

## DASH

DS01HS

Dash Handshower on Hook with Metal Handle



SHOWN IN DASH HANDSHOWER ON HOOK WITH METAL HANDLE| DSHS01

### TECHNICAL DETAILS

Adjustable versus Fixed Spray: Fixed Spray  
Diameter of Head: 60 mm  
Escutcheon Primary Material: Brass  
Fittings Hole Diameter: 35 mm  
Flow Restriction Options: 2.2, 2.0, 1.75, 1.5, 1.2, 0.92  
Handshower / Spray Hose Length: 1.5 m  
Depth / Width: 100 mm  
Height: 244 mm  
Inlet Connection Size: 1/2"  
Inlet Connection Type: Female NPT  
Installation Type: Wall Mounted  
Integrated Diverter: N  
Integrated Spray: N  
Length: 97 mm  
Pivot: N  
Primary Material: Brass  
Restricted Maximum Flow Rate: 9.5 liters/min  
Spray Included in Unit: Y  
Suggested Application: Bath  
Water Pressure Maximum: 6.0 bar  
Water Pressure Minimum: 1.5 bar  
Water Pressure Recommended: 3.0 bar

### INSPIRATION

A blend of art and function, Dash pays homage to design elements of the 1930s with pared-down shapes, softened curves and minimal details.

### PRODUCT FEATURES

Features a supply elbow with integrated hook to hold the handshower.  
Stocked in Nickel, Chrome, Unlacquered Brass, and Matte Nickel finishes  
Standard flow rate is 2.5gpm (9.5 L/min). Also available in high efficient flow options. Contact your sales associate or call 1 (800) 899-6757 for details.

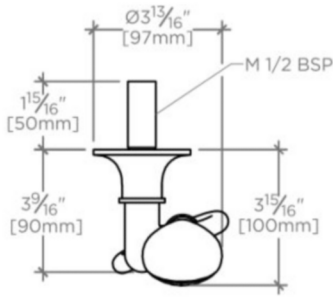
# WATERWORKS

## DASH

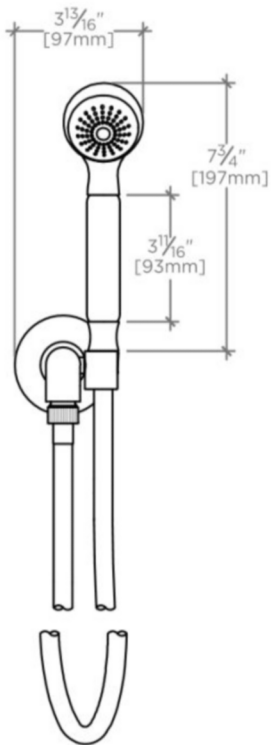
## DS01HS

Dash Handshower on Hook with Metal Handle

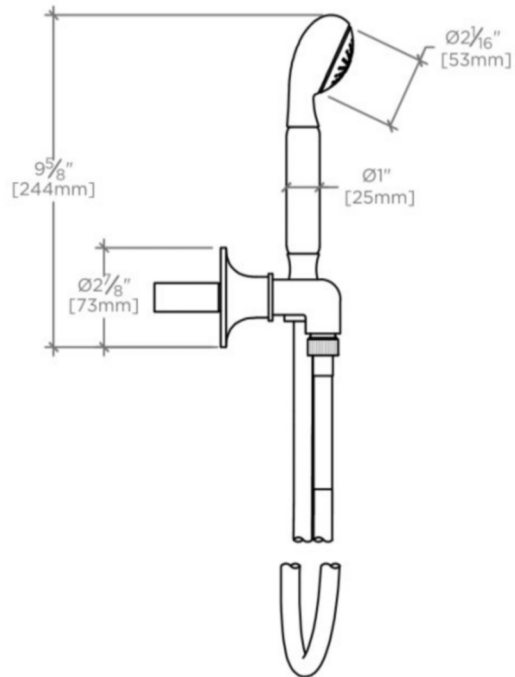
ADAPTER(S) PACKAGED SEPARATELY		
ADAPTER	DESCRIPTION	QTY
UNUK04	½" Male NPT x ½" Female BSP Nipple, 50mm Length	1



TOP VIEW SCALE: 2"=1'-0"



FRONT VIEW SCALE: 2"=1'-0"



SIDE VIEW SCALE: 2"=1'-0"