

## Simona

SA02LT

Simona Wall Mounted Single Sconce with Triple Murano Glass Diffusers



SHOWN IN SIMONA WALL MOUNTED SINGLE SCONCE WITH TRIPLE MURANO GLASS DIFFUSERS | SA02LT

### TECHNICAL DETAILS

Ambient Task: Ambient  
Depth/Width: 133 mm  
Height: 470 mm  
Installation Type: Wall Mounted  
Interior Exterior Application: Interior Only  
Length: 222 mm  
Light Direction: Omnidirectional from wall surface  
Orientation: Vertical or Horizontal  
Primary Material: Brass/Murano Glass  
Safety Warnings: Do not exceed max wattage.  
Shade Finish: Clear  
Shade Material: Glass  
Shade Shape: Rectangular  
Voltage: 240  
Wet/Dry: Damp or Dry

### INSPIRATION

Our Simona collection is handmade in Italy from strikingly thick slabs of gleaming Murano glass, each rich in naturally occurring undulations and surface movement for dramatic visual impact. Each fixture is generously scaled to provide both soft illumination and sculptural presence.

### CODES & STANDARDS

### PRODUCT FEATURES

Proprietary design

Available in Brass or Nickel with Murano Glass Diffusers

Handcrafted in Italy

Dimmable integrated LED fixture - 50,000 hours of life

Our handblown glass diffusers are individually formed by skilled glassblowers, and natural air bubbles, slight movement within the glass, and subtle variation in shape - normal and inherent to the process - enhance their beauty and ensure no two fixtures are exactly alike.

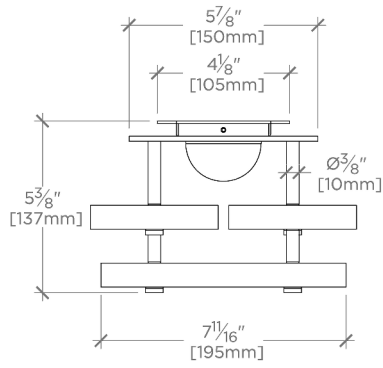
### CERTIFICATIONS

### PRODUCT (NOTES)

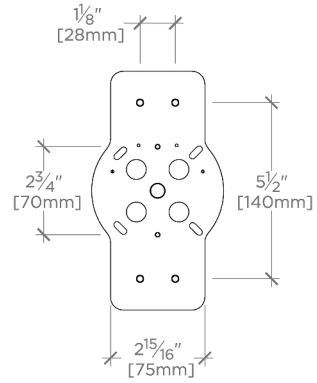
## Simona

SA02LT

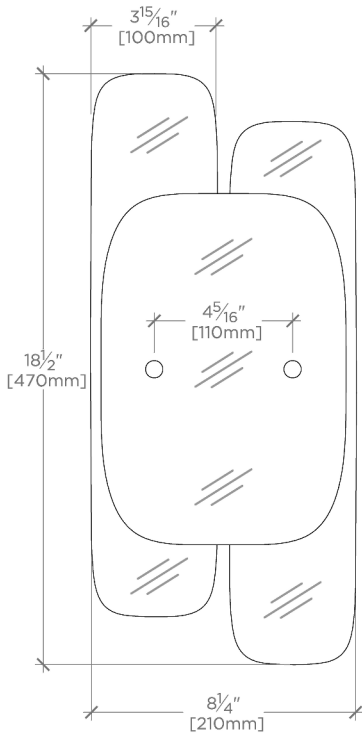
Simona Wall Mounted Single Sconce with Triple Murano Glass Diffusers



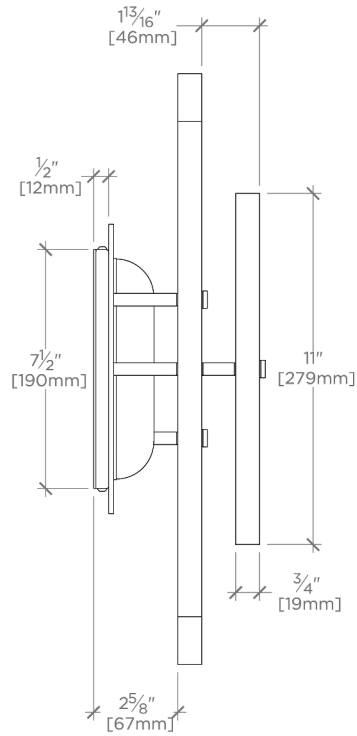
TOP VIEW SCALE: 2"=1'-0"



MOUNTING PLATE SCALE: 2"=1'-0"



FRONT VIEW SCALE: 2"=1'-0"



SIDE VIEW SCALE: 2"=1'-0"