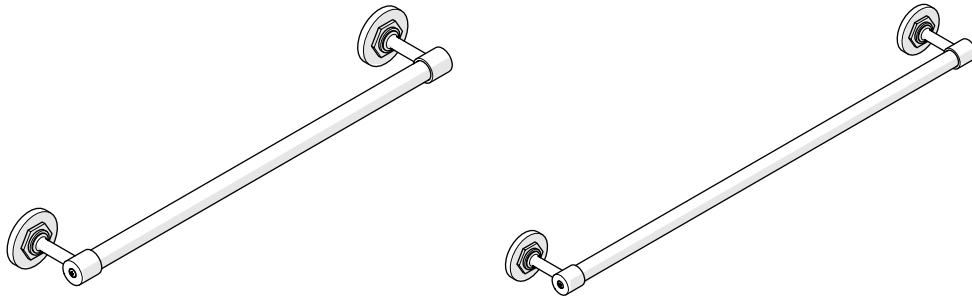


HENRY SINGLE METAL TOWEL BAR



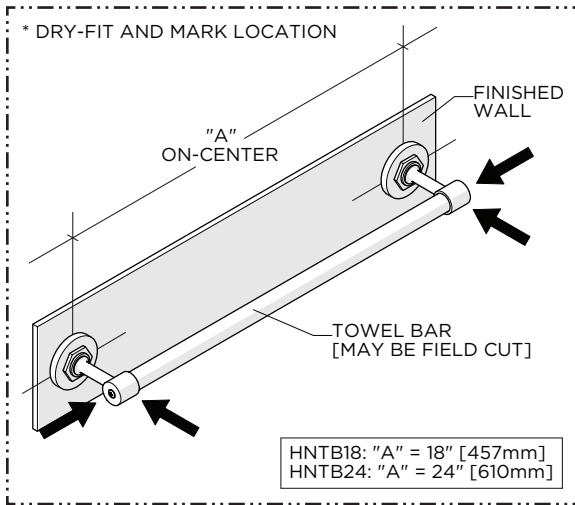
STYLES	
HNTB18	HNTB24

IMPORTANT:

- To ensure this product is installed properly, you must read and follow these guidelines.
- The owner/user of this product must keep this information for future reference.
- This product must be installed by a professional licensed contractor.
- Inspect this product to ensure you have all the parts required for proper installation.
- Use only a strap wrench or protected/smooth-jaw wrench on any finished surface.
- The mounting SCREWS and ANCHORS provided are intended for use in a typical 1/2" drywall installation.
- If further assistance is required, please contact Product Support at 1-800-927-2120 Monday through Friday, 8am - 6pm EST.
- Refer to the separate Service Parts Documents for available replacement parts.

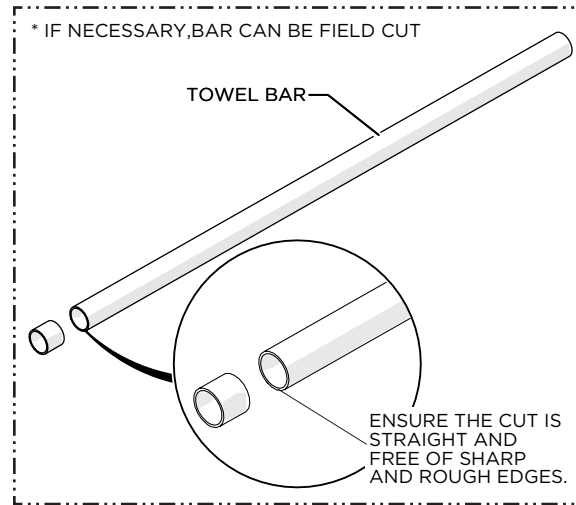
TECHNICAL DETAILS:

DETAIL	SPECIFICATION
PRIMARY MATERIAL	BRASS
TUBE DIAMETER	13/16" [20mm]



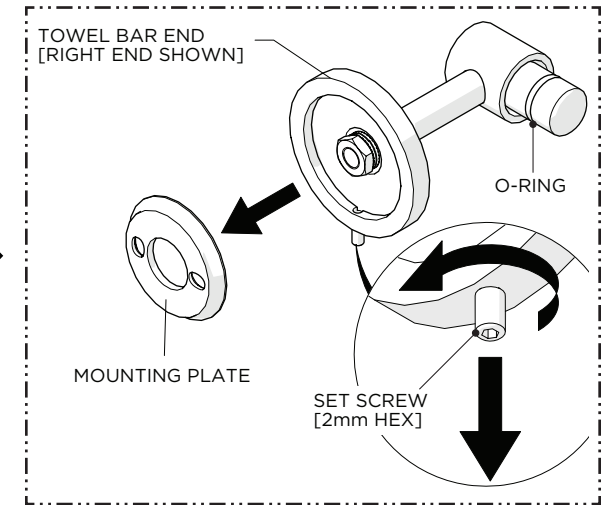
1. Dry-fit the product to the finished wall and mark the ideal location making sure to hold the product level.

NOTE: Verify the on-center spread, Dimension "A".

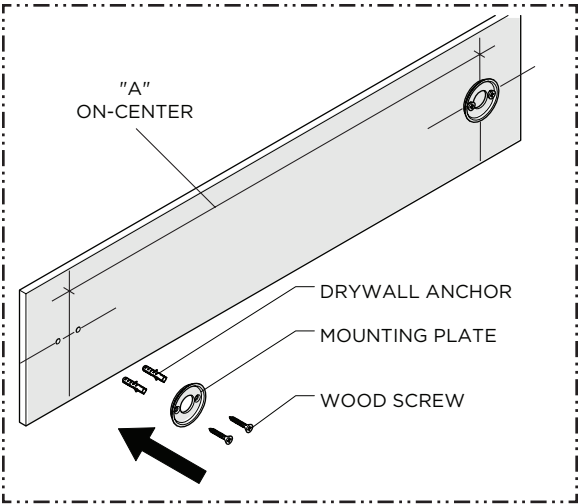


OPTIONAL: If necessary, the BAR may be field cut. Ensure

2. Cut the BAR to the desired length then repeat STEP 1, marking the new on-center spread.

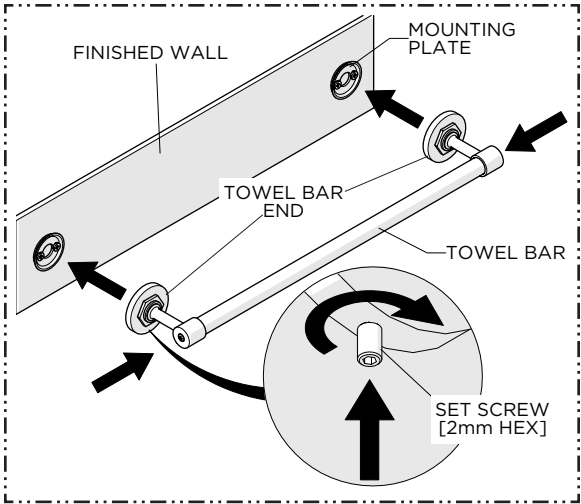
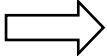


3. Loosen, but do **NOT** remove, the SET SCREW on the bottom of each TOWEL BAR END using a 2mm HEX KEY and remove the MOUNTING PLATES.



4. Using the previous marks as a reference, install the MOUNTING PLATES using the SCREWS and ANCHORS provided.

CAUTION: Ensure the MOUNTING PLATES are level and at the desired on-center spread, Dimension "A".

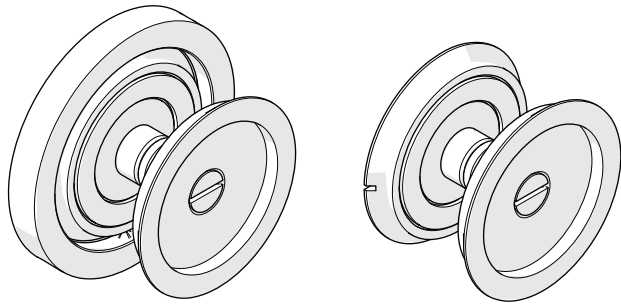


5. Holding the ENDS and BAR together, place both ENDS over the MOUNTING PLATES and securely tighten the SET SCREWS.

NOTE: The SET SCREWS should face towards the bottom.

INSTALLATION GUIDELINES

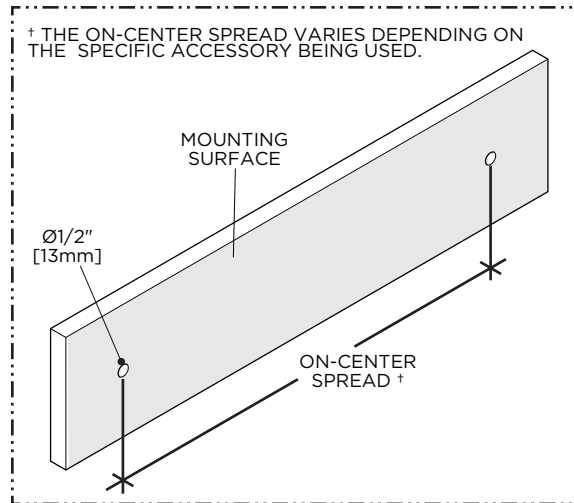
UNIVERSAL SINGLE OR DOUBLE SIDED GLASS MOUNT ADAPTER



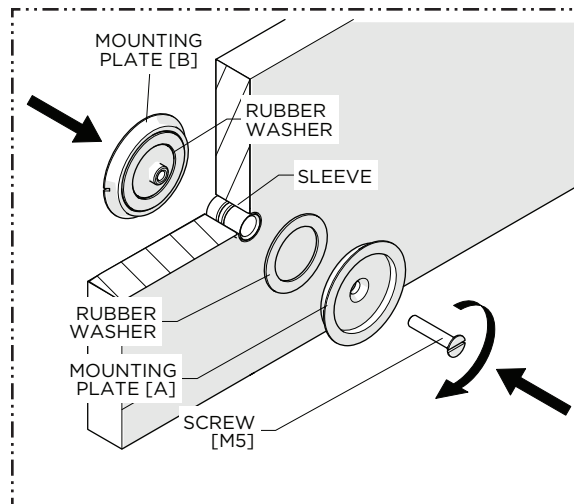
STYLES	
100725	100726

IMPORTANT:

- To ensure this product is installed properly, you must read and follow these guidelines.
- The owner/user of this product must keep this information for future reference.
- This product must be installed by a professional licensed contractor.
- This product can be installed on glass that is 1/4" [6mm], 3/8" [10mm], 1/2" [13mm], or 3/4" [19mm] thick.
- This product requires a 1/2" [13mm] hole for proper installation. If using this product with a TOWEL BAR or SHELF, verify the on-center spread of the specific product being used **before** drilling the 1/2" [13mm] holes.
- To avoid damaging the product, do NOT use power tools during installation.
- If further assistance is required, please contact Product Support at 1-800-927-2120 Monday through Friday, 8am - 6pm EST.



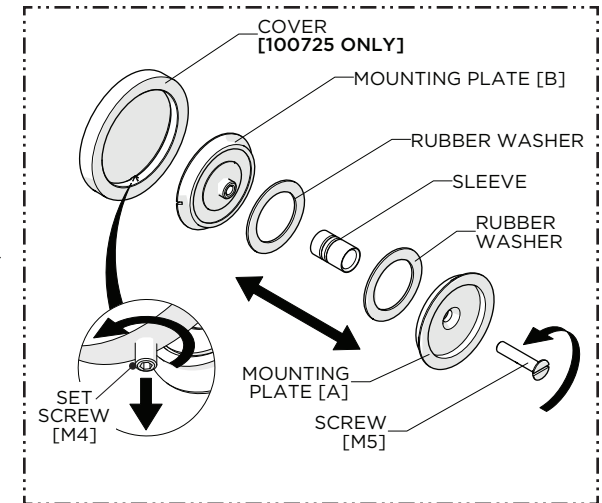
1. Ensure any pre-drilled hole is a 1/2" [13mm]. For ACCESSORIES with 2 mounting holes, ensure the holes are level and at the proper on-center spread.



3. Insert the SLEEVE into the pre-drilled hole then reassemble the ADAPTER using the SCREW provided.

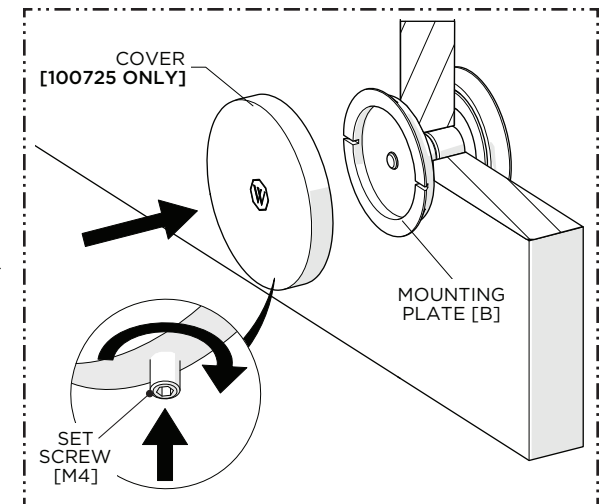
NOTE: The SLEEVE can be cut and two SCREWS [M5] are provided to accommodate different glass thicknesses.

WATERWORKS



2. Disassemble the components by unthreading the SCREW on the MOUNTING PLATE [A].

NOTE: Remove the COVER used on style number 100725 by loosening the SET SCREW.



4. If used, reattach the COVER.

➤ **FINISH THE INSTALLATION FOLLOWING THE GUIDELINES PROVIDED WITH THE ACCESSORY BEING USED. THE MOUNTING PLATE(S) PROVIDED WITH THE ACCESSORY CAN BE DISCARDED.**