

## Riverun

RRLS30

Riverun Gooseneck Lavatory Faucet with Two-Tone Lever Handles



SHOWN IN RIVERUN GOOSENECK LAVATORY FAUCET WITH TWO-TONE LEVER HANDLES | RRLS30

### TECHNICAL DETAILS

ADA Compliance: Yes  
 Deck Thickness Maximum: 46 mm  
 Deck Thickness Minimum: 6 mm  
 Drain Depth Maximum: 51 mm  
 Drain Depth Minimum: 10 mm  
 Drain Hole Diameter: 38 mm  
 Drain Style: Push-Touch  
 Fittings Hole Diameter: 35 mm  
 Flow Restriction Options: 1.2  
 Handle Spread Maximum: 305 mm  
 Handle Spread Minimum: 203 mm  
 Handle Turn Angle: Quarter Turn  
 Inlet Connection Size: 1/2"  
 Inlet Connection Type: Male with Supply Nut  
 Inlet Supply Spread Maximum: 305 mm  
 Inlet Supply Spread Minimum: 203 mm  
 Number Of Holes: Three Hole  
 Primary Material: Brass  
 Restricted Maximum Flow Rate: 4.5 liters/min  
 Spout Swivel: N  
 Valve Material: Ceramic  
 Water Pressure Maximum: 6.0 bar  
 Water Pressure Minimum: 1.5 bar  
 Water Pressure Recommended: 3.0 bar

### INSPIRATION

This new American classic was designed with simplicity in mind. Featuring streamlined forms and honest details, it's the epitome of quiet elegance.

### CODES & STANDARDS

RRLS30X, NSF/ANSI/CAN 61:Q < 1, NSF/ANSI/CAN 372, ASME A112.18.1/CSA B125.1, CEC, DOE, State of MA

### PRODUCT FEATURES

Features Two-Tone Lever Handles

Includes a Universal Push Touch Drain sized to fit US and Euro sink drain openings

Stocked in Nickel/Matte Black and Brass/Matte Black

Available in 1.2gpm (4.5L/min) flow rate

Available in 1.2gpm (4.5L/min) flow rate

### CERTIFICATIONS



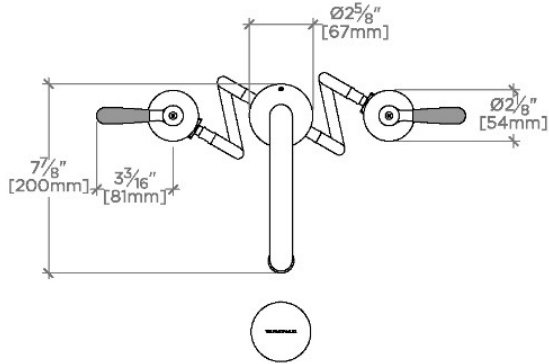
### PRODUCT (NOTES)

# WATERWORKS

## Riverun

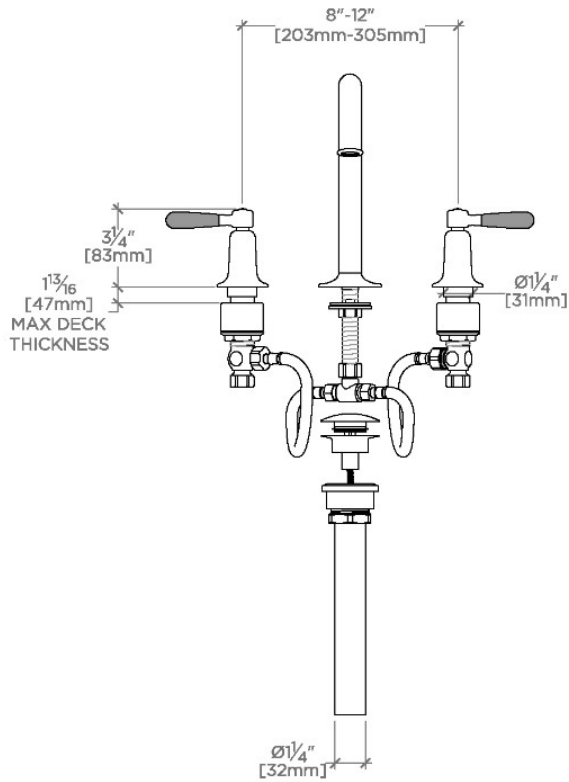
RRLS30

Riverun Gooseneck Lavatory Faucet with Two-Tone Lever Handles



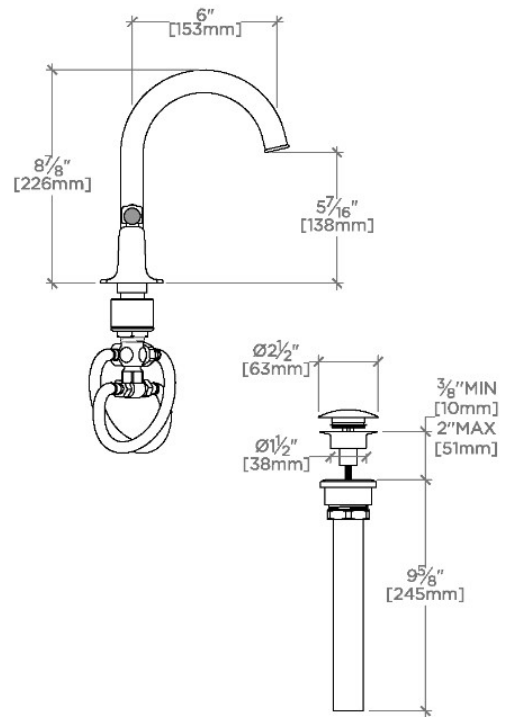
TOP VIEW

SCALE: 1 1/2"=1'-0"



FRONT VIEW

SCALE: 1 1/2"=1'-0"



SIDE VIEW

SCALE: 1 1/2"=1'-0"