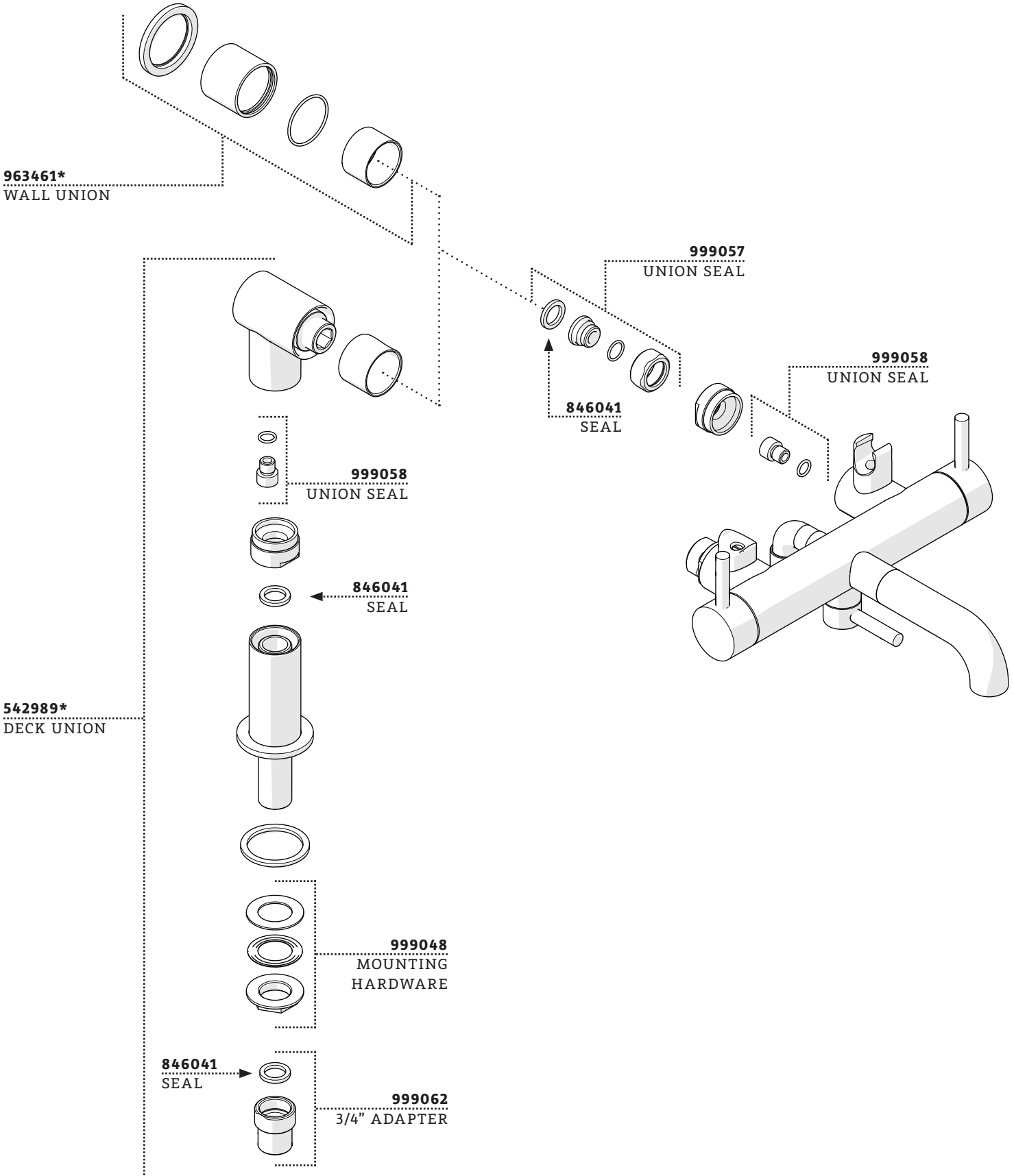
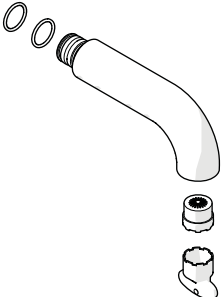


SERVICE PARTS

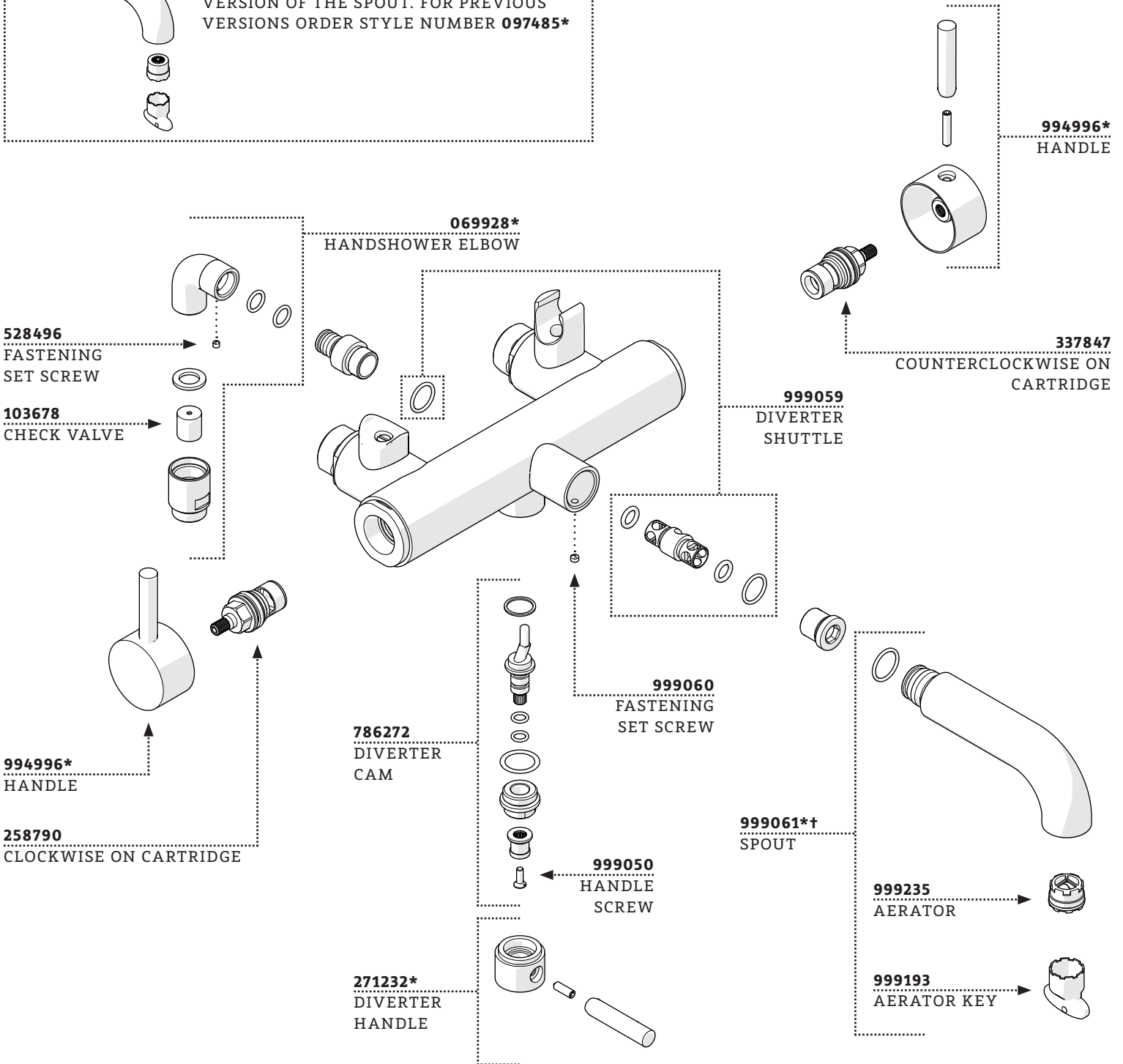


SERVICE PARTS

IMPORTANT NOTES:



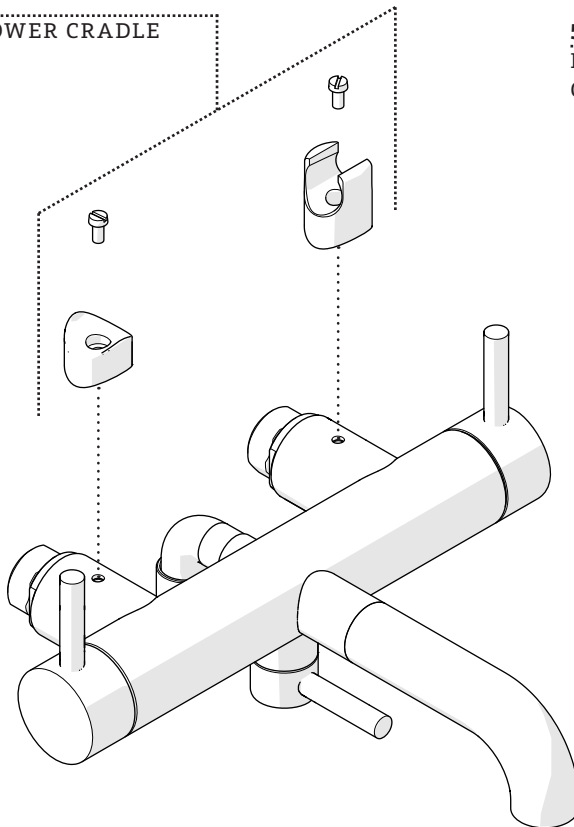
† WHEN REPLACING A SPOUT, INSPECT THE EXISTING SPOUT AND VERIFY IF THE INLET CONTAINS 1 OR 2 O-RINGS. THE PRESENCE OF 2 O-RINGS INDICATES A PREVIOUS VERSION OF THE SPOUT. FOR PREVIOUS VERSIONS ORDER STYLE NUMBER **097485***



SERVICE PARTS

989199*

HANDSHOWER CRADLE

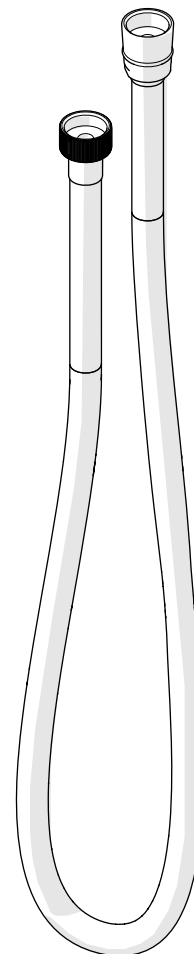


535592

FLOW REGULATING
CHECK VALVE



DBU002*
HANDSHOWER



545303*
HANDSHOWER
HOSE