

JULIA

JU39LS

Julia High Profile Three Hole Wall Mounted Lavatory Faucet with Metal Cross Handles



SHOWN IN JULIA HIGH PROFILE THREE HOLE WALL MOUNTED LAVATORY FAUCET WITH METAL CROSS HANDLES| JULS39

TECHNICAL DETAILS

ADA Compliance: Yes
 Adjustable versus Fixed Spray: Fixed Spray
 Control Valve Rough-in Depth Maximum: 92 mm
 Control Valve Rough-in Depth Minimum: 41 mm
 Drain Assembly Materials: Brass
 Drain Depth Maximum: 51 mm
 Drain Hole Diameter: 44 mm
 Drain Style: Lift and Turn
 Escutcheon Primary Material: Brass
 Flow Restriction Options: 1.5, 1.0
 Handle Spread Maximum: 203 mm
 Handle Spread Minimum: 203 mm
 Handle Turn Angle: Quarter Turn
 Index Color / Finish and Material: White Porcelain
 Depth / Width: 216 mm
 Drain Depth Minimum: 38 mm
 Height: 159 mm
 Index Marking: Hot/Cold
 Inlet Connection Size: 1/2"
 Inlet Connection Type: Male G/BSPP
 Inlet Supply Spread Maximum: 203 mm
 Inlet Supply Spread Minimum: 203 mm
 Installation Type: Wall Mounted
 Length: 267 mm
 Number of Handles: Two
 Number of Holes: Three Hole
 Primary Material: Brass
 Restricted Maximum Flow Rate: 8.3 liters/min
 Spout Swivel: Y
 Suggested Application: Bath
 Valve Material: Ceramic
 Water Pressure Maximum: 5.5 bar
 Water Pressure Minimum: 1.5 bar
 Water Pressure Recommended: 3.0 bar

INSPIRATION

An interpretation of 1920s French country, Julia speaks to decoration and intricate design displayed through beautifully composed turnings. These details embody the robust, signature high profile spout enabling Julia to transition fluidly from informal to formal environments.

CODES & STANDARDS

Code #: ASME A112.18.1 / CSA B125.1

PRODUCT FEATURES

Features signature detail of the graceful, high profile swivel spout.
 Cross handles feature hot and cold markings on white porcelain indices
 Standard flow rate is 2.2gpm (8.3 L/min) and State of California requires 1.2gpm(4.5 L/min). Also available in other flow options. Contact a sales associate for details.

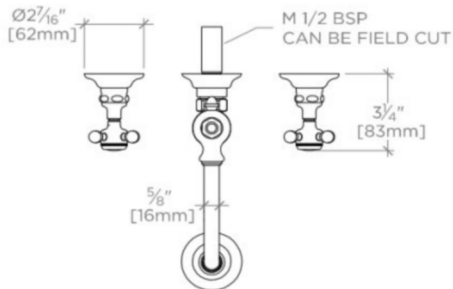
WATERWORKS

JULIA

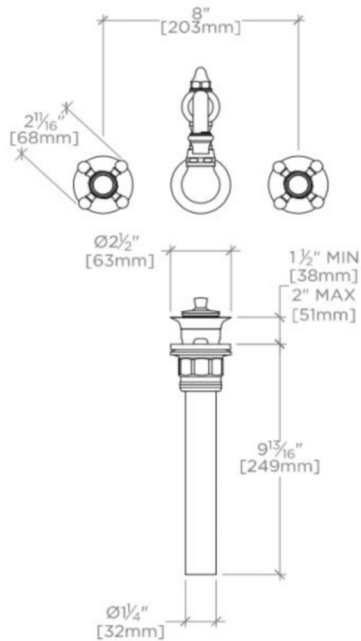
JU39LS

Julia High Profile Three Hole Wall Mounted Lavatory Faucet with Metal Cross Handles

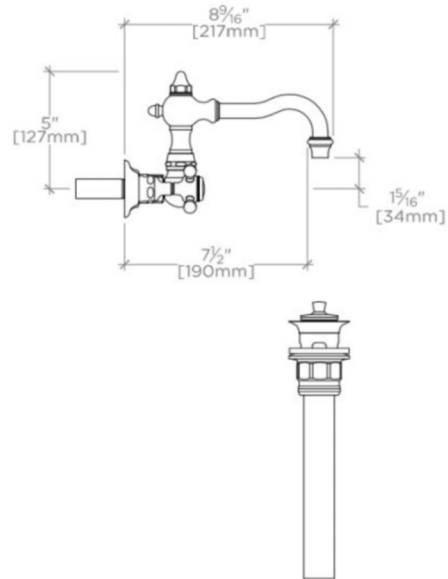
ADAPTER(S) PACKAGED SEPARATELY		
ADAPTER	DESCRIPTION	QTY
UNUK04	1/2" NPT Male x 1/2" Male Nipple 50mm Long BSP	1



TOP VIEW SCALE: 1 1/2"=1'-0"



FRONT VIEW SCALE: 1 1/2"=1'-0"



SIDE VIEW SCALE: 1 1/2"=1'-0"