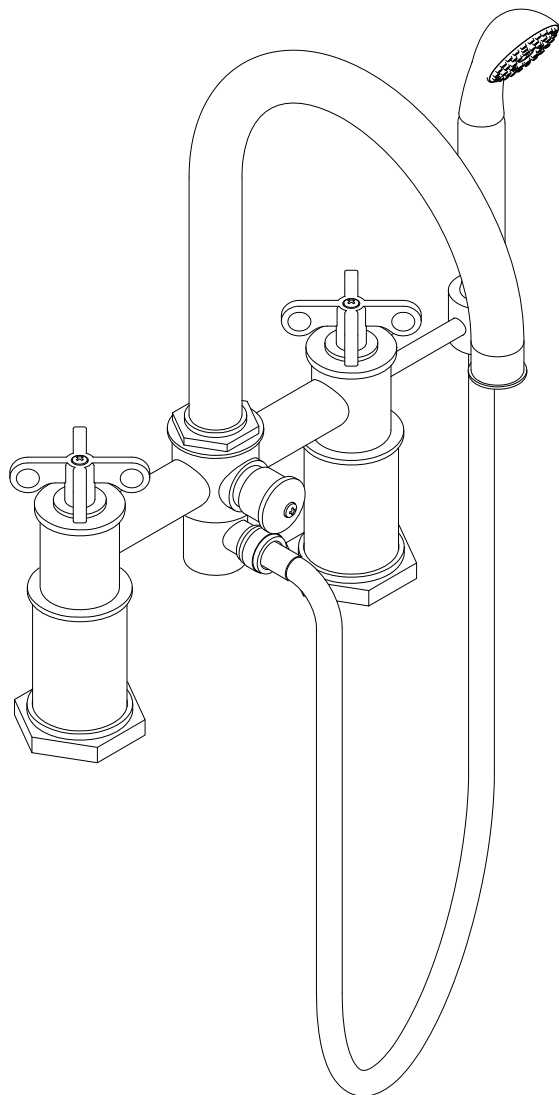


STYLE No. 982734
REFERENCE No. HNTU40



SPECIFICATIONS:

Handle Spread: 8" (NOT ADJUSTABLE)
Inlet Connection Size: $\frac{3}{4}$ "
Inlet Connection Type: Male NPT
Maximum Water Pressure: 80psi
Minimum Water Pressure: 20psi
Fittings Hole Diameter: $\frac{1}{8}$ "
Recommended Water Pressure: 45psi
Spout Reach: $8\frac{5}{16}$ "

IMPORTANT:

- To ensure this product is installed properly, you must read and follow these guidelines.
- The owner/user of this product must keep this information for future reference.

- Be sure your installation conforms to all federal, state, and local codes. Anti-scald protection is the responsibility of the installer and according to applicable codes.
- In the State of Massachusetts, all installations must comply with the rules and regulations set forth within 248 CMR.
- This product must be installed by a professional licensed contractor.
- Product should be on-site prior to rough-in. This allows the installer to visualize the installation and verify the center spread.
- Refer to the specification and assembly drawings attached. Product is sold partially assembled but shown fully disassembled for illustrative and service purposes only.
- An access panel must be installed for servicing and installation.
- Check tub measurements to assure the spout projects far enough into the tub.
- Inspect this product to ensure you have all parts required for proper installation. Do NOT use putty during this installation.
- Use only a strap wrench or protected/smooth-jaw wrench on any finished surface.
- Run $\frac{3}{4}$ " supply lines for maximum flow.
- Install accessible hot and cold service stop valves to facilitate servicing.

ROUGH-IN:

1. Run well supported $\frac{3}{4}$ " hot and cold copper supply lines for maximum water flow. The inlet supply spread is 8" on-center and is not adjustable. $\frac{1}{8}$ " drilling for the mounting holes is recommended.

TUB FILLER INSTALLATION:

2. Align the spout (12) properly and securely tighten the set screw (13). The spout should not swivel when properly installed.
3. Remove the $\frac{3}{4}$ " NPT adapter (41), the washer (33) inside the adapter, mounting nut (40) and lower deck washer (39) from each shank (34).
4. Slide the escutcheons (38) up the deck unions (35).
5. Insert the shanks into the deck, making sure the upper deck washers (36) are between the deck unions (35) and the deck.

These guidelines have been prepared for the professional contractor to aid in the installation of:
HENRY EXPOSED DECK MOUNTED TUB FILLER WITH CROSS HANDLES AND HANDSHOWER (HNTU40).
All dimensions are based on origin specification and are subject to change and variation.
Please consult your Design Associate for current specifications.

WATERWORKS

6. Reinstall the lower deck washer then the mounting nut onto each shank.
7. Apply pipe thread compound to each shank (34), insert a washer (33) into each adapter (41) and then thread the adapters onto the shanks.
8. Apply pipe thread compound onto the male end of the adapters (41) then thread them into $\frac{3}{4}$ " female NPT x sweat adapters (NOT SUPPLIED).
9. Adjust the supply line lengths as needed and complete final connections.
10. Tight the mounting nuts (40) up against the underside of the deck then slide the escutcheons (38) down the unions (35) until they contact the deck.

HANDSHOWER INSTALLATION:

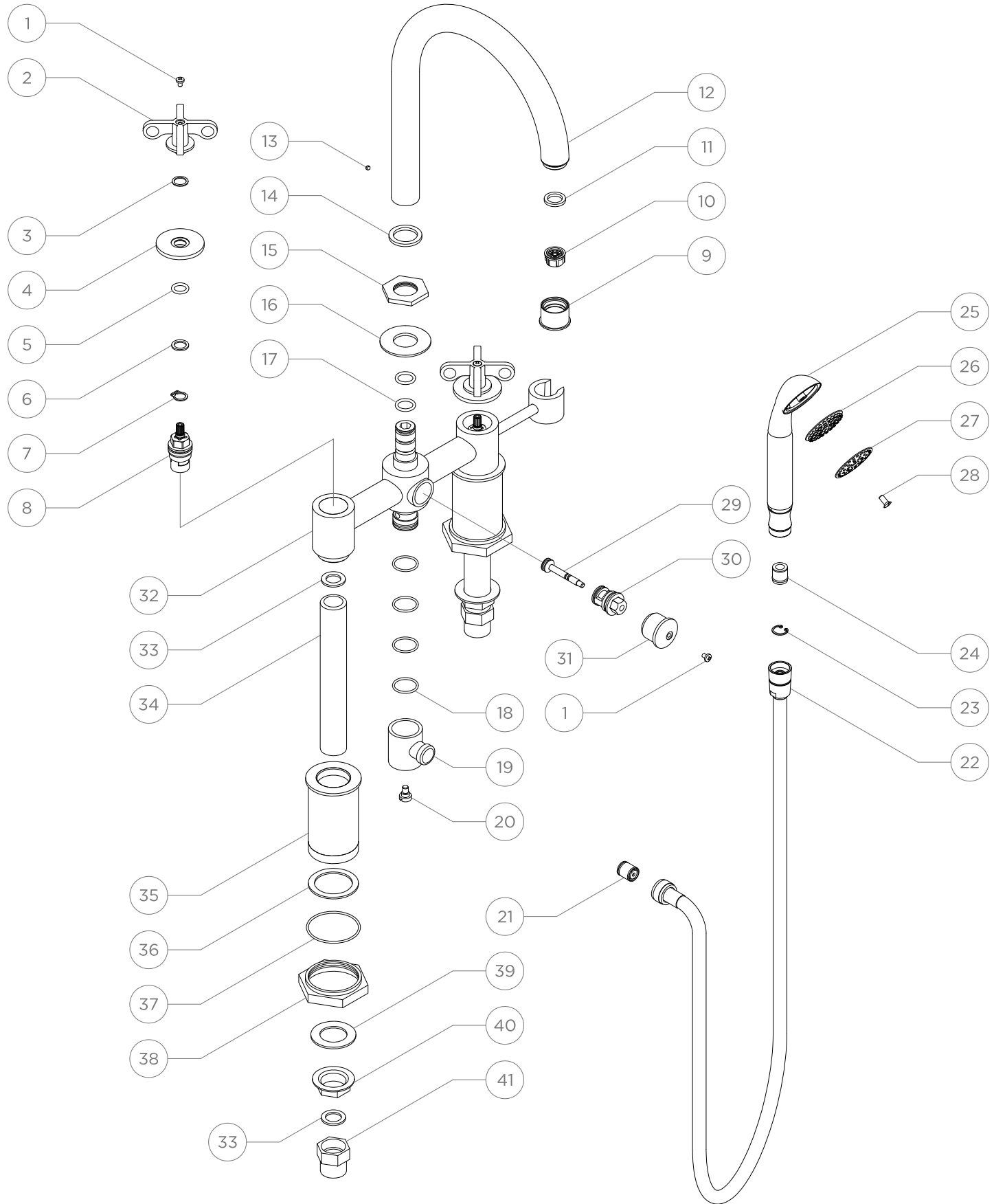
11. Connect the conical end of the handshower hose (22) to the handshower assembly (23-28). NOTE: A flow restricting check valve (24) is located in the inlet of the handshower (25).
12. Connect the hex end of handshower hose to the port (19) on the bottom of the valve body (32). NOTE: A check valve is located in the port.

INSPECT THE INSTALLATION:

13. Turn on the supplies then open the hot and cold valves to flush out any debris in the supply lines before diverting to the handshower. To divert to the handshower pull the knob (31).
 14. Carefully inspect all connections for leaks and check for proper operation.
- If further assistance is required, please contact Product Support at 1-800-927-2120 Ext. 3 (9am-6pm EST).

These guidelines have been prepared for the professional contractor to aid in the installation of:
HENRY EXPOSED DECK MOUNTED TUB FILLER WITH CROSS HANDLES AND HANDSHOWER (HNTU40).
All dimensions are based on origin specification and are subject to change and variation.
Please consult your Design Associate for current specifications.

WATERWORKS



These guidelines have been prepared for the professional contractor to aid in the installation of:
HENRY EXPOSED DECK MOUNTED TUB FILLER WITH CROSS HANDLES AND HANDSHOWER (HNTU40).
All dimensions are based on origin specification and are subject to change and variation.
Please consult your Design Associate for current specifications.

WATERWORKS

ITEM No.	DESCRIPTION	QTY.
1	Screw, Phillips Head, M4 x 0.7mm, 6mm Length	3
2	Cross Handle, Henry	2
3	Washer, 12.2mm ID x 16mm OD x 1mm Thickness, Plastic	2
4	1 7/8" Round Collar	2
5	O-Ring, 12.1mm ID x 2.7mm Width, Rubber	2
6	Washer, 12.3mm ID x 17mm OD x 1.5mm Thickness, Metal	2
7	C-Clip, Metal	2
8	Cartridge, Shut-off Valve, CW Close	2
9	Flow Straightener Housing, Tub Spouts, Henry	1
10	Flow Straightener	1
11	Washer, 15mm ID x 21.3mm OD x 2.8mm Thickness, Rubber	1
12	Spout, Gooseneck, Henry	1
13	Set Screw, Cone Point, 2mm Hex Key, M4 x 0.7mm, 4mm Length	1
14	1 5/16" Knurled Collar	1
15	1 5/8" Hex Collar	1
16	2" Round Collar	1
17	O-Ring, 15.1mm ID x 2.7mm Width, Rubber	2
18	O-Ring, 22mm ID 2mm Width, Rubber	4
19	Post, Handshower Hose, Metal	1
20	Shoulder Screw, Slotted, M6 x 1.0mm, 7mm Length	1
21	Check Valve	1
22	Hose, Handshower, Conical End, 59" Length	1
23	C-Clip, Metal	1
24	Flow Restricting Check Valve, 2.5gpm	1
25	Handshower, Straight, Henry	1
26	Nozzles, Handshower, Rubber	1
27	Face Plate, Handshower, Metal	1
28	Screw, Slotted, 11mm Length	1
29	Diverter Stem	1
30	Retaining Collar, 14mm Hex Nut, Metal	1
31	Knob, Diverter, Henry	1
32	Valve Body	1
33	Washer, 15mm ID x 24mm OD x 2mm Thickness, Rubber	4
34	3/4" Shank	2
35	Deck Union	2
36	Washer, 38mm ID x 50mm OD x 2mm Thickness, Rubber	2
37	O-Ring, 50mm ID x 2mm Width, Rubber	2
38	Escutcheon, Henry	2
39	Washer, 27.3mm ID x 45mm OD x 2mm Thickness, Rubber	2
40	Nut, Flange, 30mm Hex, Metal	2
41	3/4" NPT Adapter	2

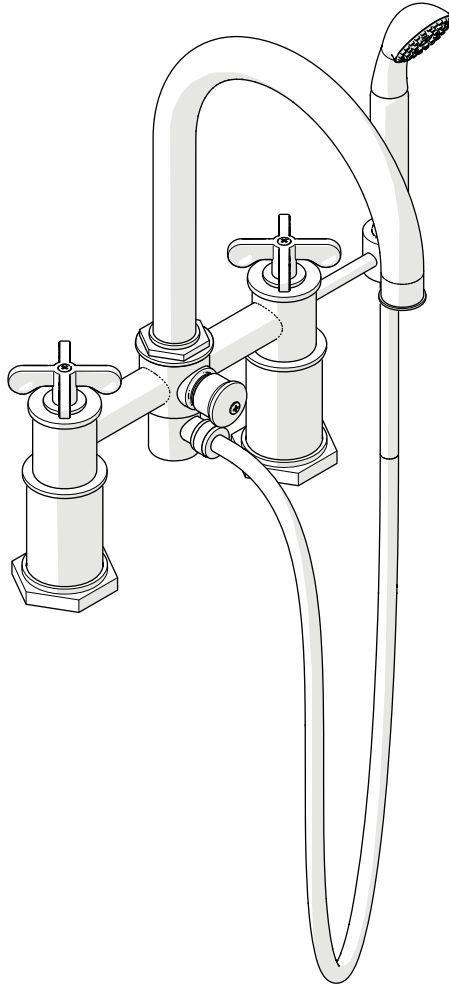
These guidelines have been prepared for the professional contractor to aid in the installation of:
HENRY EXPOSED DECK MOUNTED TUB FILLER WITH CROSS HANDLES AND HANDSHOWER (HNTU40).
 All dimensions are based on origin specification and are subject to change and variation.
 Please consult your Design Associate for current specifications.

WATERWORKS



ESTB. 1978

WATERWORKS SERVICE PARTS



STYLE HNXT40

Henry Exposed Deck Mounted Tub Filler With Metal Cross Handles and Handshower

WELCOME TO

WATERWORKS

For over three decades, Waterworks has transformed the bath through an absolute commitment to design authenticity, innovation and quality. A blend of scholarly appreciation and applied experience guarantees mechanical integrity, meticulous craftsmanship, and timeless designs.

**TO ORDER PARTS CALL
1 (800) 927-2120 (EXT 2)**

Order by part number and specify color, finish, or other options if required.

PRODUCT SUPPORT

Our Product Support team provides troubleshooting and technical problem resolution, including replacement parts and installation recommendations throughout the life of your product.

Product Support is available Monday through Friday, 8AM-6PM EST.

**LIMITED LIFETIME
WARRANTY**

Our warranty covers repair and replacement of Waterworks products if within the applicable coverage period and deemed defective by Waterworks. Waterworks will, at its option, repair or replace such products; this does not include installation costs, labor charges, or other incidental or consequential costs.

To obtain your complete warranty or inquire about warranty service, please visit us at www.waterworks.com or contact our Product Support Team.



ESTB. 1978

WATERWORKS

MAIN KITS

STYLES: HNXT40

*FINISH/COLOR MUST BE SPECIFIED WHEN ORDERING
++SUPPLIED AS A PAIR

103670*
SPOUT

103669*
CROSS HANDLE

103669*
CROSS HANDLE

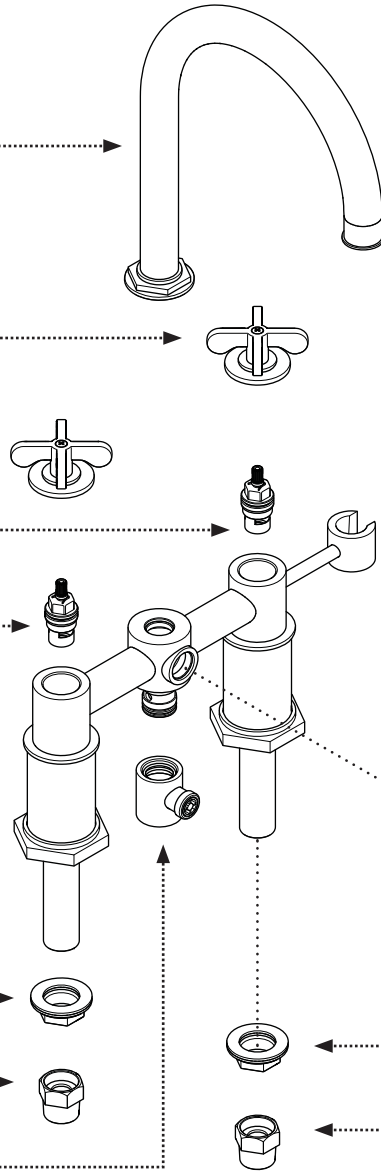
337847
COUNTERCLOCKWISE ON CARTRIDGE

337847
COUNTERCLOCKWISE ON CARTRIDGE

103471
MOUNTING HARDWARE

028711
3/4" ADAPTER

103679*
HANDSHOWER ELBOW



103675*
SPRAY

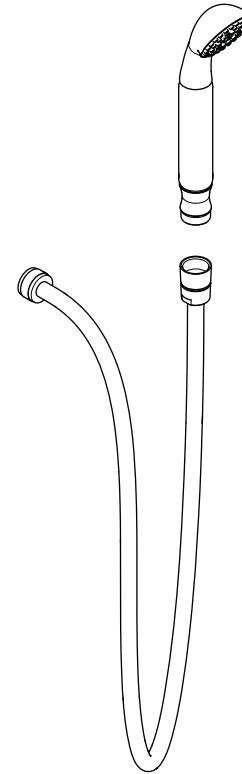
103548*
HANDSHOWER HOSE

103674*
DIVERTER

103673*
DIVERTER HANDLE

103471
MOUNTING HARDWARE

028711
3/4" ADAPTER



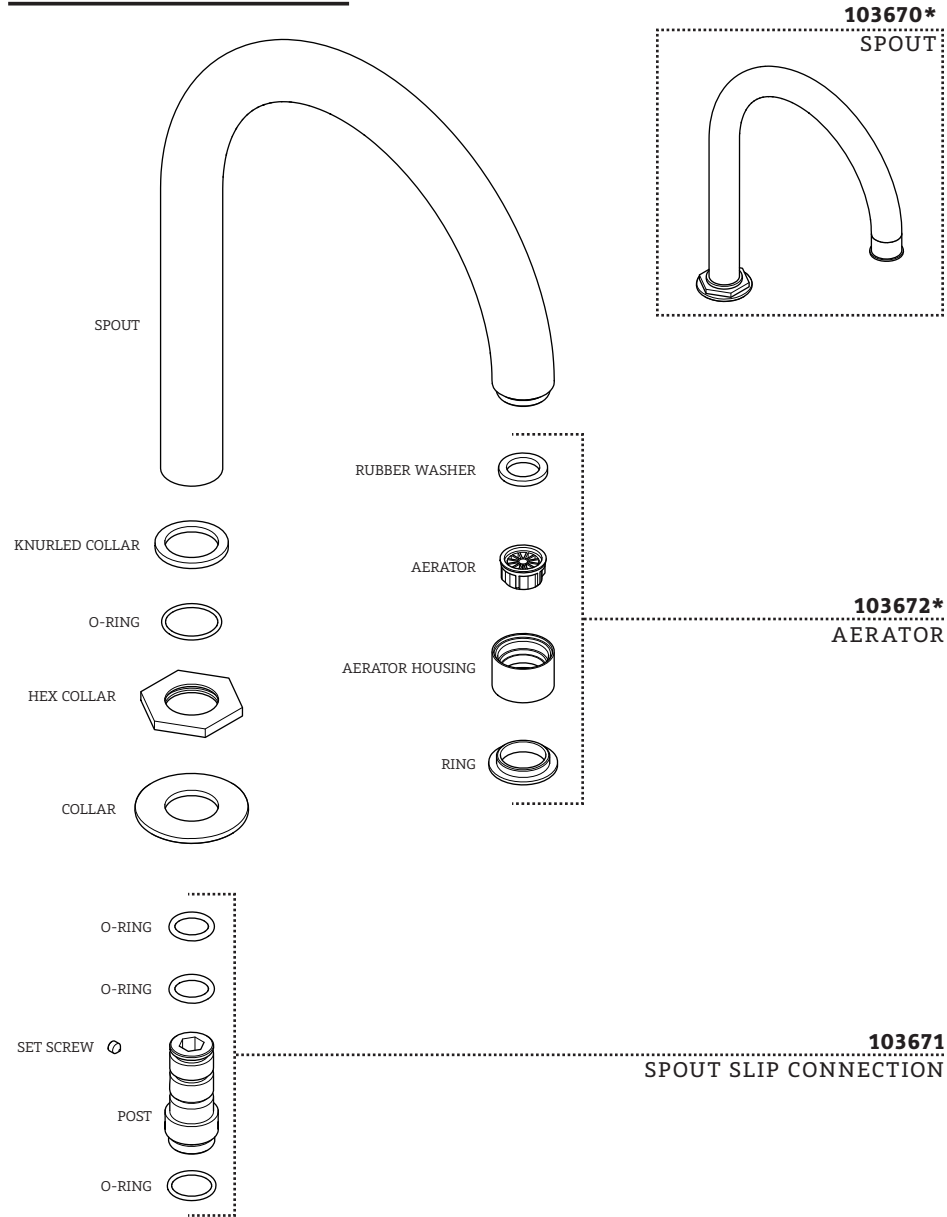


ESTB. 1978

WATERWORKS

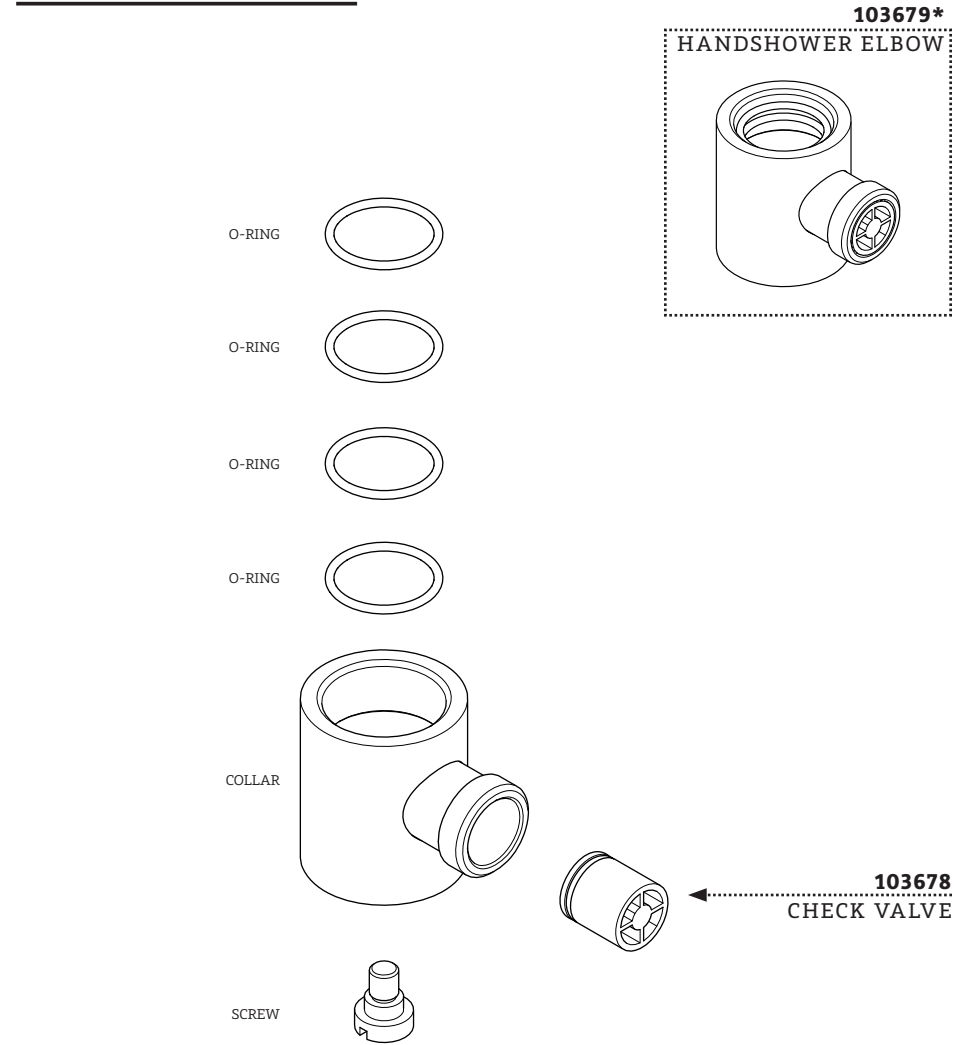
KIT COMPONENTS

STYLES: **HNXT40**



*FINISH/COLOR MUST BE SPECIFIED WHEN ORDERING
++SUPPLIED AS A PAIR

KIT COMPONENTS



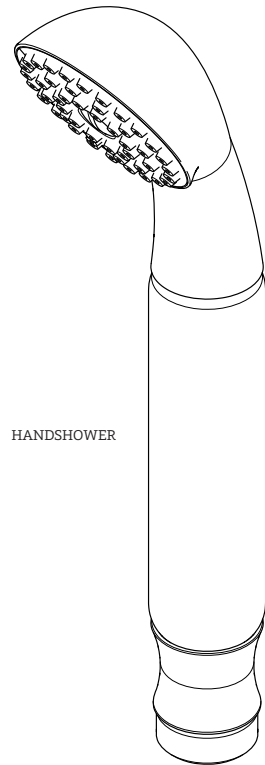


ESTB. 1978

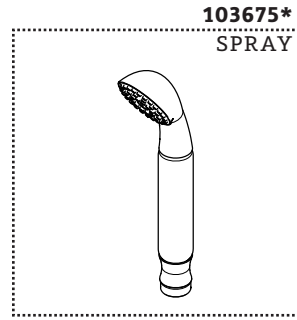
WATERWORKS

KIT COMPONENTS

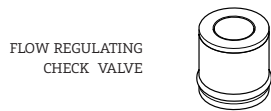
STYLES: HNX40



HANDSHOWER



103675*
SPRAY



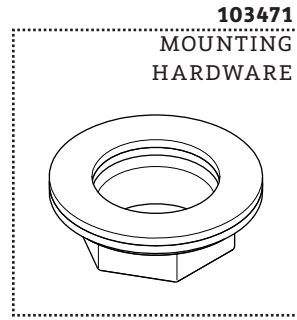
FLOW REGULATING
CHECK VALVE



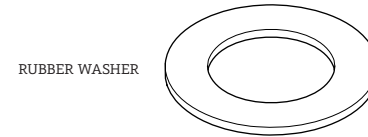
CLIP

*FINISH/COLOR MUST BE SPECIFIED WHEN ORDERING
++SUPPLIED AS A PAIR

KIT COMPONENTS



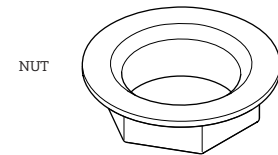
103471
MOUNTING
HARDWARE



RUBBER WASHER



PLASTIC WASHER



NUT



ESTB. 1978

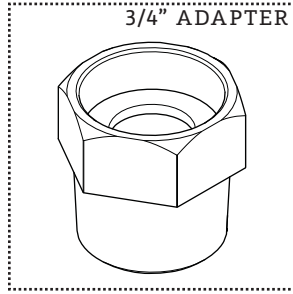
WATERWORKS

KIT COMPONENTS

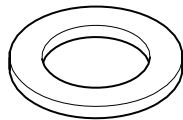
STYLES: HNXT40

028711

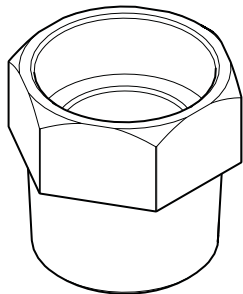
3/4" ADAPTER



RUBBER WASHER



ADAPTER



*FINISH/COLOR MUST BE SPECIFIED WHEN ORDERING
++SUPPLIED AS A PAIR

SERVICE PARTS INDEX

<u>STYLE</u>	<u>DESCRIPTION</u>	<u>PG</u>
028711	3/4" ADAPTER	8
103672*	AERATOR	4
103678	CHECK VALVE	5
337847	COUNTERCLOCKWISE ON CARTRIDGE	2
103669*	CROSS HANDLE	2
103674*	DIVERTER	3
103673*	DIVERTER HANDLE	3
103679*	HANDSHOWER ELBOW	5
103548*	HANDSHOWER HOSE	3
103471	MOUNTING HARDWARE	7
103670*	SPOUT	4
103671	SPOUT SLIP CONNECTION	4
103675*	SPRAY	6

DOCUMENT: SPHN16_REV01



ESTB. 1978

WATERWORKS

PRODUCT SUPPORT

60 BACKUS AVENUE
DANBURY, CT 06810

1 (800) 927-2120 (EXT 2)

WWW.WATERWORKS.COM