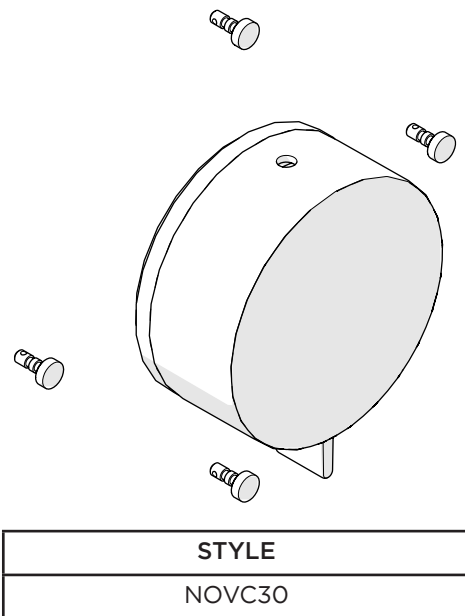


# INSTALLATION GUIDELINES

## VOLUME AND DIVERTER CONTROL TRIM

### FINOT VOLUME AND DIVERTER CONTROL TRIM WITH DIAL KNOB HANDLE



#### IMPORTANT:

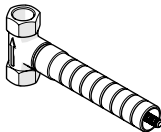

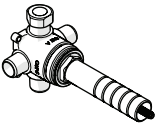
- **ALL VALVES AND TRIMS SOLD SEPARATELY.**
- To ensure this product is installed properly, you must read and follow these guidelines.
- The owner/user of these products must keep this information for future reference.
- These products must be installed by a professional licensed contractor and must be on-site prior to rough-in. This allows the installer to visualize the installation.
- Refer to the Installation Guidelines provided with each VALVE for complete rough-in installation details and related information.
- Be sure your installation conforms to all federal, state, and local codes. In the State of Massachusetts, all installations must comply with the rules and regulations set forth within 248 CMR.
- These products are sold partially assembled but shown fully disassembled for illustrative and service purposes only. Inspect these products to ensure you have all the parts required for proper installation.
- Use only a strap wrench or protected/smooth-jaw wrench on any finished surface.

- The use of certain plumber's putty may stain stone or tile surfaces.
- If further assistance is required, please contact Product Support at 1-800-927-2120 Monday through Friday, 8am - 6pm EST.
- Refer to the separate Service Parts Documents for available replacement parts.

#### VALVE FUNCTION:

- In a Thermostatic Shower System, **VOLUME CONTROL VALVES** controls on/off/volume and must be installed for each fitting that will have water flowing to it or a **DIVERTER VALVE WITH SHUT-OFF** for multiple fittings.
- In a Pressure Balance Shower System, a **DIVERTER VALVE WITHOUT SHUT-OFF** must be installed for multiple fittings.

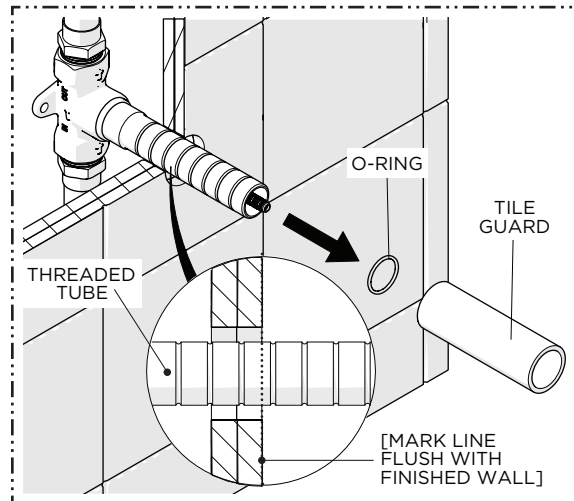
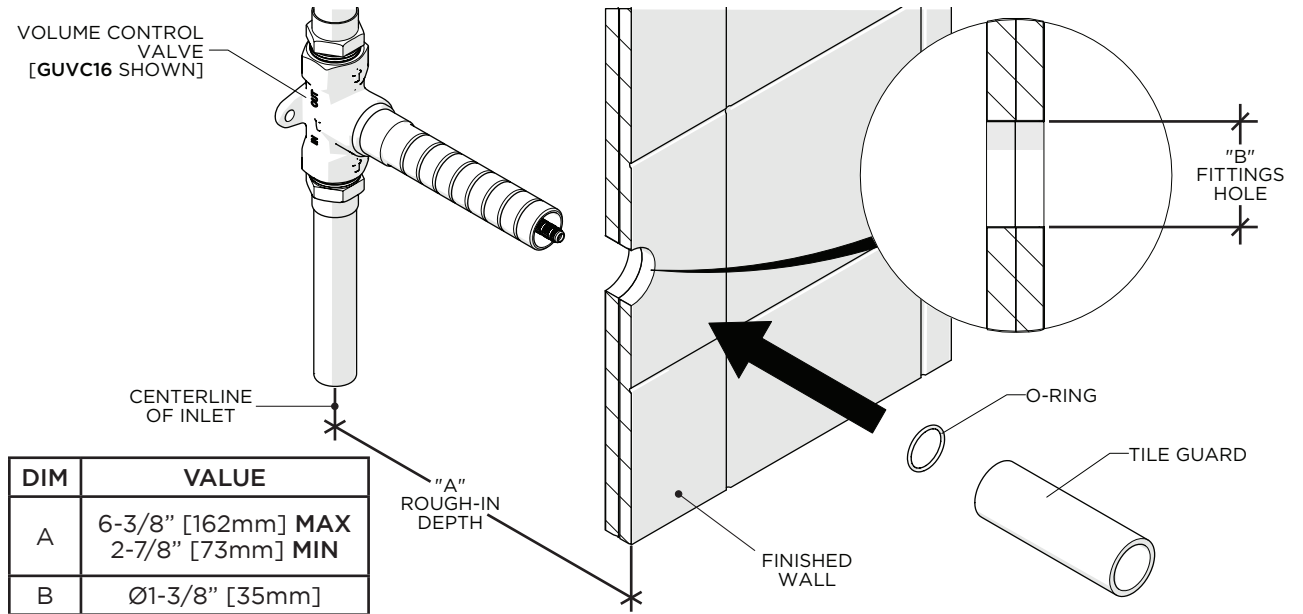
#### REQUIRED PLUMBING DETAILS:

		STYLE	NUMBER OF OUTLETS	INLET/OUTLET CONNECTIONS
VOLUME CONTROL VALVE		GUVC18	1	1/2" FEMALE NPT
		GUVC19		
		GUVC16	1	3/4" FEMALE NPT
		GUVC17		
2 WAY DIVERTER VALVE		GUDV2T [SHOWN]	2 [WITH SHUT-OFF]	1/2" MALE NPT
		GUDV2P	2 [WITHOUT SHUT-OFF]	
3 WAY DIVERTER VALVE		GUDV3T	3 [WITH SHUT-OFF]	
		GUDV3P	3 [WITHOUT SHUT-OFF]	

# INSTALLATION GUIDELINES

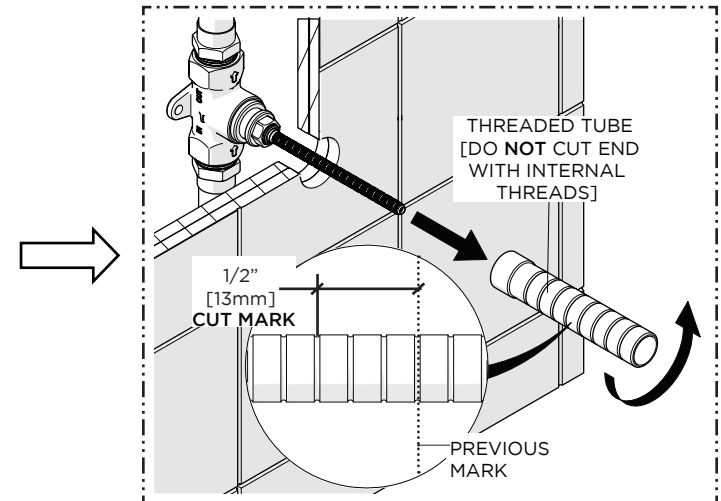
## VOLUME CONTROL TRIM WITH GUV16/17/18/19

- **CAUTION:** The rough-in depth is measured from the centerline of the inlets to the surface of the finished wall. If the VALVE is roughed-in too shallow, the TRIM cannot be installed correctly.
- Remove and discard the TILE GUARD only when the finished wall surface (TILE or SLAB) is completed and the TRIM is ready for installation.



1. Remove the TILE GUARD when ready to install the TRIM then mark the THREADED TUBE where it protrudes past the finished wall.

**NOTE:** A straight edge (not supplied) can be used to mark the TUBE.

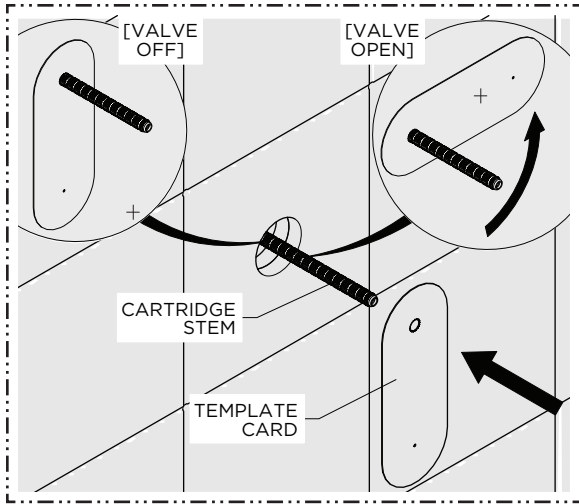


2. Remove the THREADED TUBE then cut it 1/2" [13mm] behind the previous mark so the TUBE will be 1/2" [13mm] below or recessed into the finished wall surface.

# INSTALLATION GUIDELINES

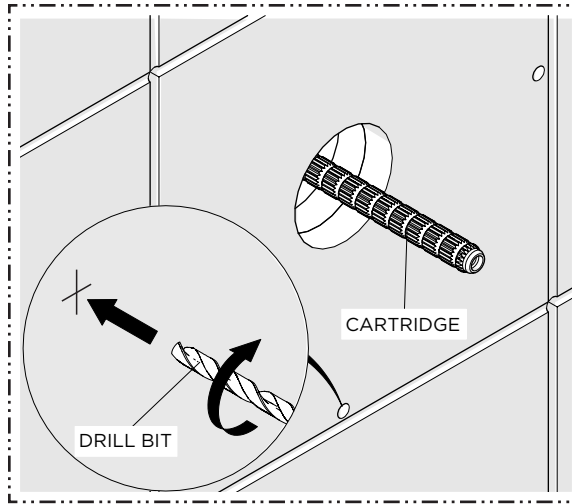
## VOLUME CONTROL TRIM WITH GUVC16/17/18/19

# WATERWORKS

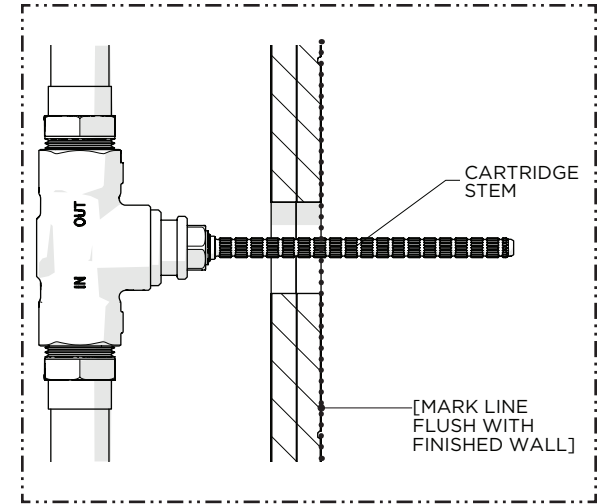


3. With the VALVE in the off position, slide the TEMPLATE onto the STEM. Mark the 1st PIN HOLE location then rotate the STEM to the full open position and mark the 2nd hole location.

**NOTE:** The recommended hole location when the VALVE is turned off is 6 o'clock.

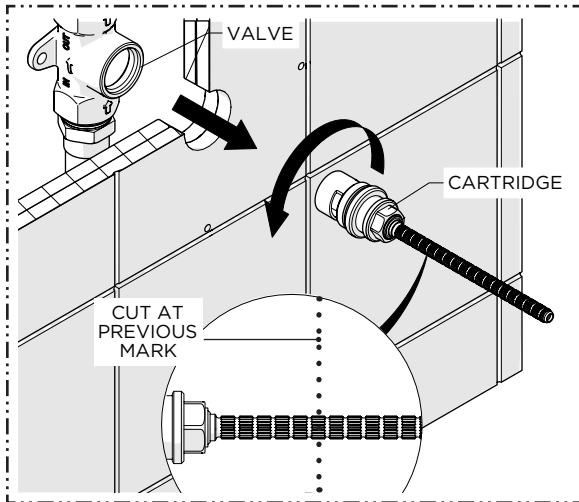


4. Using the previous marks as a reference, carefully drill the holes into the finished wall using the DRILL BIT provided.

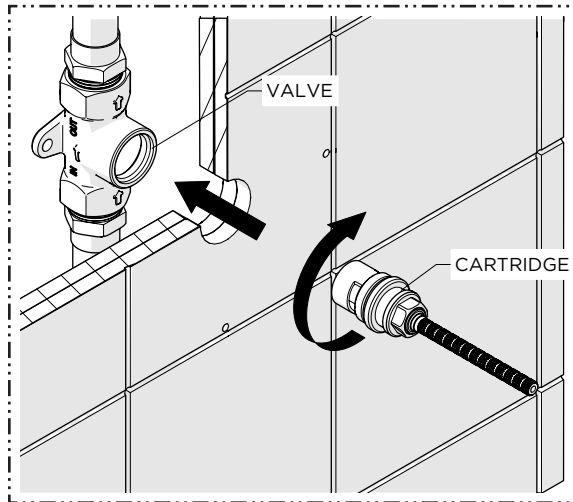


5. Mark the CARTRIDGE STEM where it protrudes past the finished wall.

**NOTE:** A straight edge (not supplied) can be used to mark the CARTRIDGE STEM.

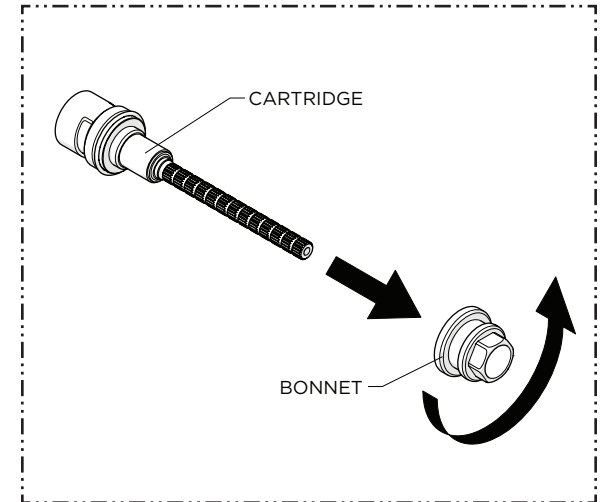


6. Remove the CARTRIDGE using a 21/32" [17mm] shower valve socket wrench (not supplied) then cut the CARTRIDGE STEM at the previous mark.



**GUVC18 & GUVC19 ONLY:**

7. Thread and securely tighten the CARTRIDGE back into the VALVE.



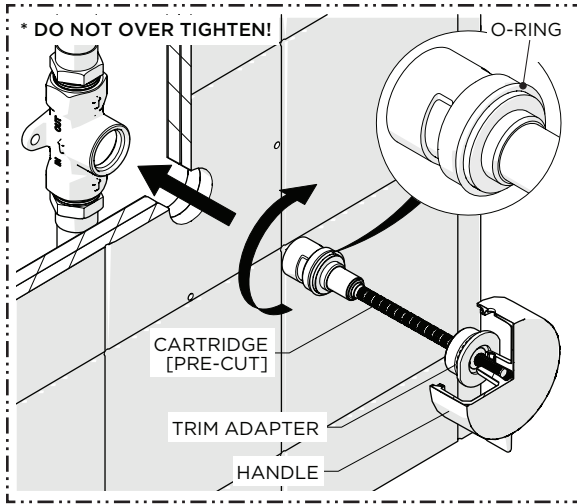
**STEPS 8 - 12 GUVC16 & GUVC17 ONLY: HANDLE ALIGNMENT.**

8. After cutting the CARTRIDGE STEM, unthread the BONNET from the CARTRIDGE if not already disassembled when removing from the VALVE.

# INSTALLATION GUIDELINES

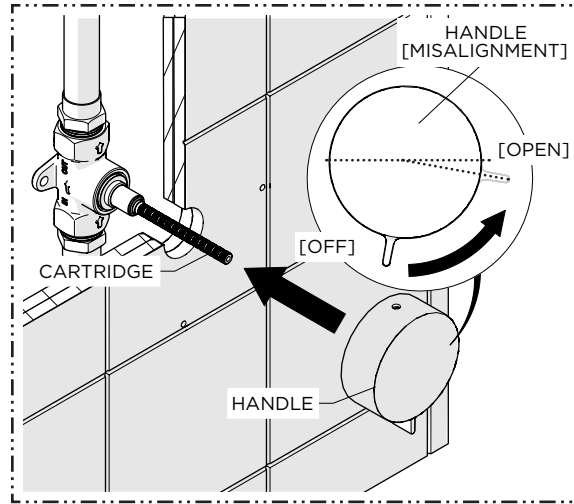
## VOLUME CONTROL TRIM WITH GUVVC16/17/18/19

# WATERWORKS

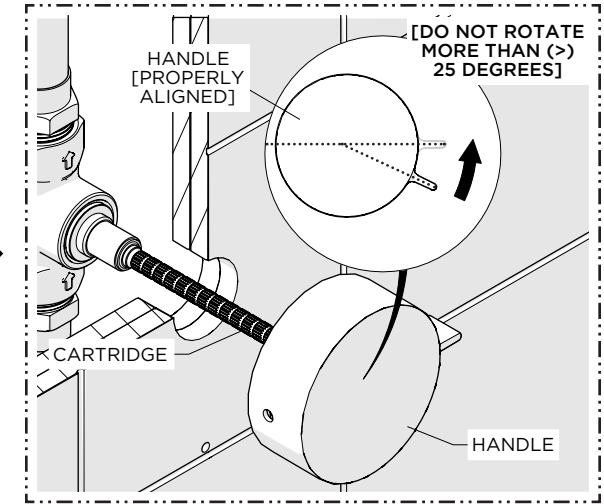


9. Using the HANDLE and TRIM ADAPTER thread the CARTRIDGE back into the VALVE until there is **NOTICEABLE** resistance.

**NOTE:** Ensure the O-RING on the CARTRIDGE has not been damaged and is properly seated.

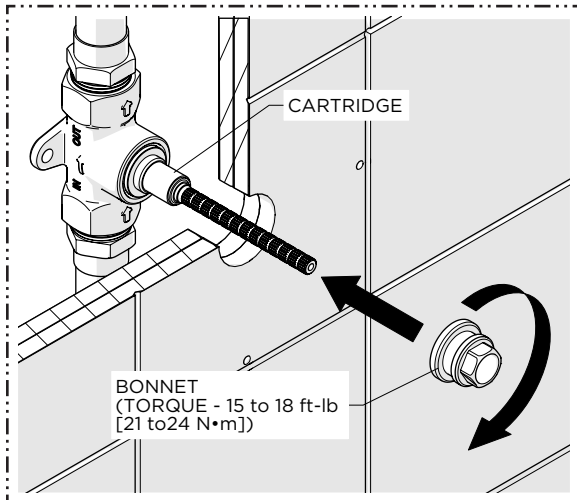


10. Remove and replace the HANDLE and TRIM ADAPTER to position them as close as possible to the "OFF" position then turn the HANDLE a 1/4 turn to the "OPEN" position making sure **NOT** to unthread the CARTRIDGE.



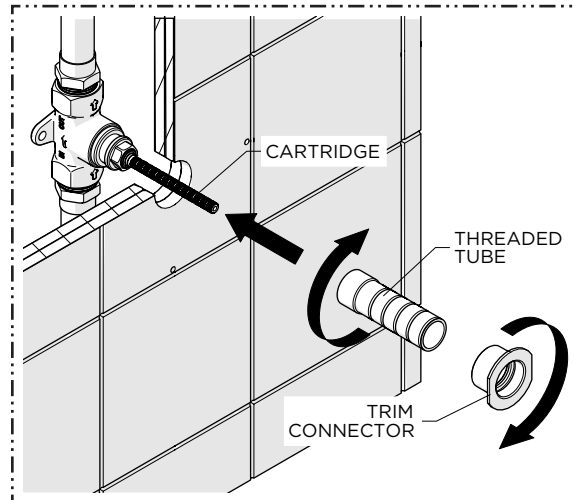
11. If needed, carefully continue to rotate the HANDLE counter-clockwise to obtain the proper alignment. Do **NOT** rotate/unthread the CARTRIDGE more than 25 degrees.

**NOTE:** Repeat Steps 9 & 10 if the CARTRIDGE is unthreaded too far.

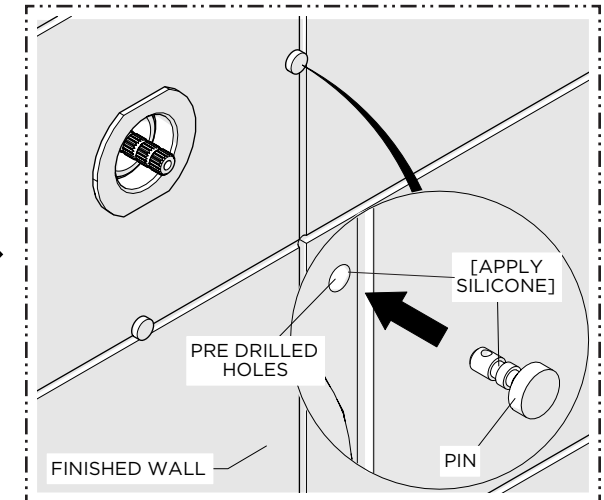


12. Remove the HANDLE then thread and securely tighten the BONNET back onto the CARTRIDGE.

**NOTE:** The BONNET requires a torque between 15 and 18 ft-lb [21-24 N•m].



13. Thread and securely tighten the THREADED TUBE back onto the CARTRIDGE until snug then thread the TRIM CONNECTOR onto the THREADED TUBE until snug.

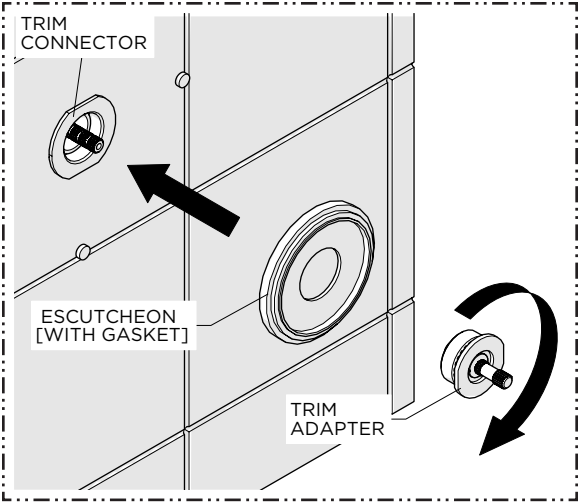


14. A SILICONE SEALANT is provided. Apply an appropriate amount of SEALANT into the pre-drilled holes and the PINS then insert the PINS into the holes until flush with the finished wall. Wipe away any excess SEALANT.

**NOTE:** Replacement PINS (STYLE No. NVC4PK) can be ordered separately.

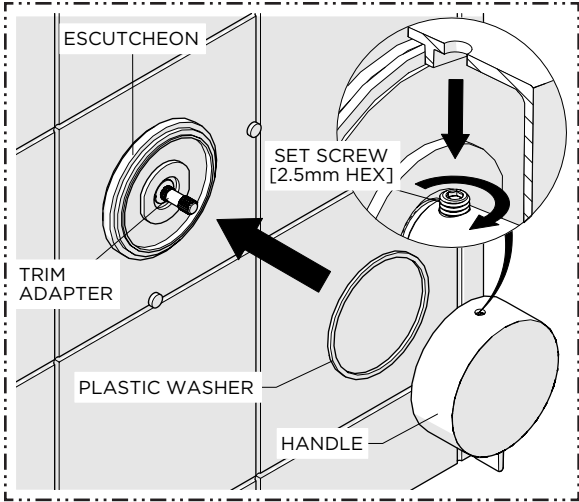
# INSTALLATION GUIDELINES

## VOLUME CONTROL TRIM WITH GUVVC16/17/18/19



15. Hold the ESCUTCHEON against the finished wall then thread the TRIM ADAPTER into the TRIM CONNECTOR until snug.

**NOTE:** A GASKET for the ESCUTCHEON is provided to ensure a water-tight seal.

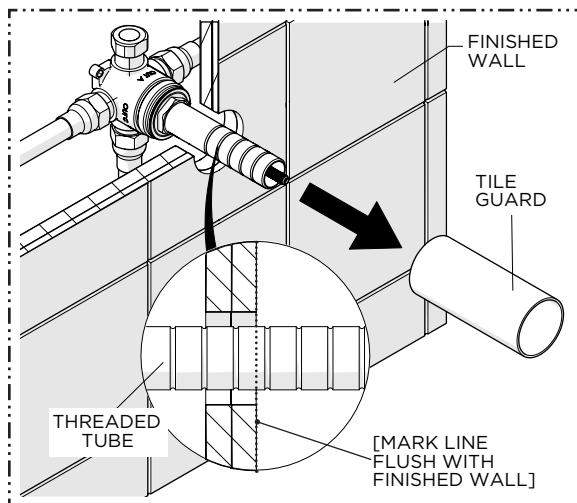
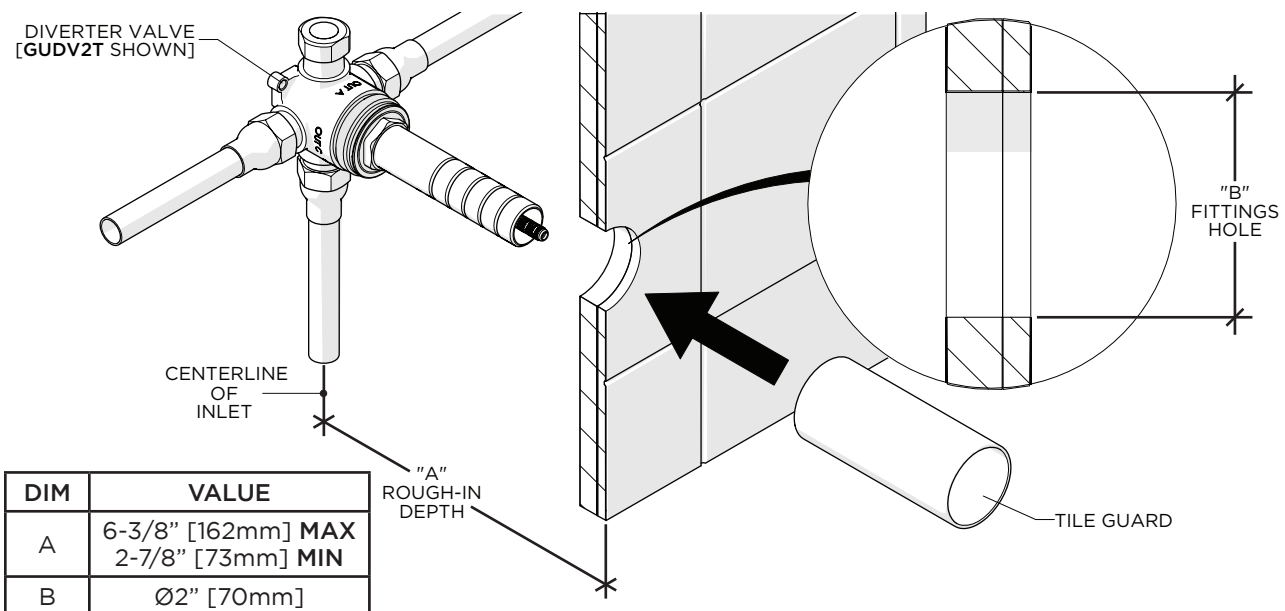


16. Slide the PLASTIC WASHER onto the ESCUTCHEON then place the HANDLE onto the TRIM ADAPTER. Ensure the HANDLE is fully seated and properly aligned with the PINS then thread and securely tighten the SET SCREW.

# INSTALLATION GUIDELINES

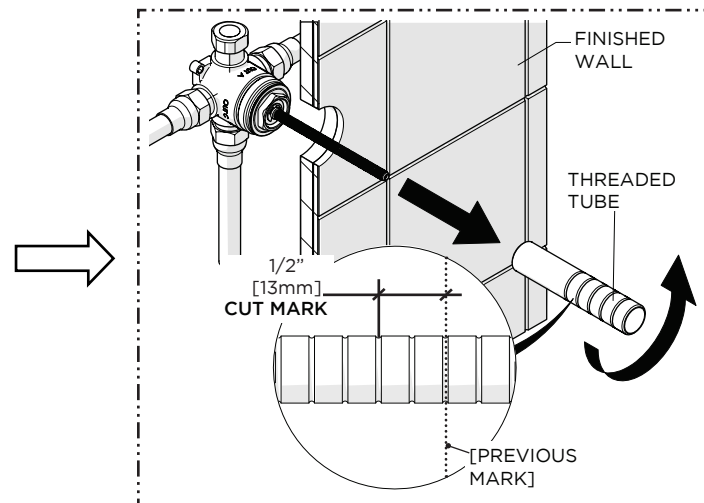
## DIVERTER TRIM WITH GUDV2P/3P/2T/3T

- **CAUTION:** The rough-in depth is measured from the centerline of the inlets to the surface of the finished wall. If the VALVE is roughed-in too shallow, the TRIM cannot be installed correctly.
- Remove and discard the TILE GUARD only when the finished wall surface (TILE or SLAB) is completed and the TRIM is ready for installation.



1. Remove the TILE GUARD when ready to install the TRIM then mark the THREADED TUBE where it protrudes past the finished wall.

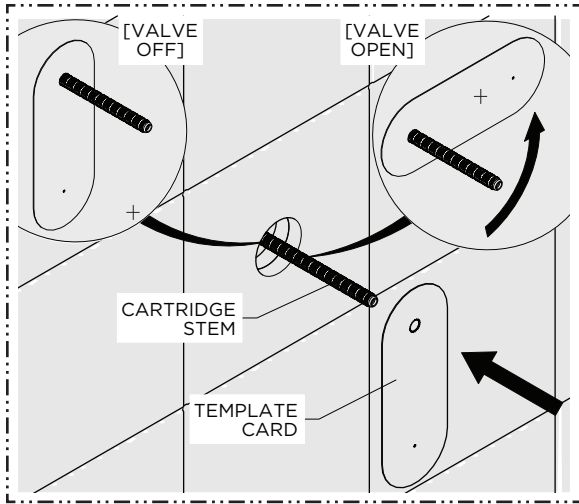
**NOTE:** A straight edge (not supplied) can be used to mark the TUBE.



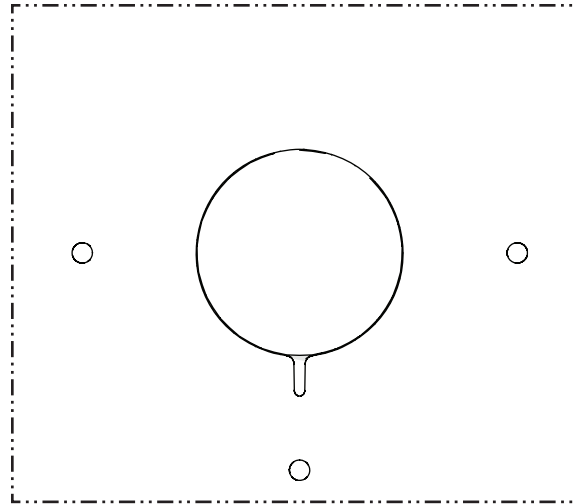
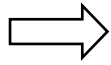
2. Remove the THREADED TUBE then cut it 1/2" [13mm] behind the previous mark so the TUBE will be 1/2" [13mm] below or recessed into the finished wall surface.

# INSTALLATION GUIDELINES

## DIVERTER TRIM WITH GUDV2P/3P/2T/3T



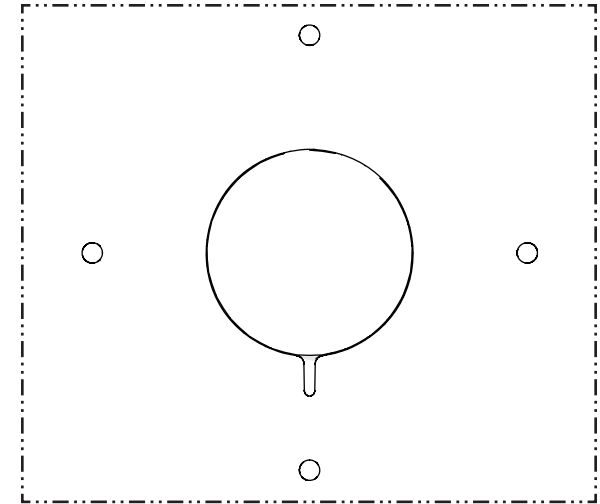
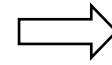
3. Slide the TEMPLATE onto the STEM at the 3 o'clock position. Mark the 1st PIN HOLE location then rotate the STEM through the various VALVE positions and mark the additional hole locations.



### GUDV2T ONLY:

4. The recommended hole locations are 3, 6, and 9 o'clock with 6 o'clock being the off position.

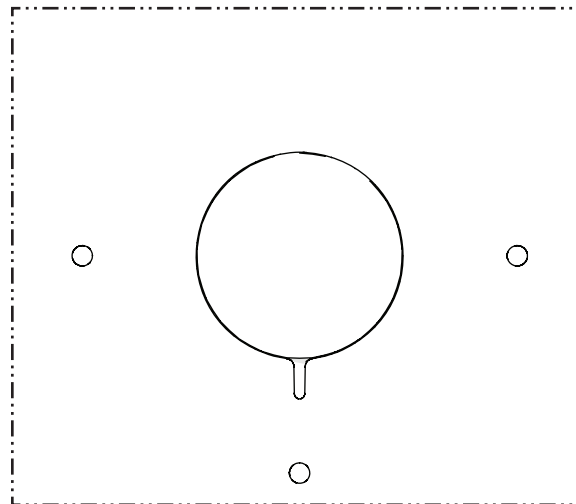
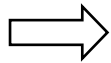
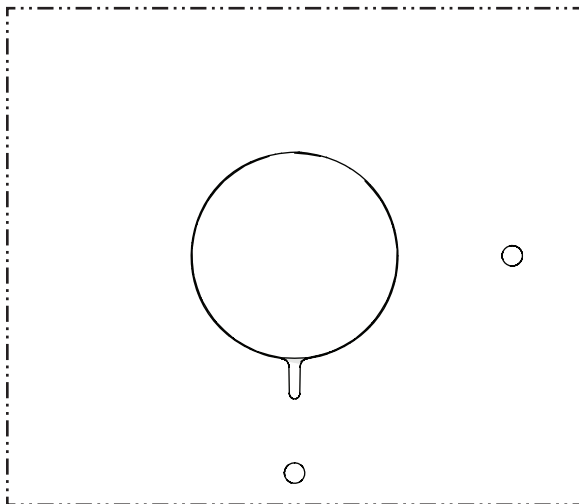
**NOTE:** Reference the latest VALVE Installation Guidelines for HANDLE turn angle information.



### GUDV3T ONLY:

5. The recommended hole locations are 3, 6, 9, and 12 o'clock with 6 o'clock being the off position.

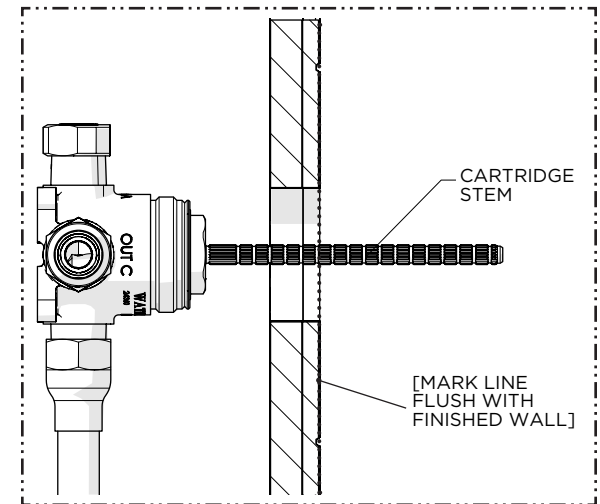
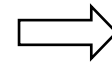
**NOTE:** Reference the latest VALVE Installation Guidelines for HANDLE turn angle information.



### GUDV3P ONLY:

7. The recommended hole locations are 3, 6, and 9 o'clock with no off position.

**NOTE:** Reference the latest VALVE Installation Guidelines for HANDLE turn angle information.

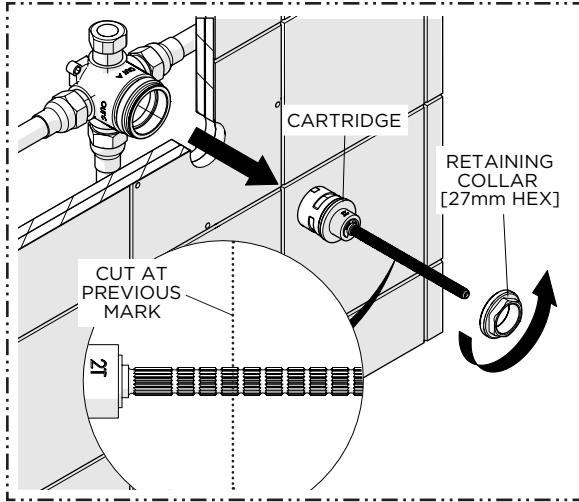


8. Mark the CARTRIDGE STEM where it protrudes past the finished wall.

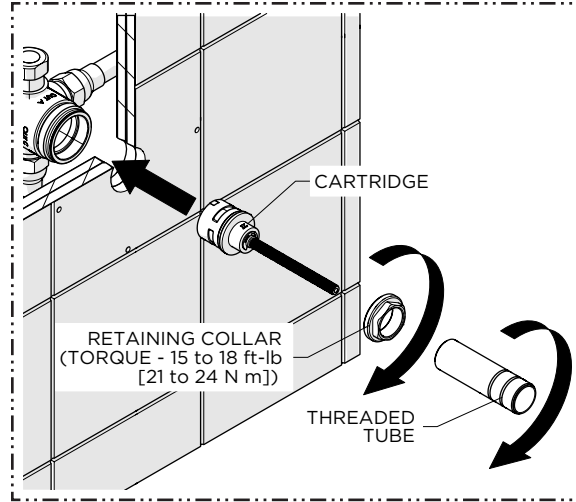
**NOTE:** A straight edge (**not supplied**) can be used to mark the CARTRIDGE STEM.

# INSTALLATION GUIDELINES

## DIVERTER TRIM WITH GUDV2P/3P/2T/3T

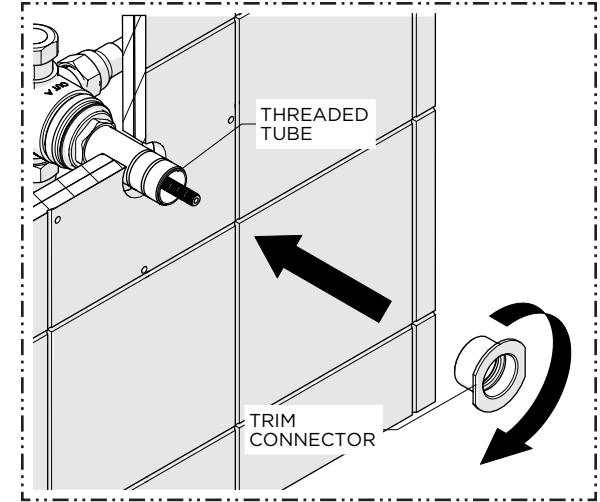


9. Unthread the RETAINING COLLAR and remove the CARTRIDGE then cut the CARTRIDGE STEM at the previous mark.

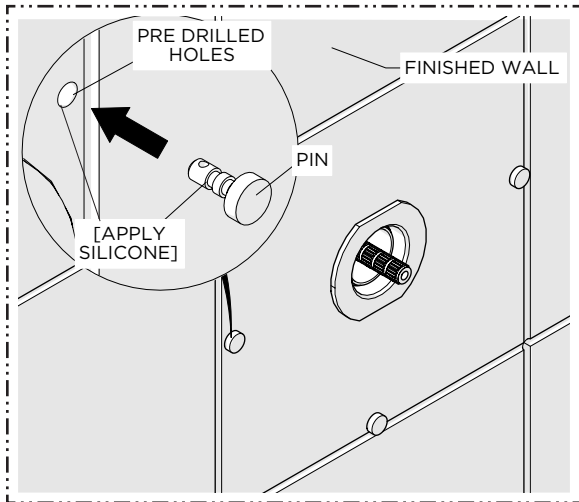


10. Re-insert the CARTRIDGE then thread and securely tighten the RETAINING COLLAR to the specified torque setting shown.

Thread the THREADED TUBE back into the RETAINING COLLAR until snug.

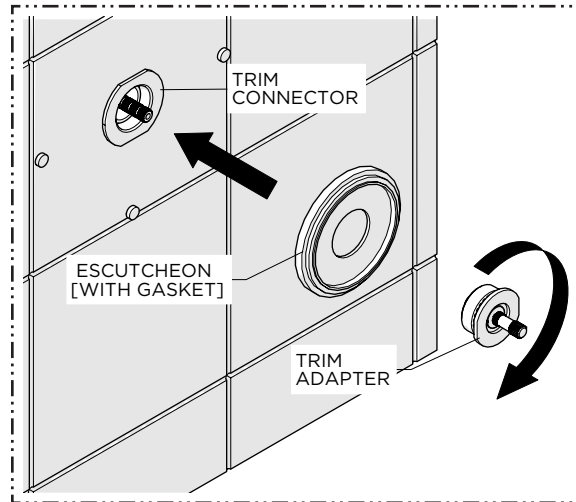


11. Thread and securely tighten the TRIM CONNECTOR onto the THREADED TUBE until snug.



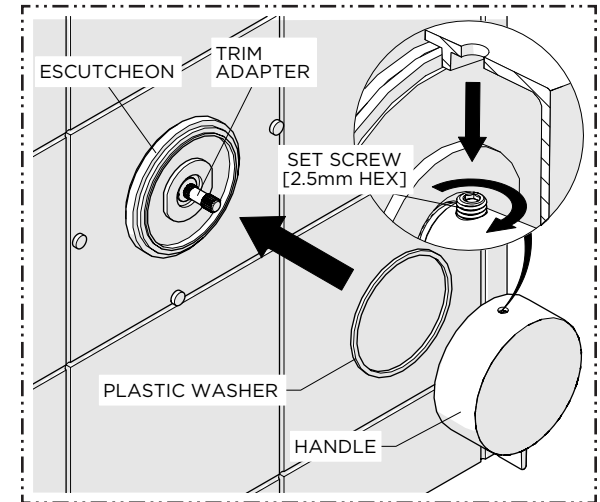
12. A SILICONE SEALANT is provided. Apply an appropriate amount of SEALANT into the pre-drilled holes and the PINS then insert the PINS into the holes until flush with the finished wall. Wipe away any excess SEALANT.

**NOTE:** Replacement PINS (STYLE No. NVC4PK) can be ordered separately.



13. Hold the ESCUTCHEON against the finished wall then thread the TRIM ADAPTER into the TRIM CONNECTOR until snug.

**NOTE:** A GASKET for the ESCUTCHEON is provided to ensure a water-tight seal.



14. Slide the PLASTIC WASHER onto the ESCUTCHEON then place the HANDLE onto the TRIM ADAPTER. Ensure the HANDLE is fully seated and properly aligned with the PINS then thread and securely tighten the SET SCREW.