

Dash

DSS380

Dash 8" Rain Showerhead with 6" Ceiling Mounted Shower Arm



SHOWN IN DASH 8" RAIN SHOWERHEAD WITH 6" CEILING MOUNTED SHOWER ARM | DSS380

TECHNICAL DETAILS

Adjustable Versus Fixed Spray: Fixed
 Fittings Hole Diameter: 32 mm
 Flow Restriction Options: 1.5, 1.75, 2.0
 Inlet Connection Size: 1/2"
 Inlet Connection Type: Male NPT
 Pivot: Y
 Primary Material: Brass
 Restricted Maximum Flow Rate: 6.6 liters/min
 Water Pressure Maximum: 6.0 bar
 Water Pressure Minimum: 1.5 bar
 Water Pressure Recommended: 3.0 bar

INSPIRATION

A blend of art and function, Dash pays homage to design elements of the 1930s with pared-down shapes, softened curves and minimal details.

CODES & STANDARDS

DSS380X, ASME A112.18.1/CSA B125.1, CEC(1.5GPM & 1.75GPM Only), WaterSense(1.5GPM, 1.75GPM & 2.0GPM Only), DOE, State of MA

PRODUCT FEATURES

- Made of Brass
- Features a swivel 8" rain showerhead with easy clean rubber nozzles
- Includes a 6" ceiling mounted shower arm
- Stocked in Brass, Chrome, Nickel and Matte Nickel
- Rain showerhead available in 1.75gpm (6.6L/min) flow rate

CERTIFICATIONS

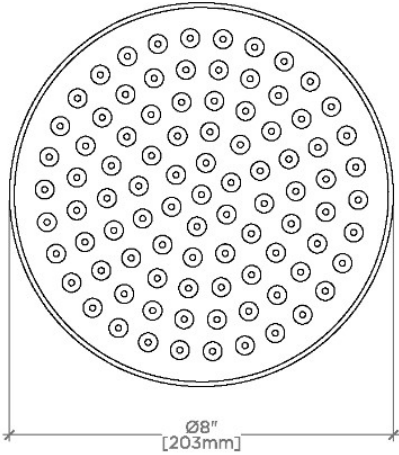


PRODUCT (NOTES)

Dash

DSS380

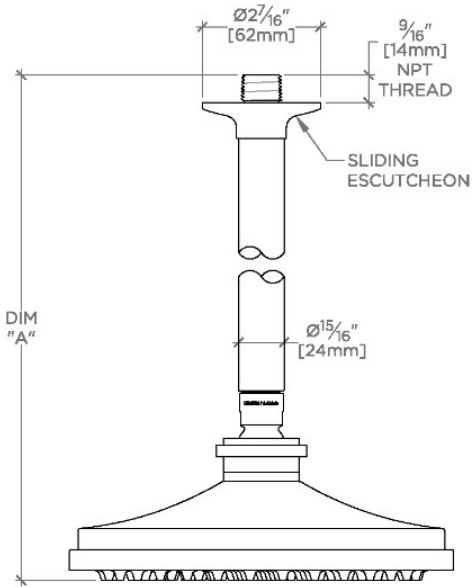
Dash 8" Rain Showerhead with 6" Ceiling Mounted Shower Arm



CEILING VIEW

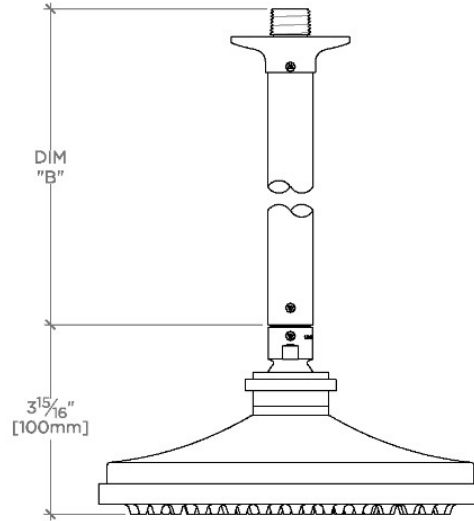
SCALE: 3"=1'-0"

STYLE NO.	DIM "A"	DIM "B"
DSS380	10½" [267mm]	6⁹⁄₁₆" [167mm]
HGS380		
RRS380		
DSS381	16½" [420mm]	12⁹⁄₁₆" [319mm]
HGS381		
RRS381		



FRONT VIEW

SCALE: 3"=1'-0"



SIDE VIEW

SCALE: 3"=1'-0"