

.25

PTS234

.25 3 1/4" Showerhead with Adjustable Spray with 6" Wall Mounted 45 Degree Shower Arm



SHOWN IN .25 3 1/4" SHOWERHEAD WITH ADJUSTABLE SPRAY WITH 6" WALL MOUNTED 45 DEGREE SHOWER ARM | PTS234

TECHNICAL DETAILS

Adjustable Versus Fixed Spray: Adjustable Spray
 Fittings Hole Diameter: 1 1/4"
 Flow Restriction Options: 1.5, 1.75, 2.0
 Inlet Connection Size: 1/2"
 Inlet Connection Type: Male NPT
 Pivot: Y
 Primary Material: Brass
 Restricted Maximum Flow Rate: 1.75 gpm
 Water Pressure Maximum: 85.0 psi
 Water Pressure Minimum: 20.0 psi
 Water Pressure Recommended: 45.0 psi

INSPIRATION

.25 is the ultimate in utilitarian elegance: A simple and understated design that is equally functional and beautiful.

CODES & STANDARDS

PTS234X, ASME A112.18.1/CSA B125.1, CEC(1.5GPM & 1.75GPM Only), WaterSense(1.5GPM, 1.75GPM & 2.0GPM Only), DOE, State of MA

PRODUCT FEATURES

- Made of Brass
- Features a swivel 3 1/4" showerhead with three adjustable spray patterns
- Includes a 6" wall mounted 45 degree shower arm
- Stocked in Brass, Chrome and Nickel
- Showerhead available in 1.75gpm (6.6L/min) flow rate

CERTIFICATIONS

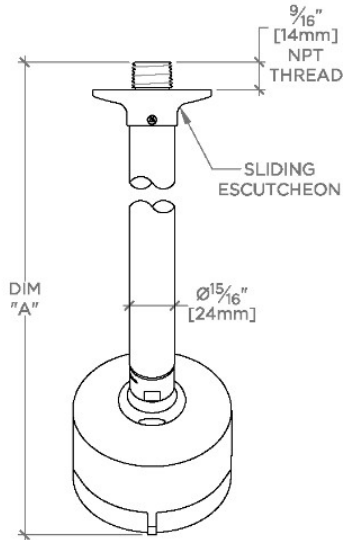


PRODUCT (NOTES)

.25

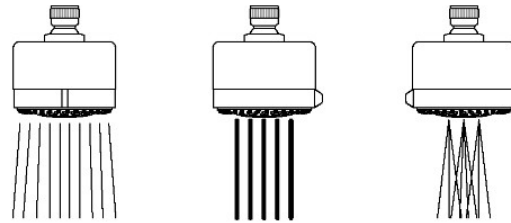
PTS234

.25 3 1/4" Showerhead with Adjustable Spray with 6" Wall Mounted 45 Degree Shower Arm

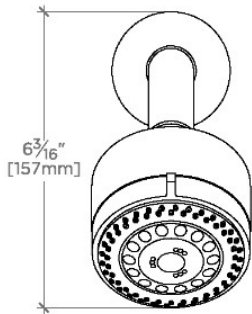


TOP VIEW SCALE: 3"=1'-0"

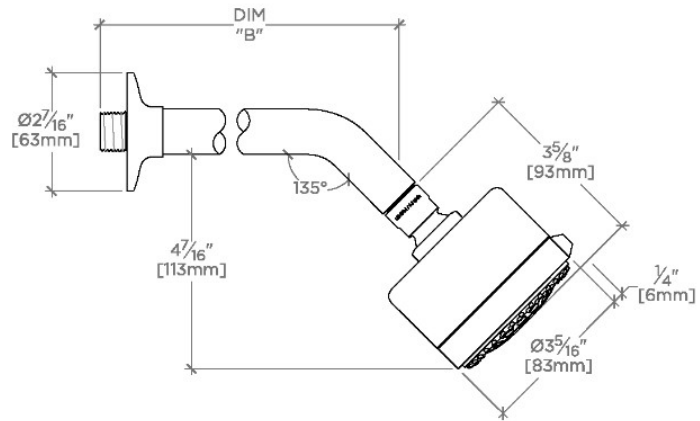
STYLE NO.	DIM "A"	DIM "B"
LVS234	9 3/16" [250mm]	6 1/4" [158mm]
PTS234		
LVS235	11 3/16" [301mm]	8 1/4" [209mm]
PTS235		



SPRAY PATTERNS



FRONT VIEW SCALE: 3"=1'-0"



SIDE VIEW SCALE: 3"=1'-0"