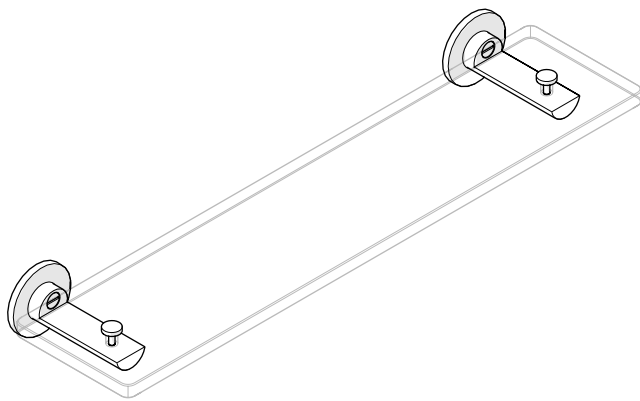


# INSTALLATION GUIDELINES

## GLASS SHELF

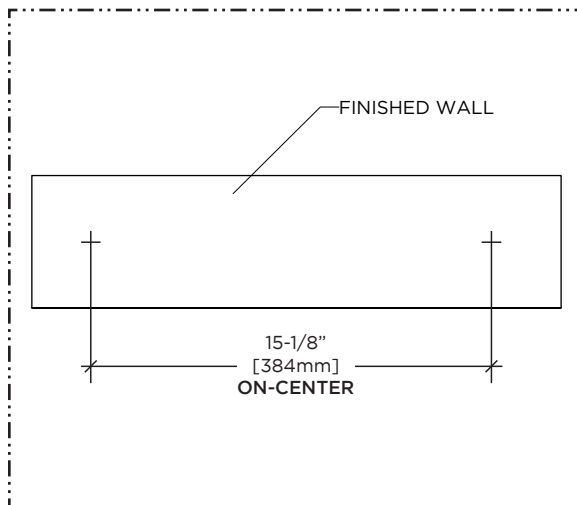
### FINOT GLASS SHELF



<b>STYLE</b>
NOSF18

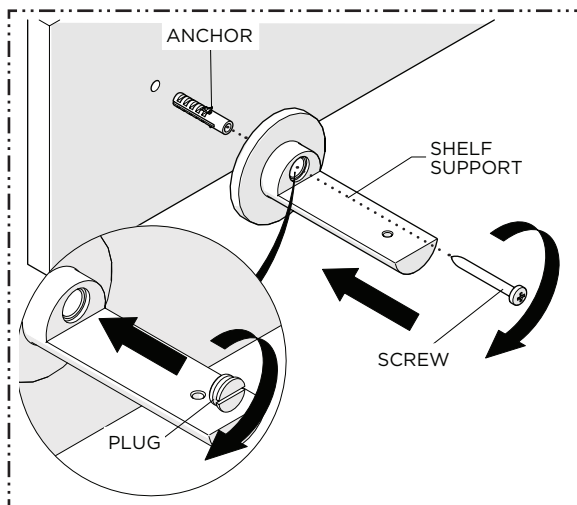
#### **IMPORTANT:**

- To ensure this product is installed properly, you must read and follow these guidelines.
- The owner/user of this product must keep this information for future reference.
- This product must be installed by a professional licensed contractor.
- Inspect this product to ensure you have all the parts required for proper installation.
- DRYWALL ANCHORS for a typical drywall installation are provided. Do **NOT** use the ANCHORS if mounting directly onto wood blocking or a stud.
- If further assistance is required, please contact Product Support at 1-800-927-2120 Monday through Friday, 8am - 6pm EST.
- Refer to the separate Service Parts Documents for available replacement parts.



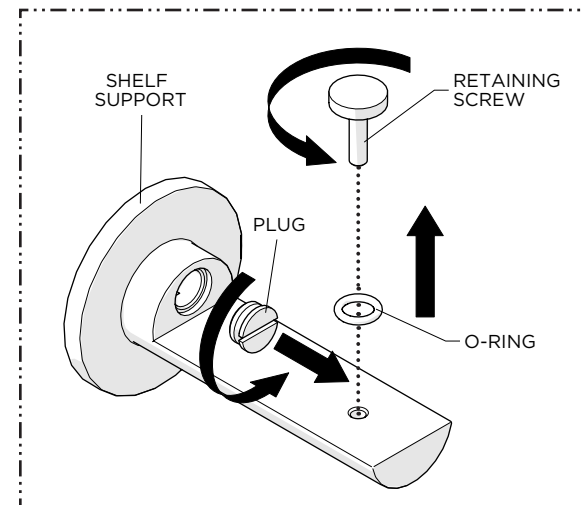
1. Mark the hole locations for the mounting SCREWS on the finished wall, preferably over wood blocking or stud. Ensure the marks are level with each other and at a 15-1/8" [384mm] on-center spread.

**NOTE:** Verify the 15-1/8" [384mm] on-center hole spread on the GLASS SHELF before proceeding.



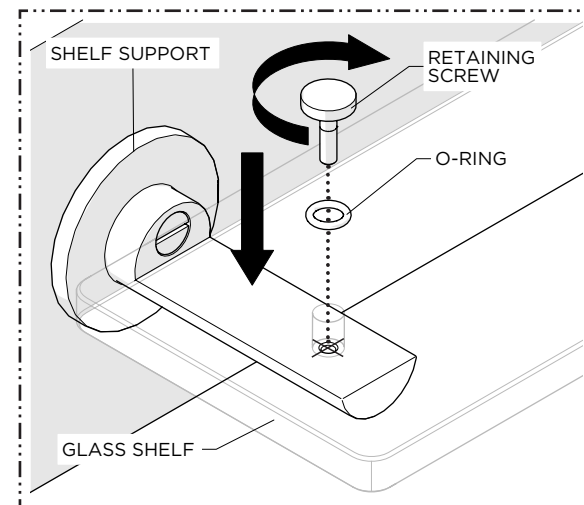
3. Using the previous marks as a reference, install each SHELF SUPPORTS using the ANCHORS, if necessary, and SCREWS provided. Ensure the flat surfaces on the SUPPORTS are level with each other then thread the PLUGS back into the SUPPORTS.

# WATERWORKS



2. Unthread and remove the RETAINING SCREW and O-RING from each SHELF SUPPORT. Then, use a flat screwdriver (**not supplied**) to unthread and remove the PLUG from each SHELF SUPPORT.

**NOTE:** Do **NOT** discard the O-RINGS provided.



4. Align the holes on the SHELF with the holes on the SUPPORTS then thread the RETAINING SCREWS back into the SUPPORTS until snug making sure to use the O-RINGS provided to prevent damaging the SHELF.