

## Regulator

GFUN01

Regulator Pair of Floor Mount Exposed Tub Filler Unions



SHOWN IN REGULATOR PAIR OF FLOOR MOUNT EXPOSED TUB FILLER UNIONS | GFUN01

### TECHNICAL DETAILS

ADA Compliance: No

### INSPIRATION

A play on industrial controls from the early 1900s, when pride was lavished on parts. Translated to handcrafted, fittings project rugged beauty through powerful, detailed shapes.

### CODES & STANDARDS

GFUN01X, ASME A112.18.1/CSA B125.1, State of MA

### PRODUCT FEATURES

Designed to Install with Regulator Floor Mounted Exposed Tub Filler. Purchased Separately.

Brass Construction

### CERTIFICATIONS

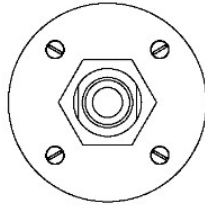
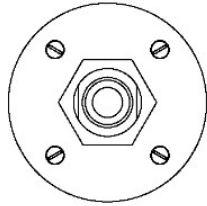


### PRODUCT (NOTES)

## Regulator

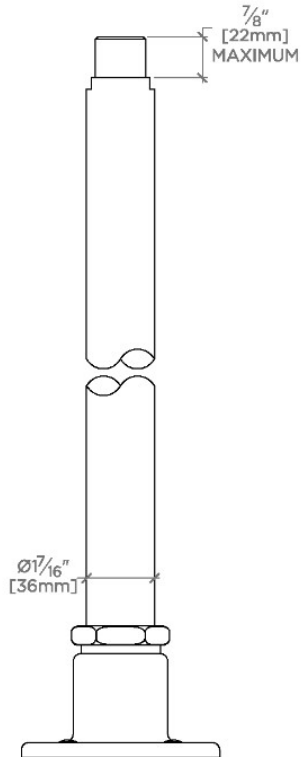
GFUN01

Regulator Pair of Floor Mount Exposed Tub Filler Unions

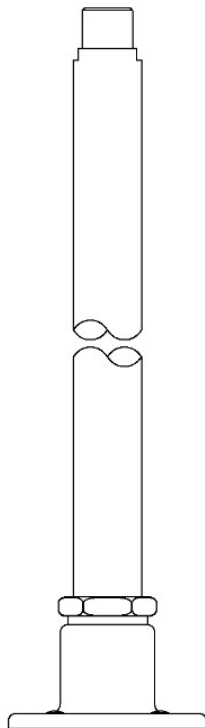


TOP VIEW

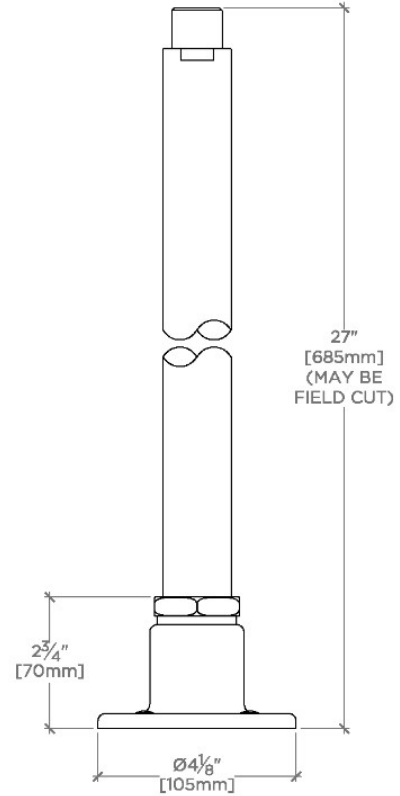
SCALE: 3"=1'-0"



FRONT VIEW



SCALE: 3"=1'-0"



SIDE VIEW

SCALE: 3"=1'-0"