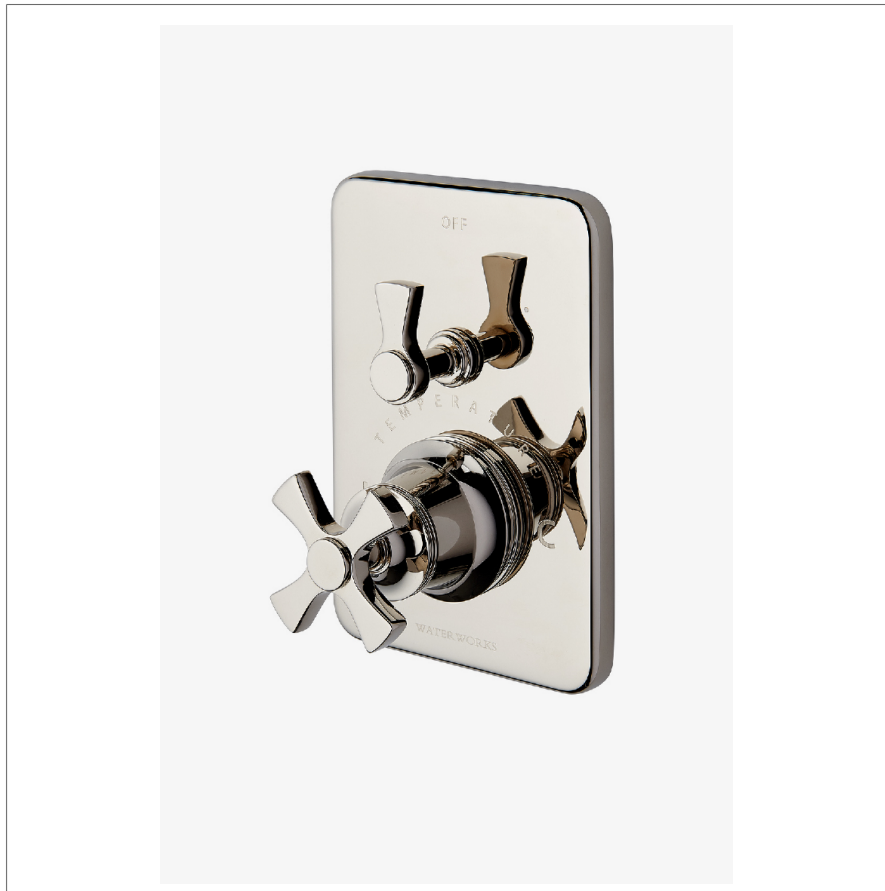


TRANSIT

TRTH22

Transit Integrated Thermostatic and Diverter Trim with Cross Handle



SHOWN IN TRANSIT INTEGRATED THERMOSTATIC AND DIVERTER TRIM WITH CROSS HANDLE | TRTH22

TECHNICAL DETAILS

ADA Compliance: Yes
 Integrated Diverter: Y
 Number Of Holes: One Hole
 Primary Material: Brass

INSPIRATION

Stylish simplicity that fits into any decor. Each design represents a sophisticated mix of modern and traditional influences, streamlined into a sculpted and tapered look.

CODES & STANDARDS

ASME A112.18.1/CSA B125.1, State of MA

PRODUCT FEATURES

Features Cross Handle

Smooth handle operation with haptic "clicks" at each diverter position for tactile feedback

A solid brass trim plate features engraved TEMPERATURE along with H and C markings.

Stocked in Chrome, Nickel and Brass

Requires rough valve, sold separately: GUTH62 or GUTH63 (USA) or GU62TH or GU63TH (UK/International)

CERTIFICATIONS

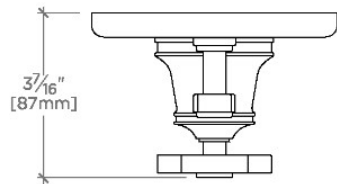


PRODUCT (NOTES)

TRANSIT

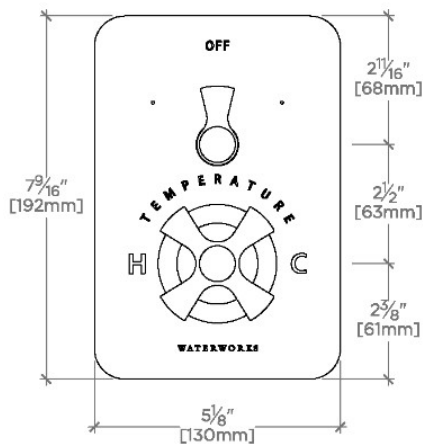
TRTH22

Transit Integrated Thermostatic and Diverter Trim with Cross Handle



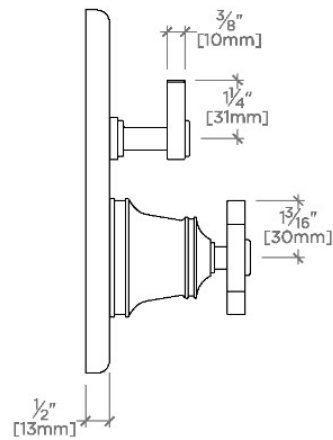
TOP VIEW

SCALE: 3"=1'-0"



FRONT VIEW

SCALE: 3"=1'-0"



SIDE VIEW

SCALE: 3"=1'-0"