

DASH

DSTH30

Dash Metal Lever Handle Thermostatic with Metal Cross Handle Shutoff Trim



SHOWN IN DASH METAL LEVER HANDLE THERMOSTATIC WITH METAL CROSS HANDLE SHUTOFF TRIM| DSTH30

TECHNICAL DETAILS

Control Valve Rough-in Depth Maximum: 111 mm
 Control Valve Rough-in Depth Minimum: 67 mm
 Escutcheon Primary Material: Brass
 Fittings Hole Diameter: 133 mm
 Handle Spread Maximum: 144 mm
 Handle Spread Minimum: 144 mm
 Handle Turn Angle: Quarter Turn
 Depth / Width: 116 mm
 Height: 319 mm
 Installation Type: Wall Mounted
 Integrated Diverter: N
 Length: 171 mm
 Number of Handles: Two
 Primary Material: Brass
 Suggested Application: Bath

INSPIRATION

A blend of art and function, Dash pays homage to design elements of the 1930s with pared-down shapes, softened curves and minimal details.

PRODUCT FEATURES

Metal Cross Handle

The thermostatic valve and shutoff trims are housed neatly together on an oval back plate for a clean install in the shower.

Stocked in Nickel, Chrome, Unlacquered Brass, and Matte Nickel finishes

Requires valve rough GUTH48(USA) or GU48TH(UK) sold separately

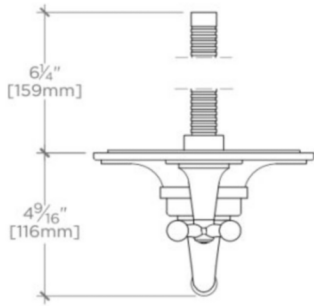
PRODUCT (NOTES)

Product Requires Universal Thermostatic Valve with Integrated Volume Control Valve [GUTH48]. Valve Sold Separately.

DASH

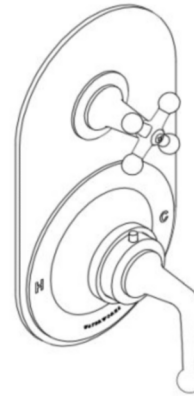
DSTH30

Dash Metal Lever Handle Thermostatic with Metal Cross Handle Shutoff Trim



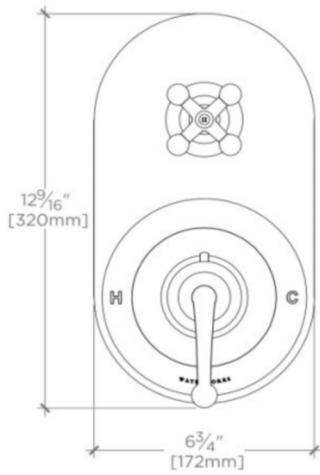
TOP VIEW

SCALE: 2"=1'-0"



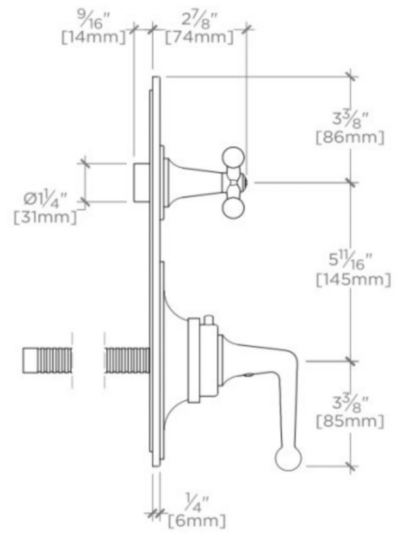
ISO VIEW

SCALE: 2"=1'-0"



FRONT VIEW

SCALE: 2"=1'-0"



SIDE VIEW

SCALE: 2"=1'-0"