

JULIA

JU09LS

Julia High Profile Deck Mounted Lavatory Faucet with Metal Lever Handles



SHOWN IN JULIA HIGH PROFILE ONE HOLE DECK MOUNTED LAVATORY FAUCET WITH METAL LEVER HANDLES| JULS09

TECHNICAL DETAILS

Flow Restriction Options: 1.5, 1.0
Depth / Width: 197 mm
Height: 211 mm
Inlet Connection Size: 3/8"
Inlet Connection Type: Female G/BSPP
Length: 60 mm
Suggested Application: Bath

INSPIRATION

An interpretation of 1920s French country, Julia speaks to decoration and intricate design displayed through beautifully composed turnings. These details embody the robust, signature high profile spout enabling Julia to transition fluidly from informal to formal environments.

PRODUCT FEATURES

Swivel spout features a single lever, with white porcelain index, allowing for single-handed operation.

Optional handle materials include porcelain, wood, crystal, and semi-precious stones.

Standard flow rate is 2.2gpm (8.3 L/min) and State of California requires 1.2gpm(4.5 L/min). Also available in other flow options. Contact a sales associate for details.

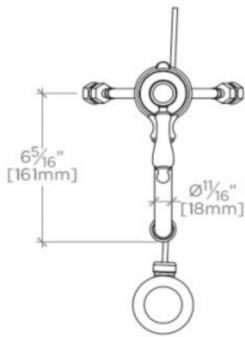
WATERWORKS

JULIA

JU09LS

Julia High Profile Deck Mounted Lavatory Faucet with Metal Lever Handles

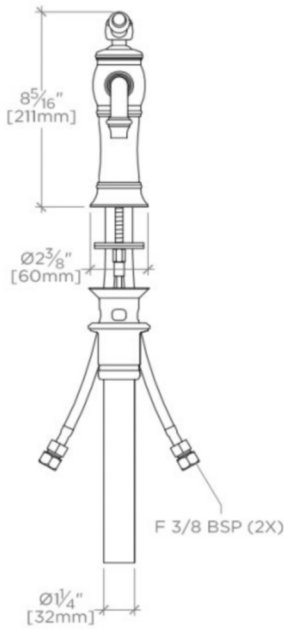
ADAPTER(S) PACKAGED SEPARATELY		
ADAPTER	DESCRIPTION	QTY
UNUK08	9/16"-24 UNEF Male x 3/8" Female BSP in Nickel	2



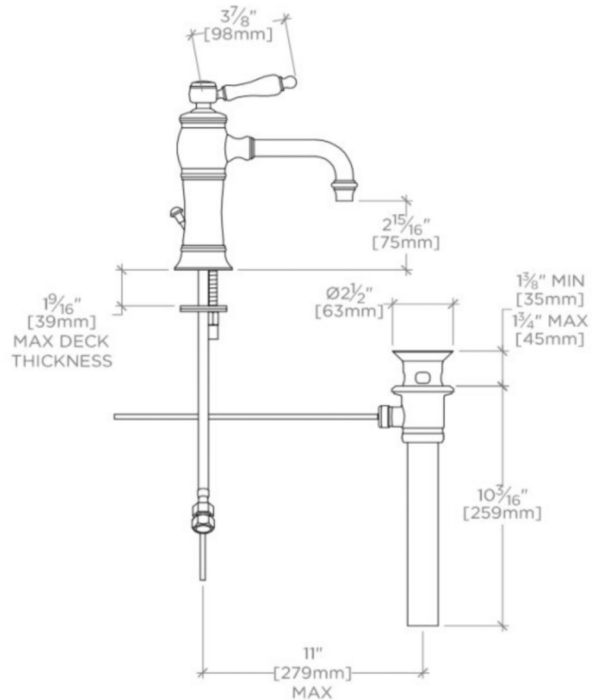
TOP VIEW SCALE: 1 1/2"=1'-0"



ISO VIEW SCALE: 1 1/2"=1'-0"



FRONT VIEW SCALE: 1 1/2"=1'-0"



SIDE VIEW SCALE: 1 1/2"=1'-0"