

.25

PT90XT

.25 Floor Mounted Exposed Tub Filler With Handshower and Joystick Handle



SHOWN IN .25 FLOOR MOUNTED EXPOSED TUB FILLER WITH HANDSHOWER AND JOYSTICK HANDLE| PTX90

TECHNICAL DETAILS

Inlet Connection Size: 1/2"
Inlet Connection Type: Female NPT
Installation Type: Freestanding
Integrated Diverter: N
Spout Reach: 9 1/16"
Suggested Application: Bath
Water Pressure Maximum: 5.5 bar
Water Pressure Minimum: 1.5 bar
Water Pressure Recommended: 3.0 bar

INSPIRATION

.25 is the ultimate in utilitarian elegance: A simple and understated design that is equally functional and beautiful.

PRODUCT FEATURES

Tilt & Turn Handle allows for easy, one-handed operation

Unrestricted (spout) water flow of approximately 7.5 gallons per minute (gpm) and handshower water flow of 2.5 gpm

Includes floor unions

Independent Progressive Valve allows bather to independently control water to handshower

Standard flow rate is 2.5gpm for handshower only. Also available in high efficient flow options.

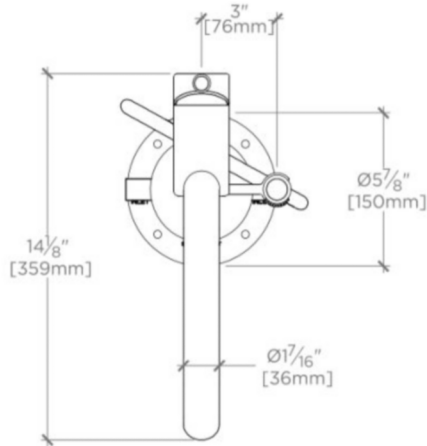
Contact your sales associate or call 1 (800) 899-6757 for details.

.25

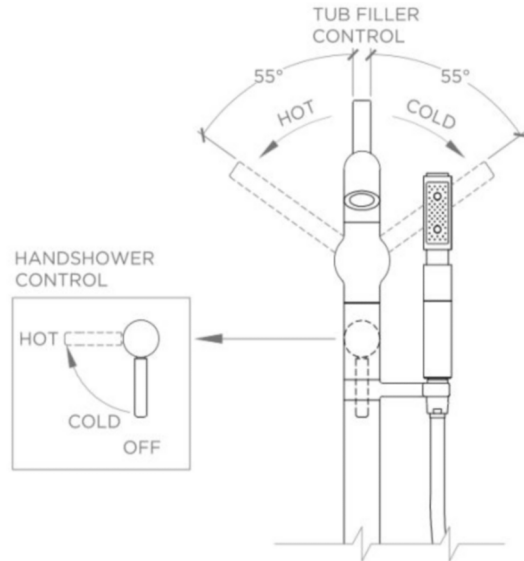
PT90XT

.25 Floor Mounted Exposed Tub Filler With Handshower and Joystick Handle

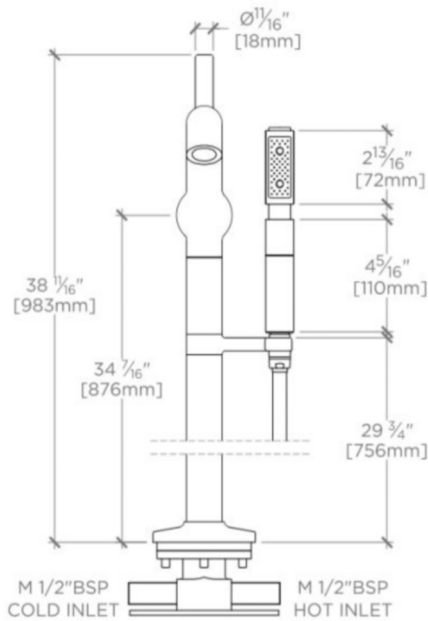
ADAPTERS PACKAGED SEPARATELY		
ADAPTER	DESCRIPTION	QTY.
UNUK04	Universal 1/2" 24 NPT Male x 1/2" Male Nipple 50mm long BSP Adapter	2



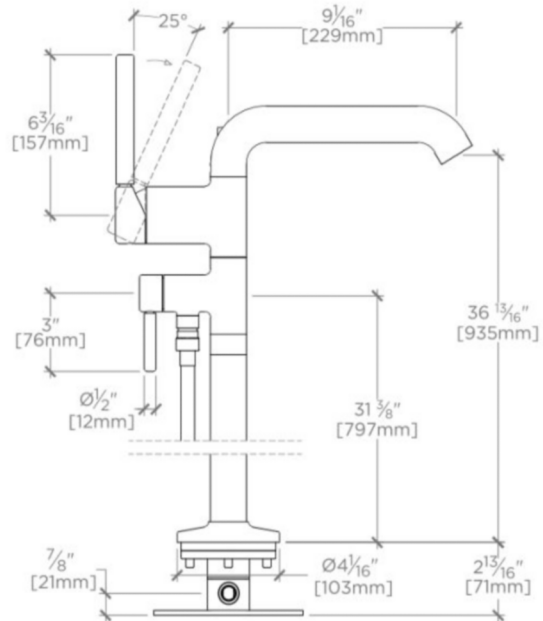
TOP VIEW SCALE: 1/2"=1'-0"



HANDLE OPERATION SCALE: 1/2"=1'-0"



FRONT VIEW SCALE: 1/2"=1'-0"



SIDE VIEW SCALE: 1/2"=1'-0"