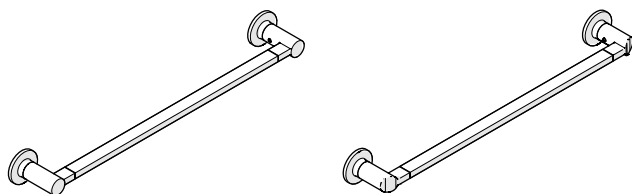


# INSTALLATION GUIDELINES

## TOWEL BAR

### FINOT TOWEL BAR



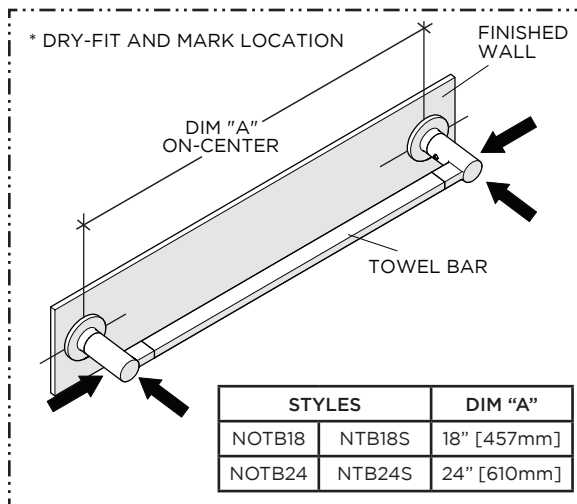
STYLES	
NOTB18 [SHOWN]	NTB18S [SHOWN]
NOTB24	NTB24S

#### IMPORTANT:

- To ensure this product is installed properly, you must read and follow these guidelines.
- The owner/user of this product must keep this information for future reference.
- This product must be installed by a professional licensed contractor.
- Inspect this product to ensure you have all the parts required for proper installation.
- Use only a strap wrench or protected/smooth-jaw wrench on any finished surface.
- DRYWALL ANCHORS for a typical drywall installation are provided. Do **NOT** use the ANCHORS if mounting directly onto wood blocking or a stud.
- If further assistance is required, please contact Product Support at 1-800-927-2120 Monday through Friday, 8am - 6pm EST.
- Refer to the separate Service Parts Documents for available replacement parts.

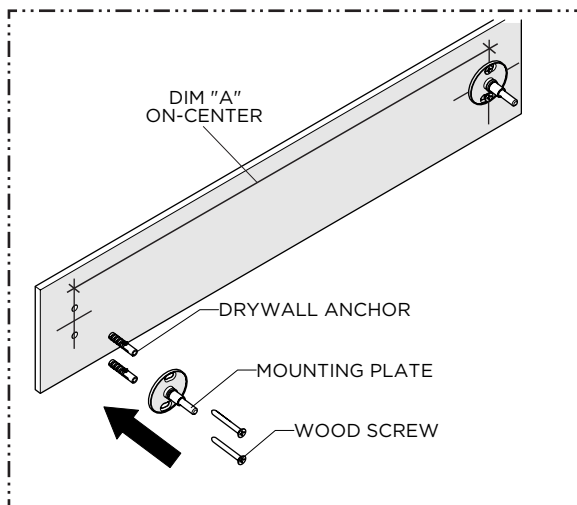
#### TECHNICAL DETAILS:

DETAIL	SPECIFICATION
PRIMARY MATERIAL	BRASS



1. Dry-fit the TOWEL BAR to the finished wall and mark the ideal location making sure to hold the BAR level.

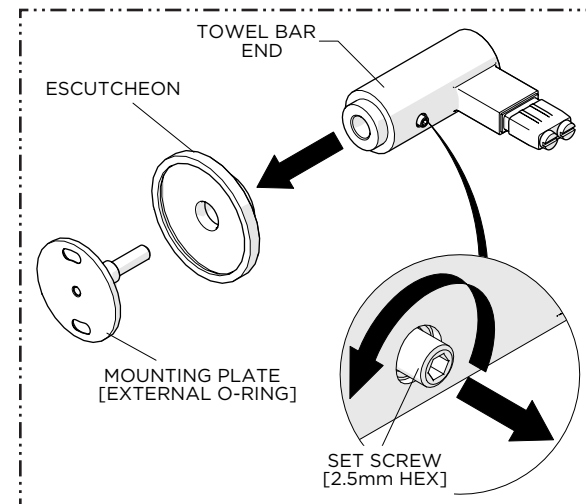
**NOTE:** The TOWEL BAR cannot be field cut, verify the on-center spread, DIM "A".



3. Using the previous marks as a reference, install the MOUNTING PLATES using the SCREWS and ANCHORS provided.

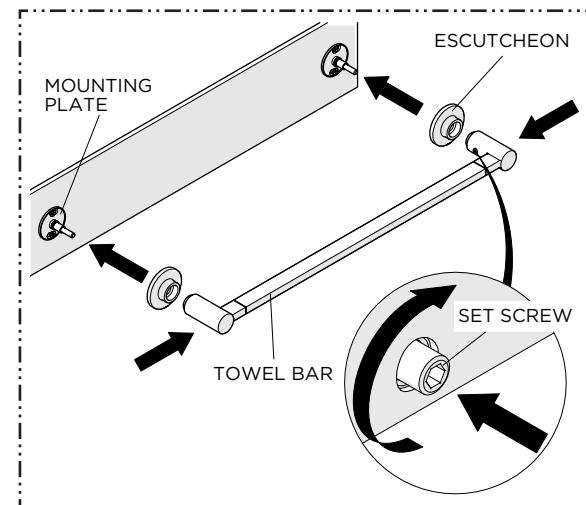
**CAUTION:** Ensure the MOUNTING PLATES are level and at the desired on-center spread, DIM "A".

# WATERWORKS



2. Loosen, but do **NOT** remove, the SET SCREW on the bottom of each TOWEL BAR END and remove the MOUNTING PLATES and ESCUTCHEONS.

**NOTE:** Do **NOT** remove the O-RING on the MOUNTING PLATE.



4. Slide the ESCUTCHEONS over the MOUNTING PLATES making sure they are fully seated. While holding the ENDS and BAR together, place both ENDS over the MOUNTING PLATES and into the ESCUTCHEON. Once fully seated, securely tighten the SET SCREWS.