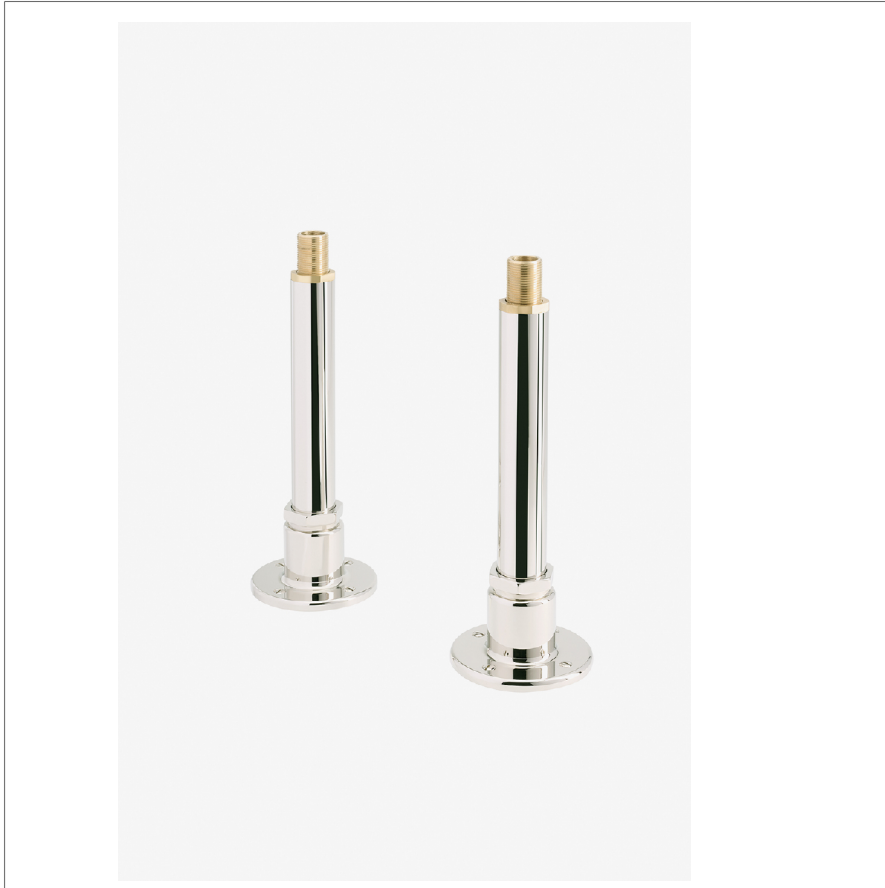


## Regulator

GDUN01

Regulator Pair of Deck Mount Exposed Tub Filler Unions



SHOWN IN REGULATOR PAIR OF DECK MOUNT EXPOSED TUB FILLER UNIONS | GDUN01

### TECHNICAL DETAILS

ADA Compliance: No

### INSPIRATION

A play on industrial controls from the early 1900s, when pride was lavished on parts. Translated to handcrafted, fittings project rugged beauty through powerful, detailed shapes.

### CODES & STANDARDS

GDUN01X, ASME A112.18.1/CSA B125.1, State of MA

### PRODUCT FEATURES

Designed to Install with Regulator Deck Mounted Exposed Tub Filler. Purchased Separately.

Brass Construction

### CERTIFICATIONS

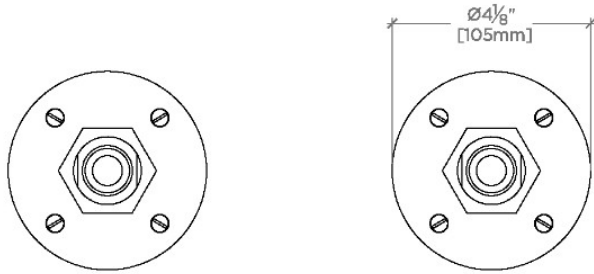


### PRODUCT (NOTES)

## Regulator

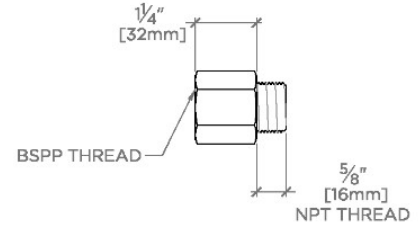
GDUN01

Regulator Pair of Deck Mount Exposed Tub Filler Unions

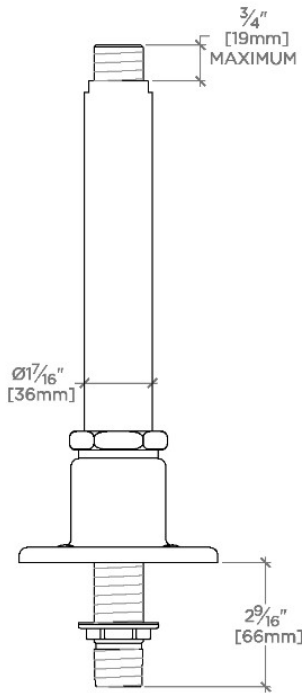


TOP VIEW

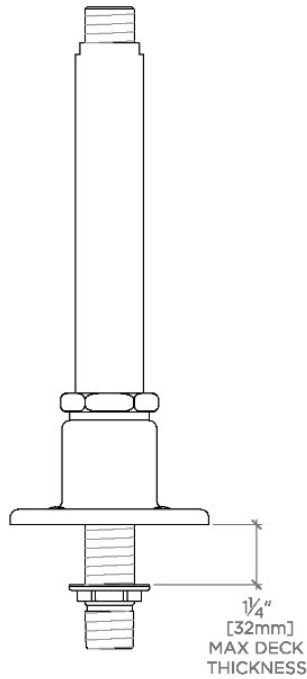
SCALE: 3"=1'-0"



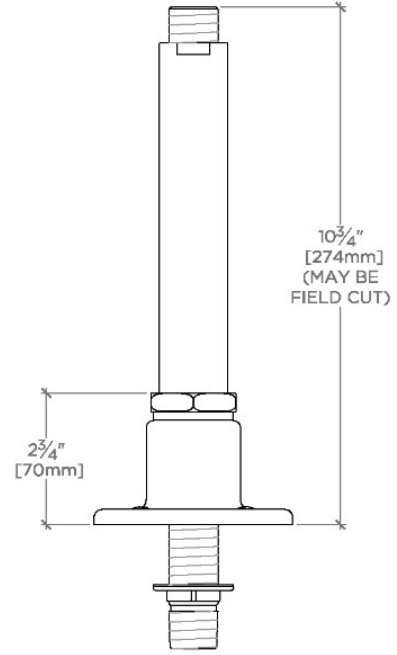
2 NO'S UNUK05  
ADAPTERS INCLUDED-INTERNATIONAL USE ONLY



FRONT VIEW



SCALE: 3"=1'-0"



SIDE VIEW

SCALE: 3"=1'-0"