

Henry

HXT301

Henry Exposed Floor Mounted Tub Filler With Handshower and Cross Handles



SHOWN IN HENRY EXPOSED FLOOR MOUNTED TUB FILLER WITH HANDSHOWER AND CROSS HANDLES | HXT301

TECHNICAL DETAILS

ADA Compliance: No
 Fittings Hole Diameter: 35 mm
 Handle Spread Maximum: 203 mm
 Handle Spread Minimum: 203 mm
 Handle Turn Angle: Quarter Turn
 Handshower Spray Hose Length: 1.5 m
 Inlet Connection Size: 3/4"
 Inlet Connection Type: Copper Sweat, NPT and 1/2" Female BSPP
 Inlet Supply Spread Maximum: 203 mm
 Inlet Supply Spread Minimum: 203 mm
 Integrated Diverter: Y
 Number Of Holes: Two Hole
 Pivot: Y
 Primary Material: Brass
 Restricted Maximum Flow Rate: 6.6 liters/min
 Spout Swivel: N
 Spray Included In Unit: Y
 Valve Material: Brass and Ceramic
 Water Pressure Maximum: 6.0 bar
 Water Pressure Minimum: 1.5 bar
 Water Pressure Recommended: 3.0 bar

INSPIRATION

Celebrating the connection of industry and art, Henry transitions effortlessly between modern, traditional, and classic settings. These iconic fittings blend 19th-century industrial and artistic references for a look that's forever of the moment—familiar yet wholly original.

CODES & STANDARDS

HXT301-F.RX, ASME A112.18.1/CSA B125.1, CEC(1.5GPM & 1.75GPM Only), WaterSense(1.5GPM, 1.75GPM & 2.0GPM Only), DOE, State of MA, WRAS, NOM-008, NOM-012

PRODUCT FEATURES

Cross Handles

Diverter Handle Allows Bather to Move Water From Spout to Handshower

Handshower Offers a Fixed Spray Pattern, Handshower Post Can Swivel to allow user to position Handshower over the tub

Unrestricted Flow for Tub Spout. Handshower Available in 1.75gpm (6.6L/min) Flow Rate

CERTIFICATIONS



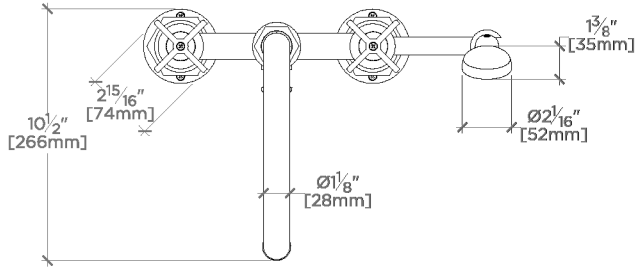
PRODUCT (NOTES)

WATERWORKS

Henry

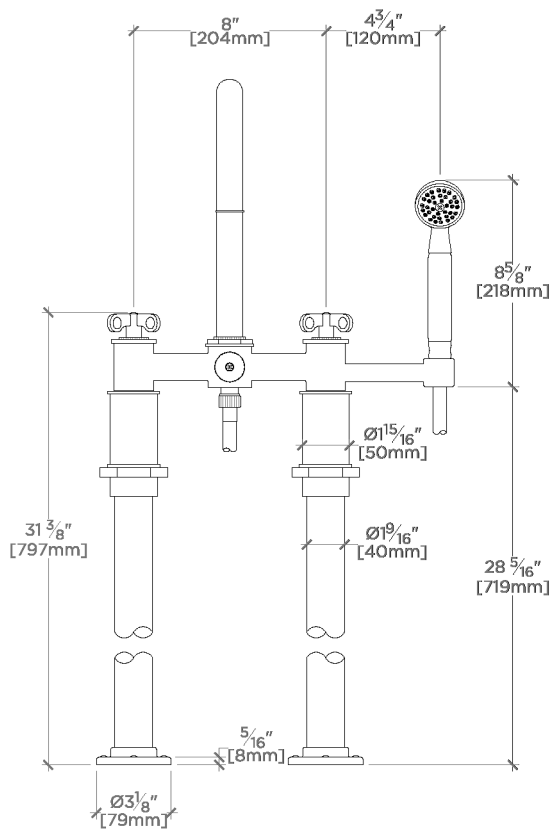
HXT301

Henry Exposed Floor Mounted Tub Filler With Handshower and Cross Handles



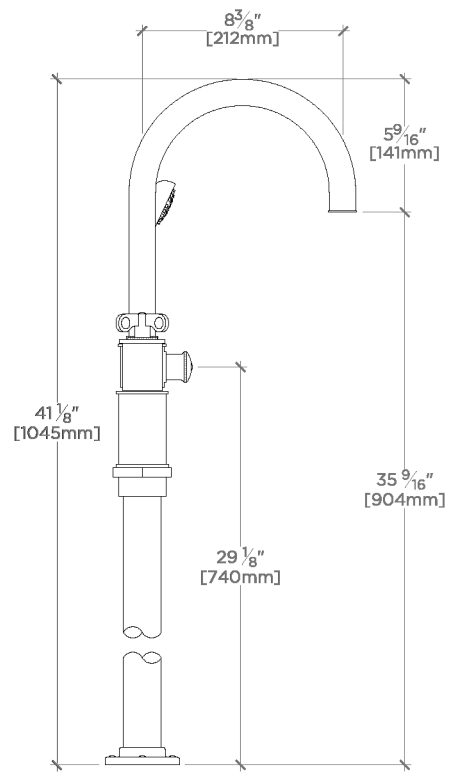
TOP VIEW

SCALE: 1/2"=1'-0"



FRONT VIEW

SCALE: 1/2"=1'-0"



SIDE VIEW

SCALE: 1/2"=1'-0"