

BRIDLE

100694

Bridle Single Vanity with Square Legs and Hardware 24" x 21" x 33 1/4"



SHOWN IN BRIDLE SINGLE VANITY WITH SQUARE LEGS AND HARDWARE 24" X 21" X 33 1/4" | 100694

TECHNICAL DETAILS

ADA Compliance: No
Adjustable Levelers Feet: N
Fittings Hole Depth: 1 1/4"
Fittings Hole Diameter: 1 3/8"
Primary Material: Wood
Sink Visibility: N

INSPIRATION

With its distinctive v-groove paneling and metal strapping, Bridle projects a French neoclassical sensibility, with details from vintage luggage and honest plank doors.

CODES & STANDARDS

PRODUCT FEATURES

Designed by and exclusive to Waterworks

Vanity with Integrated Hardware; specify Brass or Nickel when ordering

Stocked in Clear Oak, Antique Walnut Finish or Factory Finished in Chalk, Driftwood, Midnight, Steel, Franklin Gray, or Whisper

Available with sink and slab top: use BLVN10

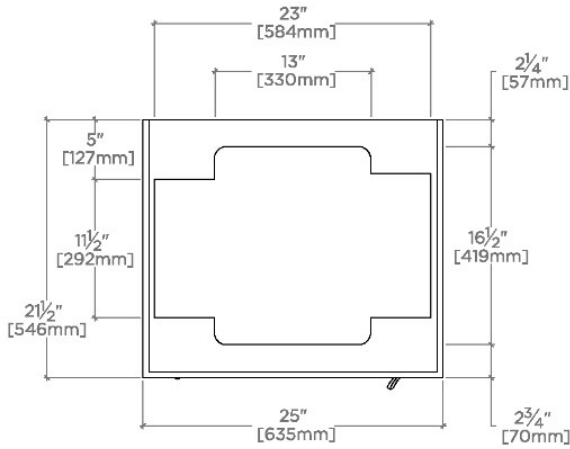
CERTIFICATIONS

PRODUCT (NOTES)

BRIDLE

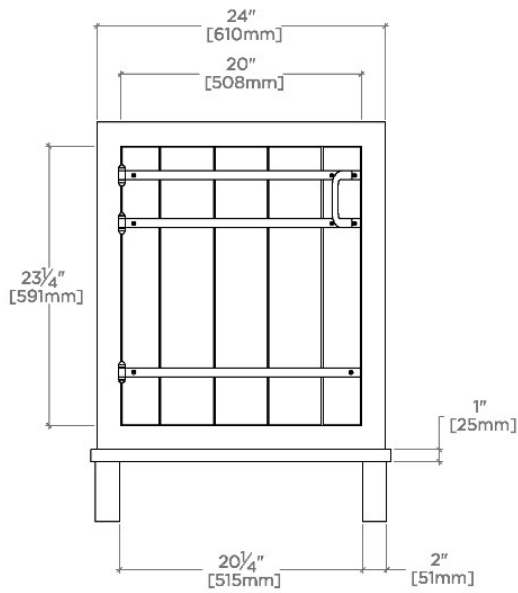
100694

Bridle Single Vanity with Square Legs and Hardware 24" x 21" x 33 1/4"



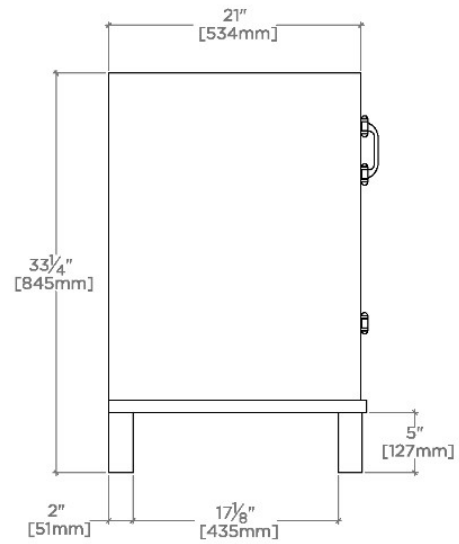
TOP VIEW

SCALE: 3/4"=1'-0"



FRONT VIEW

SCALE: 3/4"=1'-0"



SIDE VIEW

SCALE: 3/4"=1'-0"