

## Dash

DSS381

Dash 8" Rain Showerhead with 12" Ceiling Mounted Shower Arm



SHOWN IN DASH 8" RAIN SHOWERHEAD WITH 12" CEILING MOUNTED SHOWER ARM | DSS381

### TECHNICAL DETAILS

Adjustable Versus Fixed Spray: Fixed  
Fittings Hole Diameter: 32 mm  
Flow Restriction Options: 1.5, 1.75, 2.0  
Inlet Connection Size: 1/2"  
Inlet Connection Type: Male NPT  
Pivot: Y  
Primary Material: Brass  
Restricted Maximum Flow Rate: 6.6 liters/min  
Water Pressure Maximum: 6.0 bar  
Water Pressure Minimum: 1.5 bar  
Water Pressure Recommended: 3.0 bar

### INSPIRATION

A blend of art and function, Dash pays homage to design elements of the 1930s with pared-down shapes, softened curves and minimal details.

### CODES & STANDARDS

DSS381X, ASME A112.18.1/CSA B125.1, CEC(1.5GPM & 1.75GPM Only), WaterSense(1.5GPM, 1.75GPM & 2.0GPM Only), DOE, State of MA

### PRODUCT FEATURES

Made of Brass

Features a swivel 8" rain showerhead with easy clean rubber nozzles

Includes a 12" ceiling mounted shower arm

Stocked in Brass, Chrome, Nickel and Matte Nickel

Rain showerhead available in 1.75gpm (6.6L/min) flow rate

### CERTIFICATIONS

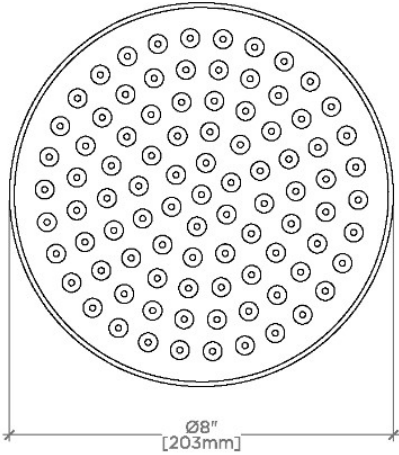


### PRODUCT (NOTES)

## Dash

## DSS381

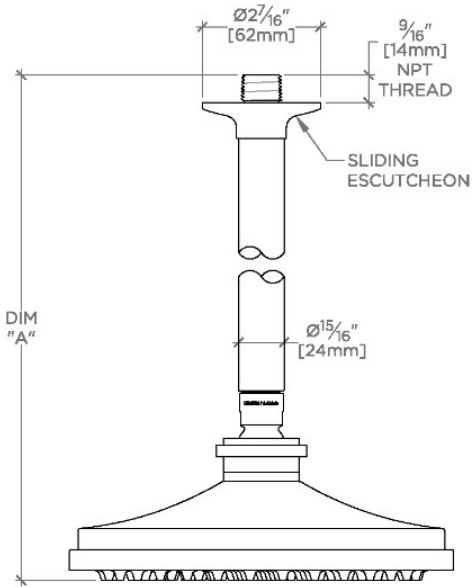
Dash 8" Rain Showerhead with 12" Ceiling Mounted Shower Arm



CEILING VIEW

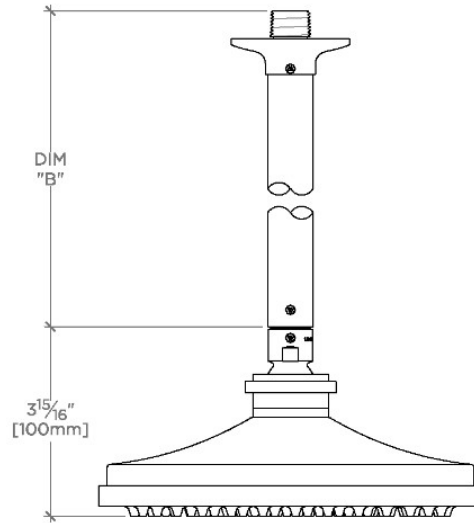
SCALE: 3"=1'-0"

STYLE NO.	DIM "A"	DIM "B"
DSS380	10½" [267mm]	6⁹⁄₁₆" [167mm]
HGS380		
RRS380		
DSS381	16½" [420mm]	12⁹⁄₁₆" [319mm]
HGS381		
RRS381		



FRONT VIEW

SCALE: 3"=1'-0"



SIDE VIEW

SCALE: 3"=1'-0"