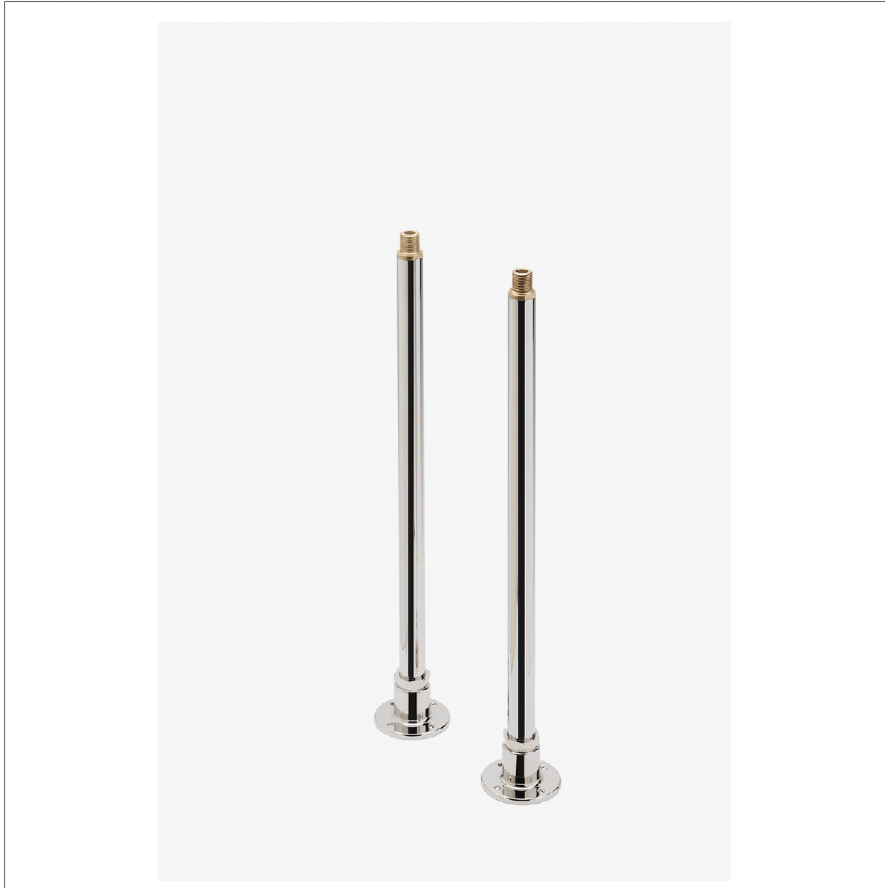


REGULATOR

GFUN01

Regulator Pair of Floor Mount Exposed Tub Filler Unions



SHOWN IN REGULATOR PAIR OF FLOOR MOUNT EXPOSED TUB FILLER UNIONS | GFUN01

TECHNICAL DETAILS

ADA Compliance: No

INSPIRATION

A play on industrial controls from the early 1900s, when pride was lavished on parts. Translated to handcrafted, fittings project rugged beauty through powerful, detailed shapes.

CODES & STANDARDS

GFUN01X, ASME A112.18.1/CSA B125.1, State of MA

PRODUCT FEATURES

Designed to Install with Regulator Floor Mounted Exposed Tub Filler. Purchased Separately.

Brass Construction

CERTIFICATIONS

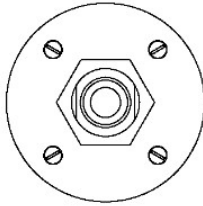
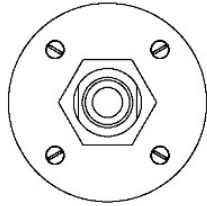


PRODUCT (NOTES)

REGULATOR

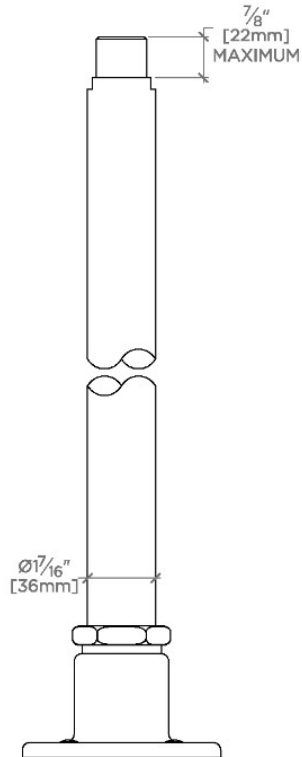
GFUN01

Regulator Pair of Floor Mount Exposed Tub Filler Unions

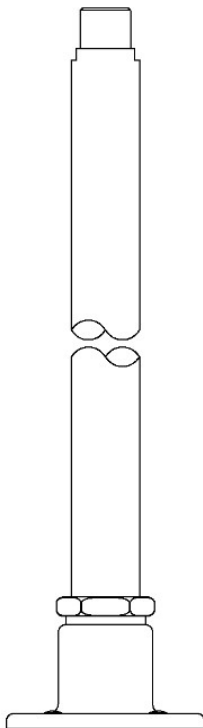


TOP VIEW

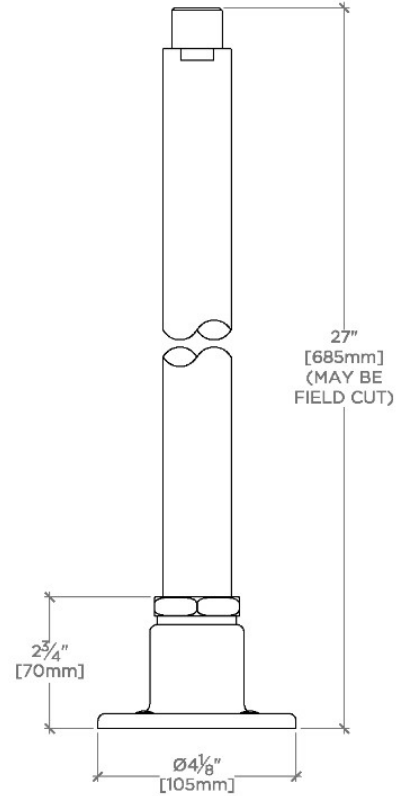
SCALE: 3"=1'-0"



FRONT VIEW



SCALE: 3"=1'-0"



SIDE VIEW

SCALE: 3"=1'-0"