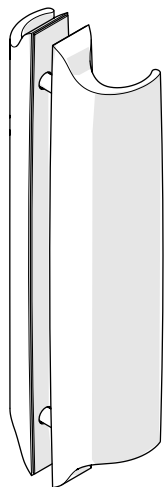


INSTALLATION GUIDELINES

SHOWER DOOR PULL

FORO 8" BACK-TO-BACK SHOWER DOOR PULL

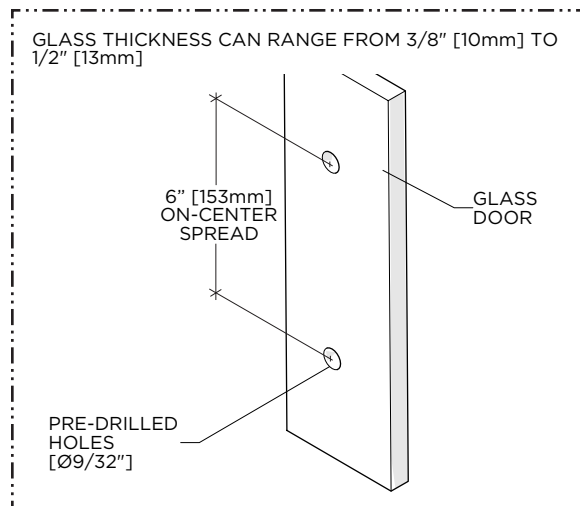


STYLE

FRHW88

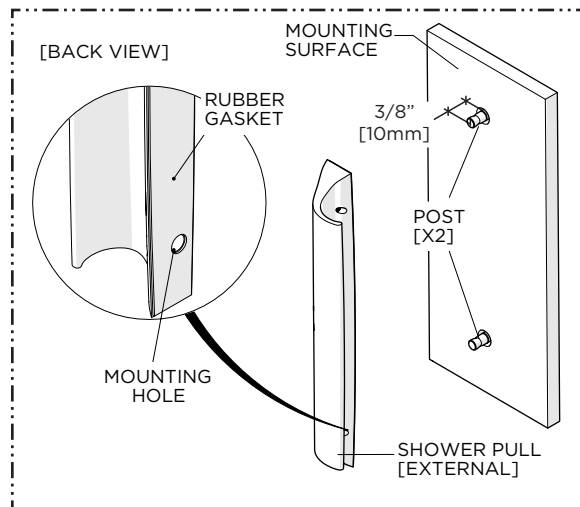
IMPORTANT:

- To ensure this product is installed properly, you must read and follow these guidelines.
- The owner/user of this product must keep this information for further reference.
- This product must be installed by a professional licensed contractor.
- This product can be installed on glass that ranges from 3/8" [10mm] - 1/2" [13mm] in thickness using the hardware provided.
- Inspect this product to ensure you have all the parts required for proper installation.
- To avoid damaging the product, do NOT use power tools during installation.
- If further assistance is required, please contact Product Support at 1-800-927-2120 Monday through Friday, 8am - 6pm EST



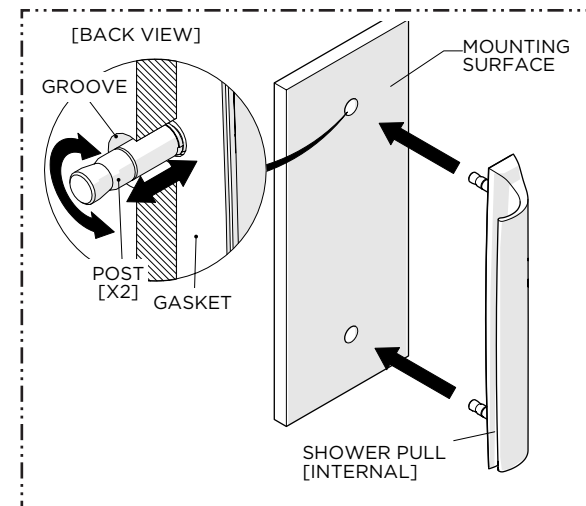
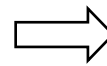
1. Drill two 9/32" [7mm] diameter holes on the mounting surface at the required on-center spread of 6" [152mm].

NOTE: Ensure the holes are level and verify the on-center spread.



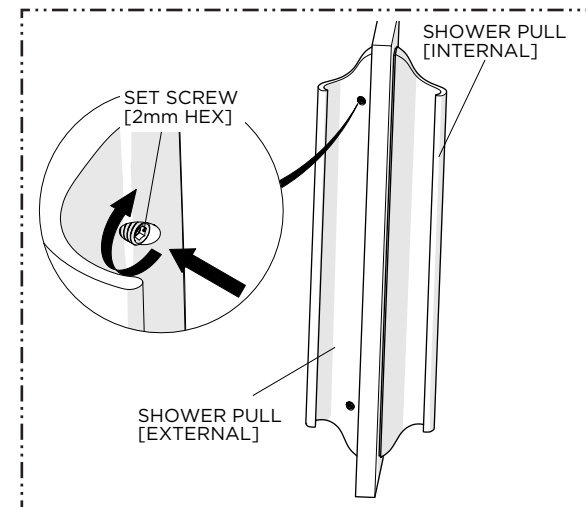
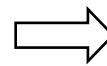
3. Using the GASKET provided, slide the SHOWER PULL (B) onto the POSTS until it contacts the mounting surface.

NOTE: Ensure the POST protrudes 3/8" [10mm] from the MOUNTING SURFACE.



2. Using the GASKET provided, insert the POSTS on the SHOWER PULL (A) into the pre-drilled holes.

NOTE: Post can be unthreaded so that the groove lines up with glass.



4. Thread and securely tighten the SET SCREWS to complete the installation.

NOTE: To ensure the PULLS are properly aligned, a second [2nd] installer can hold the PULLS in position while another tightens the SET SCREWS.