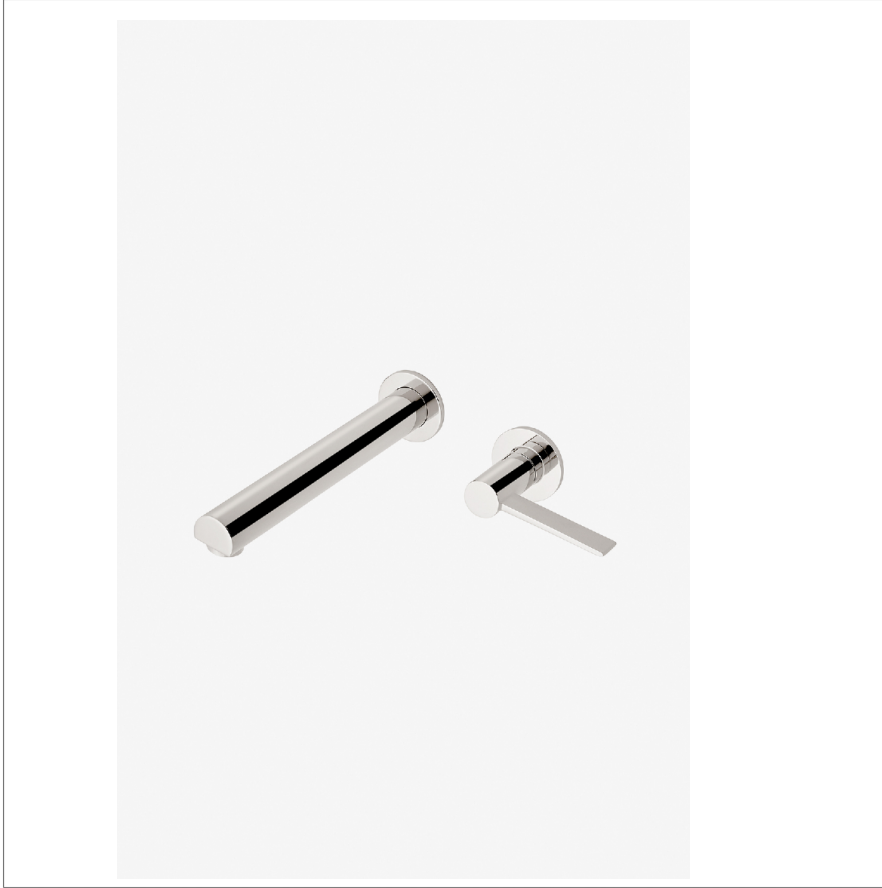


## Finot

NLS320

Finot Wall Mounted Lavatory with Single Lever Handle



SHOWN IN FINOT WALL MOUNTED LAVATORY WITH SINGLE LEVER HANDLE | NLS320

### TECHNICAL DETAILS

Deck Thickness Maximum: 44 mm  
 Deck Thickness Minimum: 6 mm  
 Drain Depth Maximum: 51 mm  
 Drain Depth Minimum: 10 mm  
 Drain Hole Diameter: 38 mm  
 Drain Style: Push Touch  
 Fittings Hole Diameter: 35 mm  
 Handle Spread Maximum: 114 mm  
 Handle Spread Minimum: 114 mm  
 Handle Turn Angle: Quarter Turn  
 Inlet Connection Size: 1/2"  
 Inlet Connection Type: Female NPT  
 Inlet Supply Spread Maximum: 30 mm  
 Inlet Supply Spread Minimum: 30 mm  
 Number Of Holes: Two Hole  
 Primary Material: Brass  
 Restricted Maximum Flow Rate: 4.5 liters/min  
 Spout Swivel: N  
 Valve Material: Ceramic  
 Water Pressure Maximum: 6.0 bar  
 Water Pressure Minimum: 1.5 bar  
 Water Pressure Recommended: 3.0 bar

### INSPIRATION

Finot seamlessly blends meticulous details with contemporary sensibility. A true integration of design and engineering expertise, this collection is comprised of parts that are decisively cast and forged to achieve painstaking precision and refinement.

### CODES & STANDARDS

NLS320X, NSF/ANSI/CAN 61:Q < 1, ASME A112.18.1/CSA B125.1, CEC, State of MA

### PRODUCT FEATURES

Lever Handle

Includes Universal Push-Touch Drain (UNLD23) which fits 1-1/2" through 1-3/4" drain hole openings

Available in 1.2gpm (4.5L/min) flow rate

Stocked In Chrome, Nickel, Brass and Dark Nickel

### CERTIFICATIONS

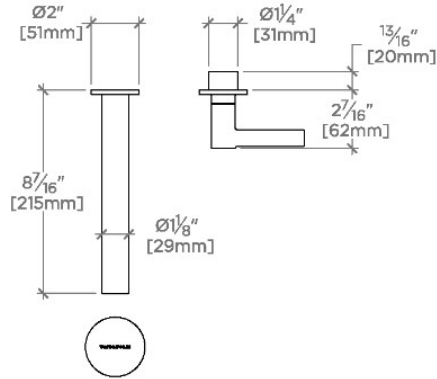


### PRODUCT (NOTES)

## Finot

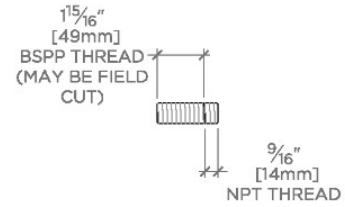
NLS320

Finot Wall Mounted Lavatory with Single Lever Handle

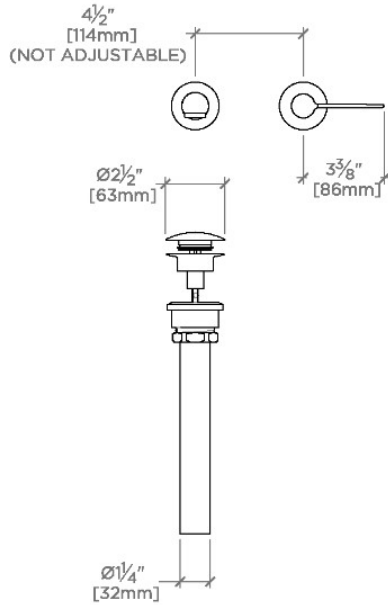


TOP VIEW

SCALE: 1/2"=1'-0"

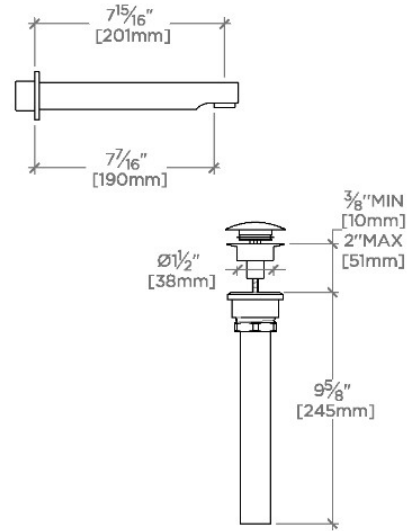


ADAPTER INCLUDED-  
INTERNATIONAL USE ONLY



FRONT VIEW

SCALE: 1/2"=1'-0"



SIDE VIEW

SCALE: 1/2"=1'-0"