

REGULATOR

GDUN01

Regulator Pair of Deck Mount Exposed Tub Filler Unions



SHOWN IN REGULATOR PAIR OF DECK MOUNT EXPOSED TUB FILLER UNIONS | GDUN01

TECHNICAL DETAILS

ADA Compliance: No

INSPIRATION

A play on industrial controls from the early 1900s, when pride was lavished on parts. Translated to handcrafted, fittings project rugged beauty through powerful, detailed shapes.

CODES & STANDARDS

GDUN01X, ASME A112.18.1/CSA B125.1, State of MA

PRODUCT FEATURES

Designed to Install with Regulator Deck Mounted Exposed Tub Filler. Purchased Separately.

Brass Construction

CERTIFICATIONS



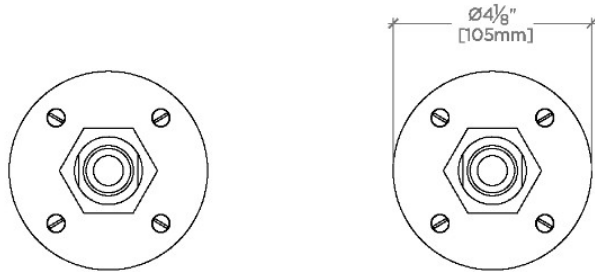
PRODUCT (NOTES)

WATERWORKS

REGULATOR

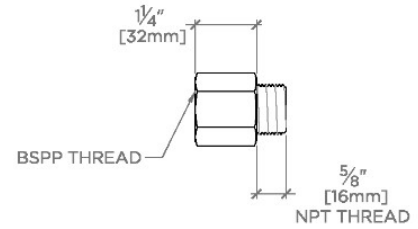
GDUN01

Regulator Pair of Deck Mount Exposed Tub Filler Unions

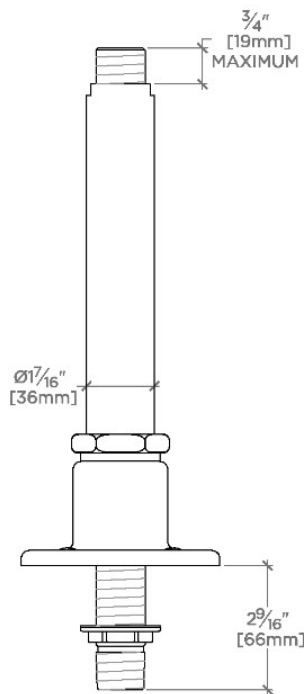


TOP VIEW

SCALE: 3"=1'-0"

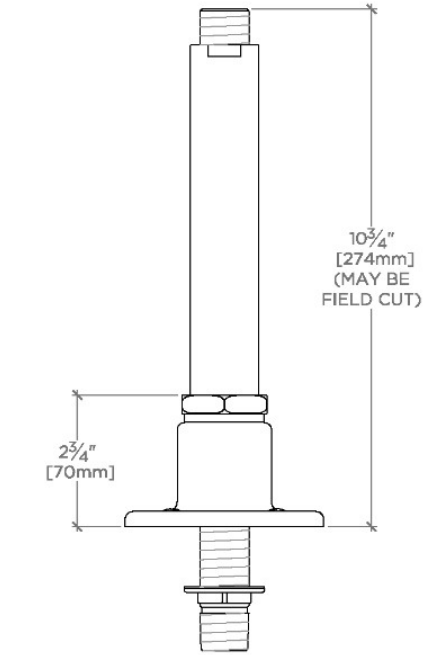
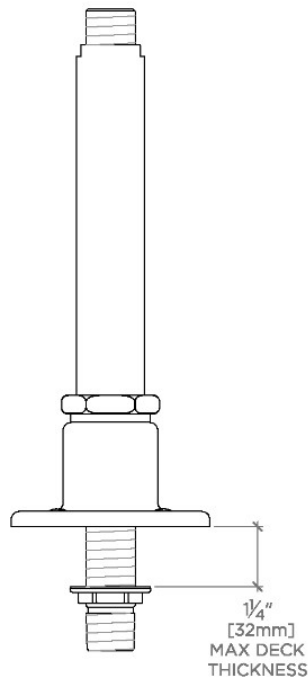


2 NO'S UNUK05
ADAPTERS INCLUDED-INTERNATIONAL USE ONLY



FRONT VIEW

SCALE: 3"=1'-0"



SIDE VIEW

SCALE: 3"=1'-0"