

Regulator

RGTH02

Regulator Thermostatic Control Valve Trim with Wheel Handle



SHOWN IN REGULATOR THERMOSTATIC CONTROL VALVE TRIM WITH WHEEL HANDLE | RGTH02

TECHNICAL DETAILS

ADA Compliance: No
 Depth/Width: 94 mm
 Fittings Hole Diameter: 133 mm
 Height: 203 mm
 Integrated Diverter: N
 Length: 203 mm
 Primary Material: Brass
 Suggested Application: Bath
 Water Pressure Maximum: 6.0 bar
 Water Pressure Minimum: 1.5 bar
 Water Pressure Recommended: 3.0 bar

INSPIRATION

A play on industrial controls from the early 1900s, when pride was lavished on parts. Translated to handcrafted, fittings project rugged beauty through powerful, detailed shapes.

CODES & STANDARDS

ASME A112.18.1/CSA B125.1, State of MA

PRODUCT FEATURES

Wheel Handle

Allows Bather to Adjust Temperature of All Waterway Outlets

Features Anti-Scald Protection Through an Integrated High Limit Safety Stop

Stocked in Nickel and Brass

Requires Rough Valve, Sold Separately: GUTH60 (1/2") or GUTH37 (3/4")

CERTIFICATIONS

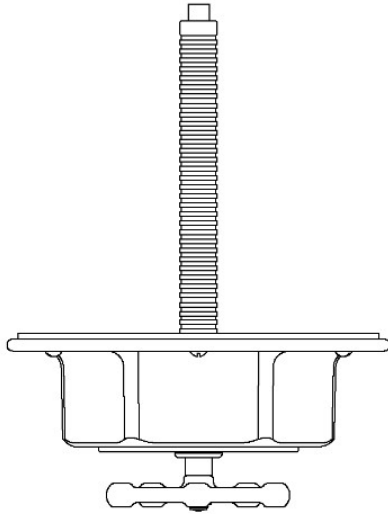


PRODUCT (NOTES)

Regulator

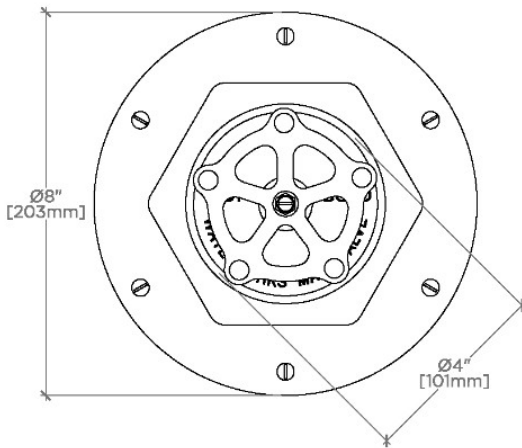
RGTH02

Regulator Thermostatic Control Valve Trim with Wheel Handle



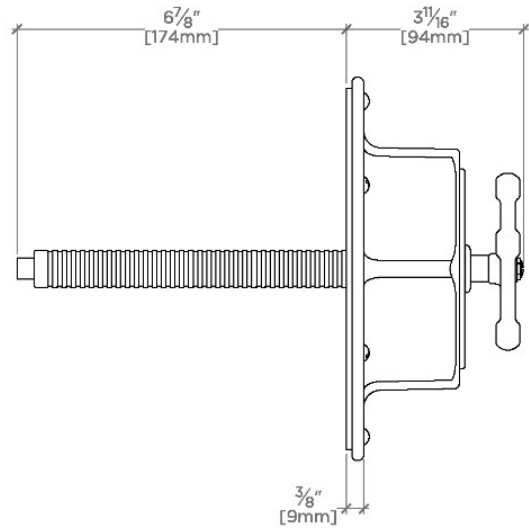
TOP VIEW

SCALE: 3"=1'-0"



FRONT VIEW

SCALE: 3"=1'-0"



SIDE VIEW

SCALE: 3"=1'-0"