

MARGAUX

MABT01

Margaux 72" x 29" x 27 1/2" Freestanding Oval Cast Iron Bathtub



SHOWN IN MARGAUX 72" X 29" X 27 1/2" FREESTANDING OVAL CAST IRON BATHTUB | MABT01

TECHNICAL DETAILS

Adjustable Levelers Feet: N
 Bathing Type: Bathing and Soaking
 Bathing Well Sitting Angle: 108 degree_angle
 Depth To Overflow: 18 7/8"
 Depth/Width: 30"
 Drain Hole Depth: 1"
 Drain Hole Diameter: 2"
 Drilling Option: None
 Height: 27"
 Installation Type: Freestanding
 Item Weight Filled: 1063.0 pounds
 Length: 70"
 Material Wall Thickness: 5/16"
 Overflow Hole Diameter: 2"
 Overflow Opening: Yes
 Primary Material: Cast Iron
 Single Or Double Ended: Double Ended
 Suggested Application: Bath
 Waste And Overflow Outlet Spread: 14 1/4"

INSPIRATION

Vintage European tub styling in a larger silhouette encourages luxuriously long baths. Gracious, gentle curves are highlighted by the rich patina of the burnished cast iron exterior and cool, white enamel interior.

CODES & STANDARDS

PRODUCT FEATURES

The flared skirt of Margaux emphasizes the bold ogee base of the tub.

Double ended and wider for added comfort and easy installation.

Available with optional slip resistant bottom, a built in safety feature.

The exterior of primed bathtubs must be finished with a high quality paint before installation.

Due to the manual finishing process, burnished bathtubs will show variation in the amount of exterior finish distress.

CERTIFICATIONS

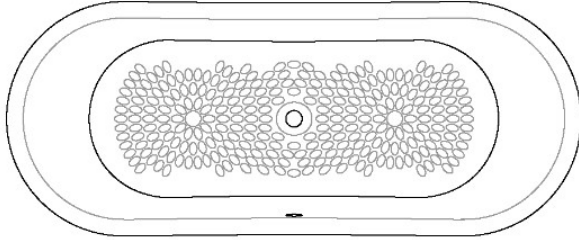
Dimensions of fixtures are nominal. Measure your actual **PRODUCT NOTES** installation of this product in a wet environment such as outdoors, steam rooms, or within showering stalls voids all Warranty.

WATERWORKS

MARGAUX

MABT01

Margaux 72" x 29" x 27 1/2" Freestanding Oval Cast Iron Bathtub



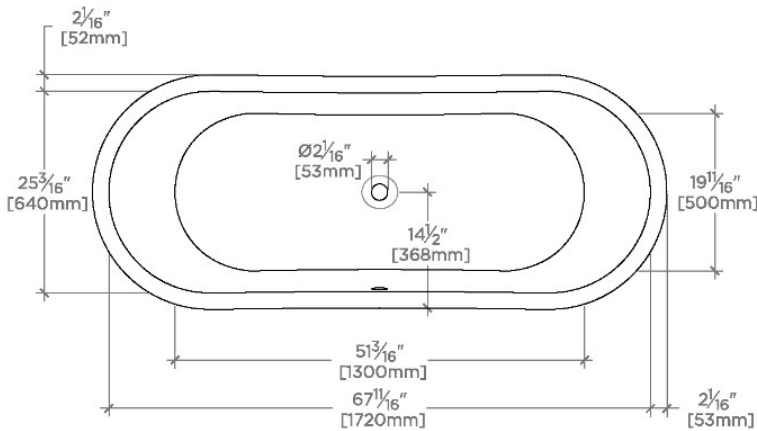
OPTIONAL SLIP RESISTANT

SCALE: 1/2"=1'-0"

RECOMMENDED WASTE & OVERFLOW STYLE #:

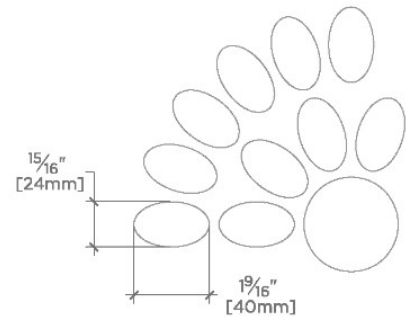
MAWO10 - Waste and Overflow

Dimensional Tolerance	
> 7/8" [200mm]	± 0.8%
< 7/8" [200mm]	± 1.8%

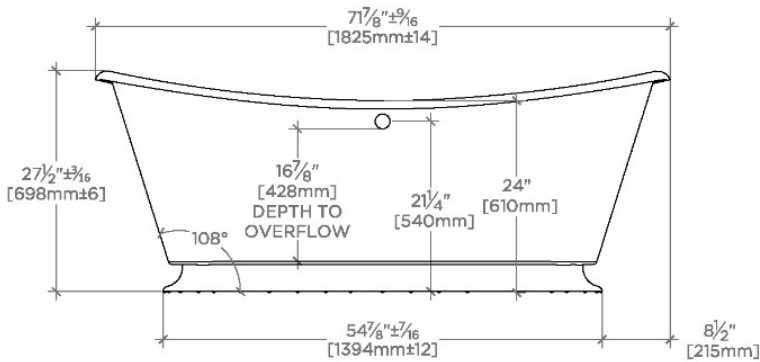


TOP VIEW

SCALE: 1/2"=1'-0"

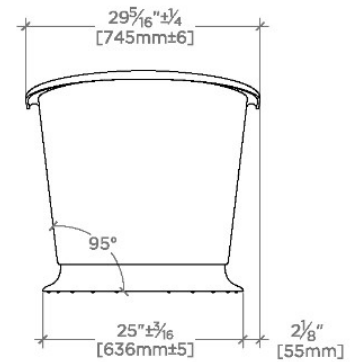


SLIP RESISTANCE PATTERN SCALE: 1/2"=1'-0"



SIDE VIEW

SCALE: 1/2"=1'-0"



END VIEW

SCALE: 1/2"=1'-0"