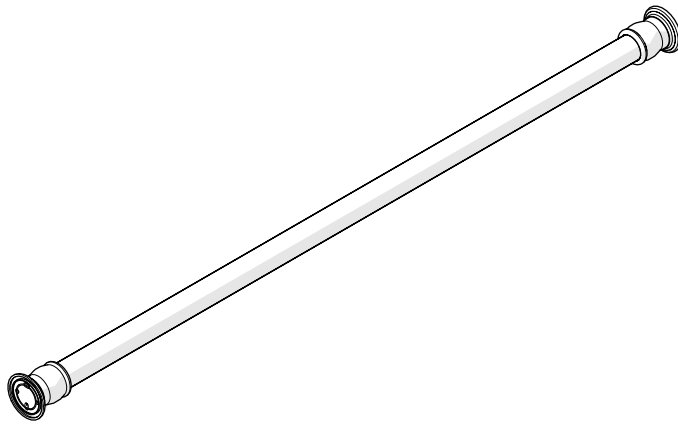


# INSTALLATION GUIDELINES

## SHOWER ROD



ESSENTIALS 72" SHOWER ROD

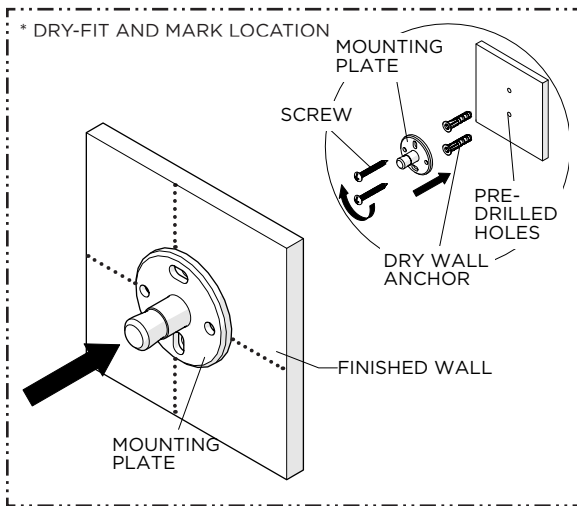
STYLE
ESR072

### IMPORTANT:

- To ensure this product is installed properly, you must read and follow these guidelines.
- The owner/user of this product must keep this information for future reference.
- This product must be installed by a professional licensed contractor.
- Inspect this product to ensure you have all the parts required for proper installation.
- Use only a strap wrench or protected/smooth-jaw wrench on any finished surface.
- DRYWALL ANCHORS, intended for use in a typical 1/2" drywall installation, are provided. Do **NOT** use the ANCHORS if mounting directly onto wood blocking or a stud.
- If further assistance is required, please contact Product Support at 1-800-927-2120 Monday through Friday, 8am - 6pm EST.

### TECHNICAL DETAILS:

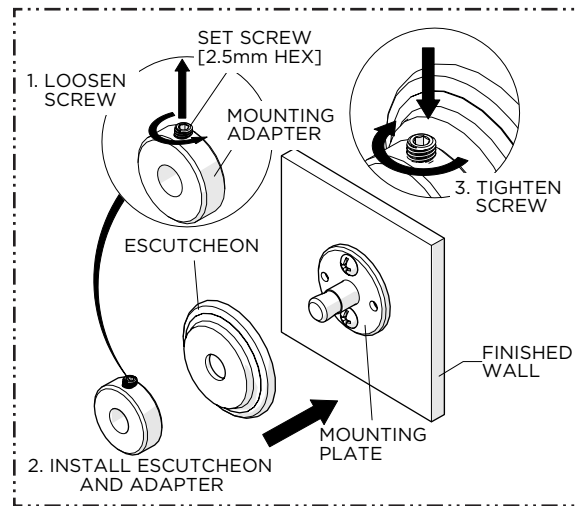
DETAIL	SPECIFICATION
PRIMARY MATERIAL	BRASS
TUBE DIAMETER	Ø1" [25mm]



1. Dry-fit the MOUNTING PLATES to the finished wall and mark the ideal location making sure the PLATES are aligned and level to each other. Using the marks as a reference:

Drill pilot holes to accommodate the SCREWS provided if mounting directly into stud/blocking material or,

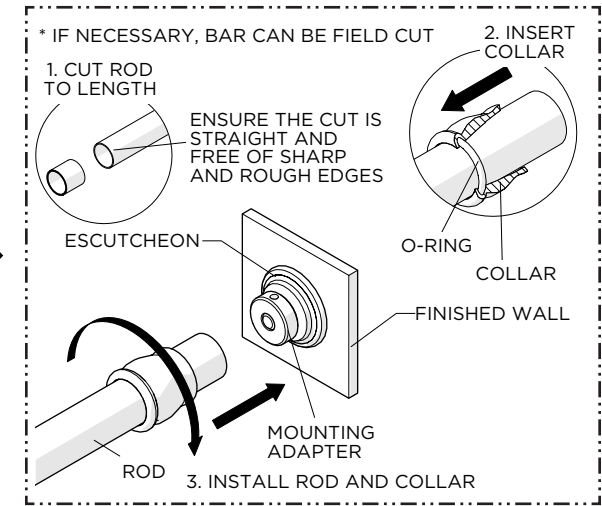
Drill holes to accommodate the ANCHORS provided if not mounting directly into stud/blocking material.



2. Loosen, but do **NOT** remove, the SET SCREW on MOUNTING ADAPTERS.

Slide an ESCUTCHEON and MOUNTING ADAPTER over each MOUNTING PLATE.

Tighten the SET SCREWS.



3. Cut the ROD length to 1/16" [2mm] less than the distance between the MOUNTING ADAPTERS.

Slide the O-RING end of the COLLARS over the ROD until the ROD protrudes slightly from the other end of the COLLARS.

Position the ROD and COLLARS between the ADAPTERS then thread the COLLARS down until they contact the ESCUTCHEONS.