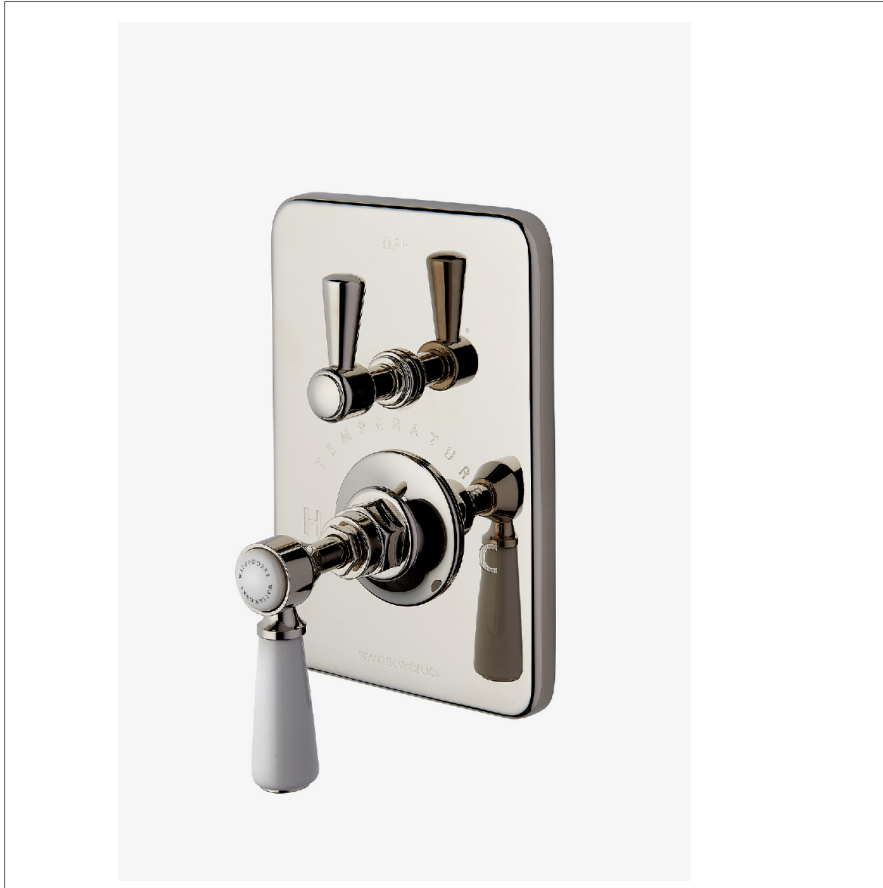


Highgate

HGTH32

Highgate Integrated Thermostatic and Diverter Trim with Porcelain Lever Handle



SHOWN IN HIGHGATE INTEGRATED THERMOSTATIC AND DIVERTER TRIM WITH PORCELAIN LEVER HANDLE | HGTH32

TECHNICAL DETAILS

ADA Compliance: Yes
 Integrated Diverter: Y
 Number Of Holes: One Hole
 Primary Material: Brass

INSPIRATION

Our take on old English style: simple, functional shapes, detailed with white porcelain indices and hexagonal accents for a timeless feel.

CODES & STANDARDS

ASME A112.18.1/CSA B125.1, State of MA

PRODUCT FEATURES

- Features Porcelain Lever Handle
- Smooth handle operation with haptic "clicks" at each diverter position for tactile feedback
- A solid brass trim plate features engraved TEMPERATURE along with H and C markings.
- Stocked in Chrome, Nickel and Brass
- Requires rough valve, sold separately: GUTH62 or GUTH63 (USA) or GU62TH or GU63TH (UK/International)

CERTIFICATIONS

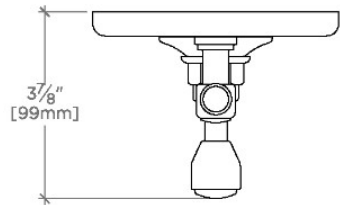


PRODUCT (NOTES)

Highgate

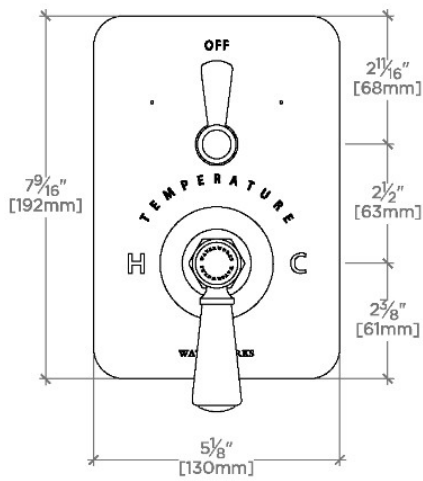
HGTH32

Highgate Integrated Thermostatic and Diverter Trim with Porcelain Lever Handle



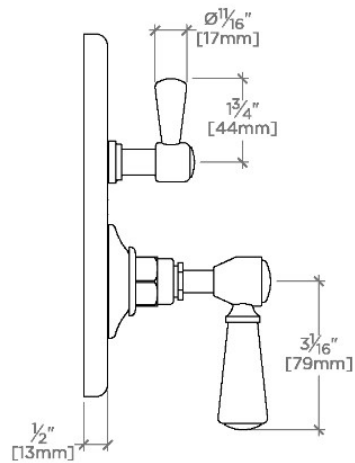
TOP VIEW

SCALE: 3"=1'-0"



FRONT VIEW

SCALE: 3"=1'-0"



SIDE VIEW

SCALE: 3"=1'-0"