

Bond

BTH32A

Bond Tandem Series Integrated Thermostatic and Volume Control Trim with Guilloche Lines Knob and Lever Handles



SHOWN IN BOND TANDEM SERIES INTEGRATED THERMOSTATIC AND VOLUME CONTROL TRIM WITH GUILLOCHE LINES KNOB AND LEVER HANDLES | BTH32A

TECHNICAL DETAILS

ADA Compliance: Yes
 Integrated Diverter: N
 Number Of Holes: Two Hole
 Primary Material: Brass

INSPIRATION

Bond draws inspiration from the Aesthetic Movement, rare vintage lighters, and modern industrial design. The result is a contemporary collection with a soulful quality that inhabits the full range of modern style, from austere minimalism to warm contemporary.

CODES & STANDARDS

ASME A112.18.1/CSA B125.1, State of MA

PRODUCT FEATURES

Knob and Lever Handles

Allows bather to adjust temperature of all waterway outlets with a hot limit safety stop providing anti-scald protection

Features Linear Guilloche Etching Lever and Knob Handles

Stocked in Nickel and Brass

Requires rough valve, sold separately: GUTH71 (USA) or GU71TH (UK/International)

CERTIFICATIONS

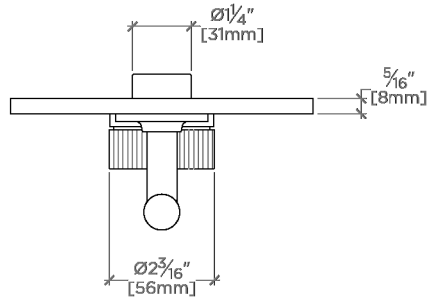


PRODUCT (NOTES)

Bond

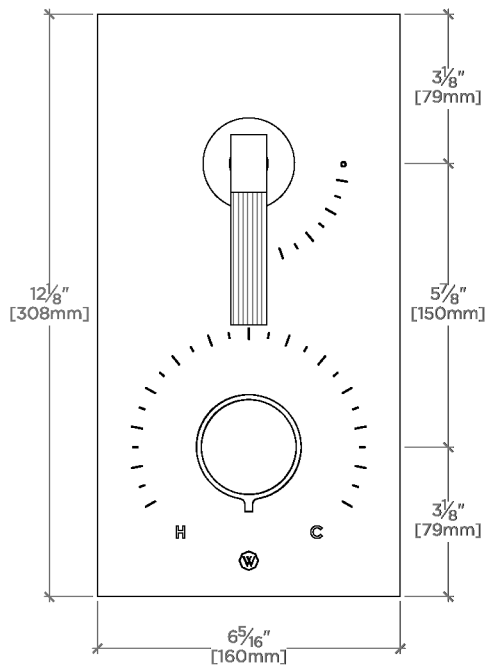
BTH32A

Bond Tandem Series Integrated Thermostatic and Volume Control Trim with Guilloche Lines Knob and Lever Handles



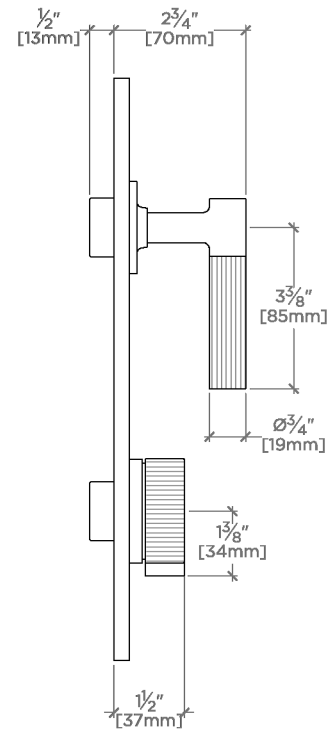
TOP VIEW

SCALE: 3"=1'-0"



FRONT VIEW

SCALE: 3"=1'-0"



SIDE VIEW

SCALE: 3"=1'-0"