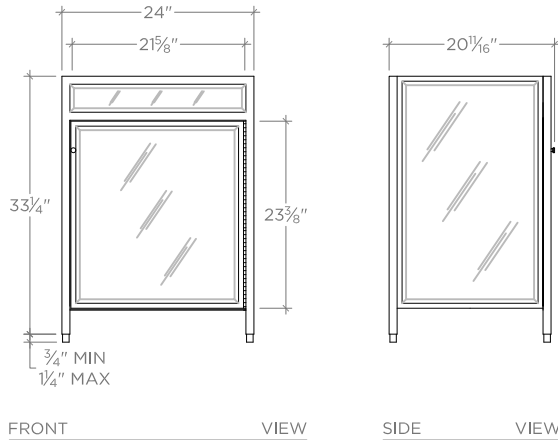
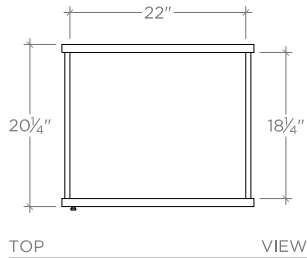


STYLE No. HNVN01 (Left Hinge or Right Hinge)
Right Hinge Shown Below



SPECIFICATIONS:

Adjustable Levelers/Feet: Yes
Recommended Rough-in Supply Height: 21"
Recommended Rough-in Supply Spread: 9"
Recommended Rough-in Waste Height: 19"

IMPORTANT:

- To ensure this product is installed properly, you must read and follow these guidelines.
- The owner/user of this product must keep this information for future reference.
- Install blocking or position over a stud to properly secure the fixture.
- Slab top, fitting and lavatory sold separately.
- Be sure your installation conforms to all federal, state, and local codes.
- This product must be installed by a professional licensed contractor.
- Refer to the specification and assembly drawings attached. Product is sold partially assembled but shown fully disassembled for illustrative and service purposes only.

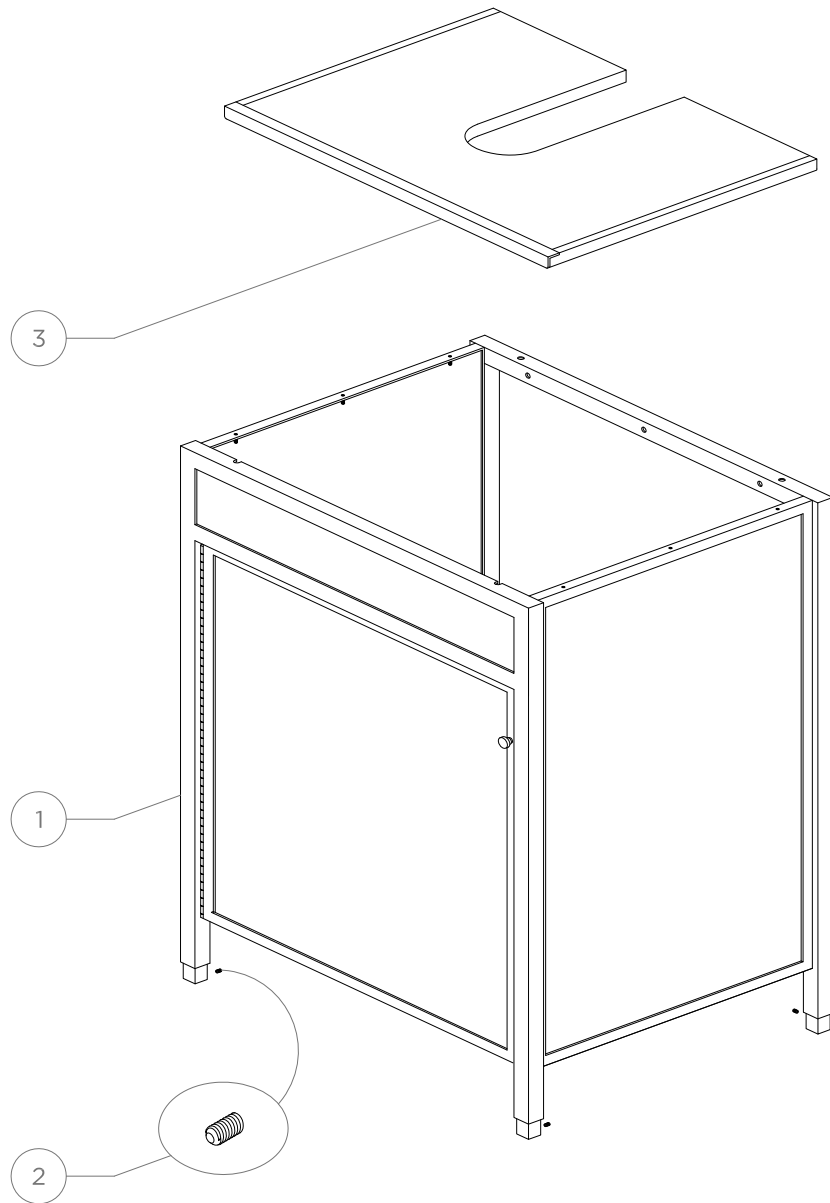
- Inspect this product to ensure you have all parts required for proper installation.

INSTALLATION:

1. Place the vanity (1) at its final location.
 2. Loosen the set screws (2) to adjust the feet on the vanity to ensure the vanity is level. Once level, securely tighten the set screws.
 3. Secure the vanity to the wall. There are 3 predrilled $\frac{3}{16}$ " holes to allow the vanity to be securely fastened to the wall. **THE MOUNTING HARDWARE IS NOT INCLUDED.**
 4. Install the shelf (3). NOTE: The top of the shelf will sit $16\frac{3}{8}$ " from the top of the vanity.
- If further assistance is required, contact Product Support at 1-800-927-2120 (9am-6pm EST).

These guidelines have been prepared for the professional contractor to aid in the installation of:
HENRY SINGLE VANITY (STYLE No. HNVN01)
All dimensions are based on origin specification and are subject to change and variation.
Please consult your Design Associate for current specifications.

WATERWORKS



ITEM NO.	DESCRIPTION	QTY.
1	Vanity, Left Hinge	1
2	Set Screws, $\frac{5}{64}$ " or 2mm Hex	8
3	Shelf	1

These guidelines have been prepared for the professional contractor to aid in the installation of:
HENRY SINGLE VANITY (STYLE No. HNVN01)
 All dimensions are based on origin specification and are subject to change and variation.
 Please consult your Design Associate for current specifications.

WATERWORKS