

## Regulator

RGTH01

Regulator Thermostatic Control Valve Trim with Two-Tone Wheel Handle



SHOWN IN REGULATOR THERMOSTATIC CONTROL VALVE TRIM WITH TWO-TONE WHEEL HANDLE | RGTH01

### TECHNICAL DETAILS

ADA Compliance: No  
 Depth/Width: 94 mm  
 Fittings Hole Diameter: 133 mm  
 Height: 203 mm  
 Integrated Diverter: N  
 Length: 203 mm  
 Primary Material: Brass  
 Suggested Application: Bath  
 Water Pressure Maximum: 6.0 bar  
 Water Pressure Minimum: 1.5 bar  
 Water Pressure Recommended: 3.0 bar

### INSPIRATION

A play on industrial controls from the early 1900s, when pride was lavished on parts. Translated to handcrafted, fittings project rugged beauty through powerful, detailed shapes.

### CODES & STANDARDS

ASME A112.18.1/CSA B125.1, State of MA

### PRODUCT FEATURES

Two-Tone Wheel Handle

Allows Bather to Adjust Temperature of All Waterway Outlets

Features Anti-Scald Protection Through an Integrated High Limit Safety Stop

Stocked in Nickel/Matte Black and Brass/Matte Black

Requires Rough Valve, Sold Separately: GUTH60 (1/2") or GUTH37 (3/4")

### CERTIFICATIONS

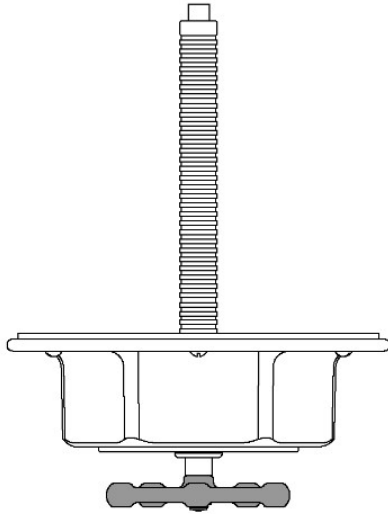


### PRODUCT (NOTES)

## Regulator

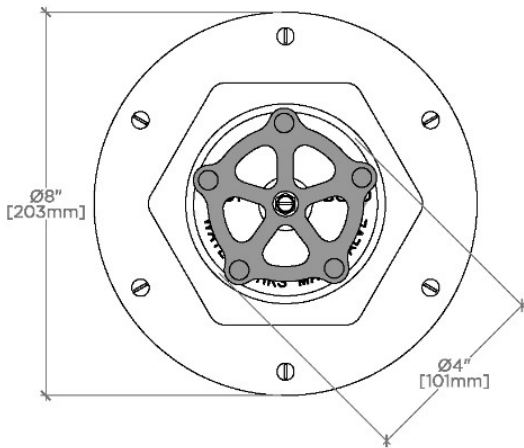
RGTH01

Regulator Thermostatic Control Valve Trim with Two-Tone Wheel Handle



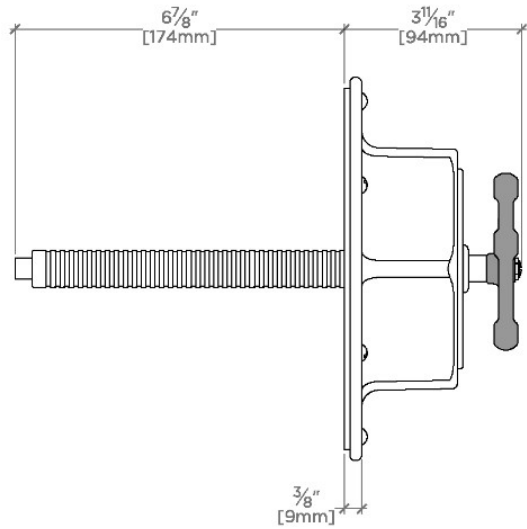
TOP VIEW

SCALE: 3"=1'-0"



FRONT VIEW

SCALE: 3"=1'-0"



SIDE VIEW

SCALE: 3"=1'-0"