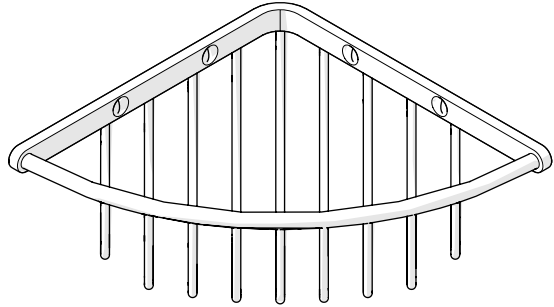


INSTALLATION GUIDELINES

WALL MOUNTED CORNER SHOWER BASKET



ESSENTIALS WALL MOUNTED CORNER SHOWER BASKET

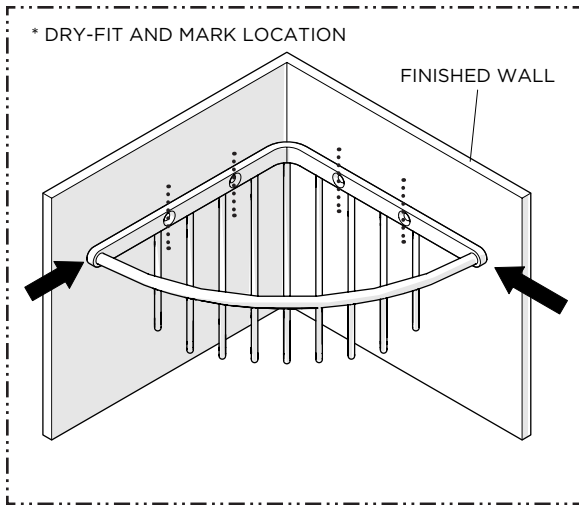
STYLES		
ESB006 [SHOWN]	ESB008	ESB010

IMPORTANT:

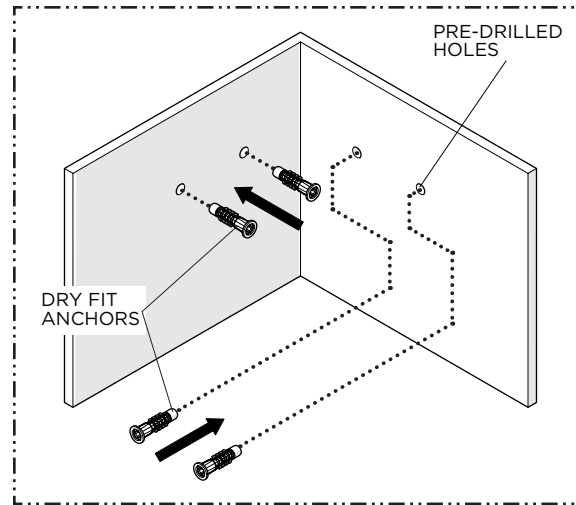
- To ensure this product is installed properly, you must read and follow these guidelines.
- The owner/user of this product must keep this information for future reference.
- This product must be installed by a professional licensed contractor. Inspect this product to ensure you have all the parts required for proper installation.
- DRYWALL ANCHORS, intended for use in a typical 1/2" drywall installation, are provided. Do **NOT** use the ANCHORS if mounting directly onto wood blocking or a stud.
- If further assistance is required, please contact Product Support at 1-800-927-2120 Monday through Friday, 8am - 6pm EST.

TECHNICAL DETAILS:

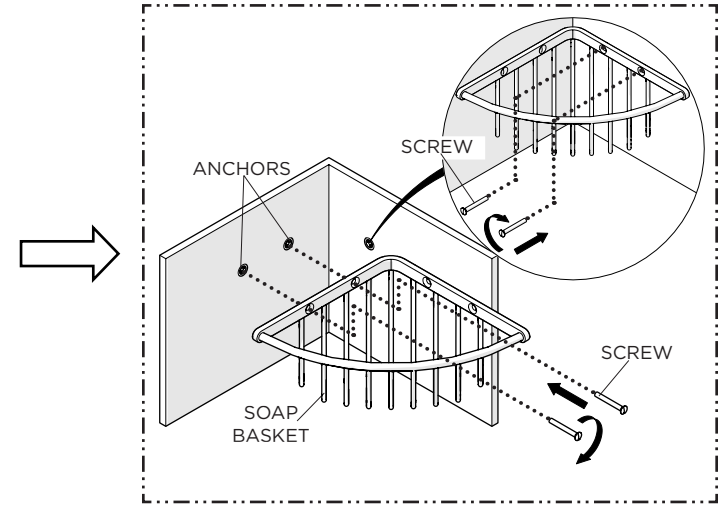
DETAIL	SPECIFICATION
PRIMARY MATERIAL	BRASS



1. Dry-fit the product to the finished wall and mark the ideal location for installation.



2. Using the previous marks as a reference:
 - a. Drill pilot holes to accommodate the SCREWS provided if mounting directly into stud/blocking material or,
 - b. Drill holes to accommodate the ANCHORS provided if not mounting directly into stud/blocking material.



3. Using the SCREWS provided, securely install the SOAP BASKET.