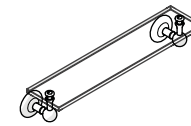


INSTALLATION GUIDELINES

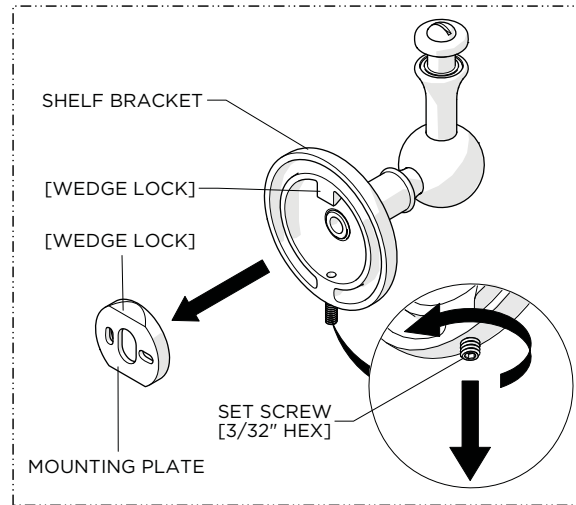


STYLE No. RGSF18

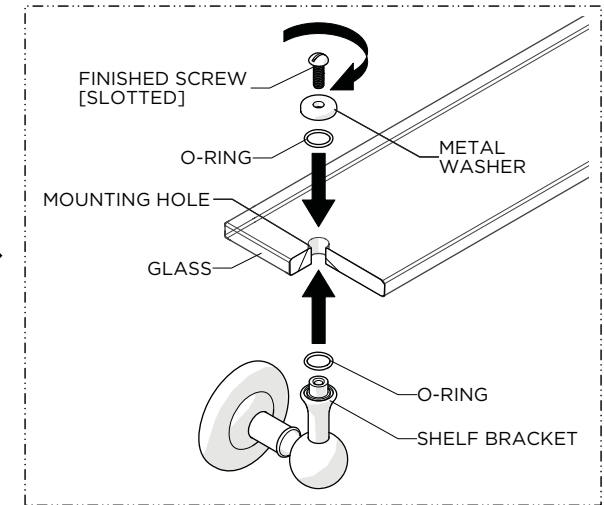
Regulator 18" Glass Shelf

IMPORTANT:

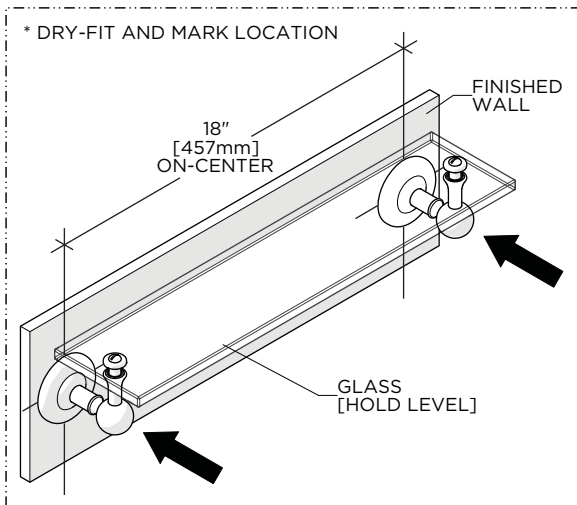
- To ensure this product is installed properly, you must read and follow these guidelines.
- The owner/user of this product must keep this information for further reference.
- This product must be installed by a professional licensed contractor.
- Inspect this product to ensure you have all the parts required for proper installation.
- The mounting SCREWS and ANCHORS provided are intended for use in a typical 1/2" drywall installation.
- If further assistance is required, please contact Product Support at 1-800-927-2120 Monday through Friday, 8am - 6pm EST.
- Refer to the separate Service Parts Documents for available replacement parts.



1. Loosen, but do **NOT** remove, the SET SCREW on the bottom of each SHELF BRACKET using a 3/32" HEX KEY and remove the MOUNTING PLATES.

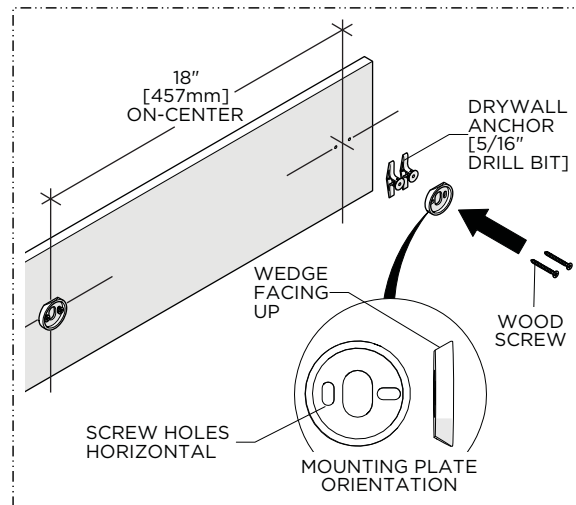


2. **LOOSELY** assemble both the SHELF BRACKETS onto the GLASS making sure to use the O-RINGS provided to prevent damage.



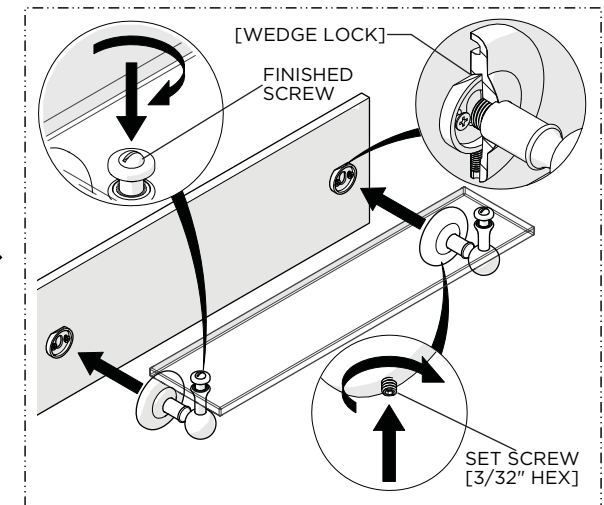
3. Dry-fit the product to the finished wall and mark the ideal location making sure to hold the product level.

NOTE: Verify the 18" [457mm] on-center spread.



4. Using the previous marks as a reference, install the MOUNTING PLATES using the SCREWS and ANCHORS provided.

CAUTION: Ensure the MOUNTING PLATES are in the correct orientation, level, and at the 18" [457mm] on-center spread.



5. Place the BRACKETS over the MOUNTING PLATES and securely tighten the SET SCREWS FINISHED and FINISHED SCREWS.

NOTE: The SET SCREWS should face towards the bottom.