

VOLTAIRE

VOBT01

Voltaire 67" x 31" x 24" Freestanding Oval Cast Iron Bathtub



TECHNICAL DETAILS

Bathing Type: Bathing and Soaking
Bathing Well Sitting Angle: 107 degree_angle
Bottom Angle / Pitch: 1.25 degree_angle
Depth to Overflow: 419 mm
Drain Hole Depth: 25 mm
Drain Hole Diameter: 64 mm
Drilling Option: None
Depth / Width: 787 mm
Height: 610 mm
Installation Type: Freestanding
Item Weight (Filled): 464.9318 kg
Length: 1702 mm
Material / Wall Thickness: 8 mm
Overflow Hole Diameter: 48 mm
Overflow Opening: Yes
Primary Material: Cast Iron
Suggested Application: Bath

INSPIRATION

From its smooth, shaped rim to its riveted base, this industrial tub design incorporates historic detailing and modern comfort. The vintage tone is created through a burnished cast iron exterior that offers a rich patina and a wider, welcoming white enamel interior.

PRODUCT FEATURES

The riveted base detail of Voltaire lends itself to an early industrial influence.
Double ended and wider for added comfort and easy installation.
Available with optional slip resistant bottom, a built in safety feature.
The exterior of primed bathtubs must be finished with a high quality paint before installation.
Due to the manual finishing process, burnished bathtubs will show variation in the amount of exterior finish distress.

PRODUCT (NOTES)

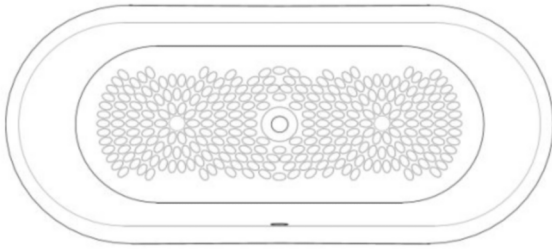
Dimensions of fixtures are nominal. Measure your actual product for rough-in details.

WATERWORKS

VOLTAIRE

VOBT01

Voltaire 67" x 31" x 24" Freestanding Oval Cast Iron Bathtub



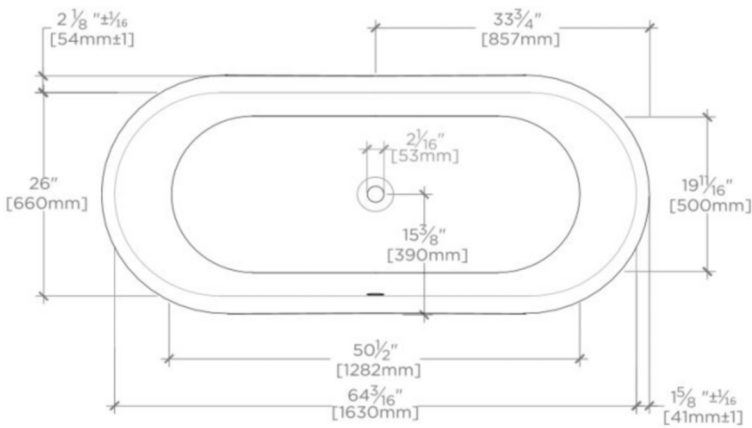
OPTIONAL SLIP RESISTANT

SCALE: 1/2"=1'-0"

RECOMMENDED WASTE & OVERFLOW STYLE #:

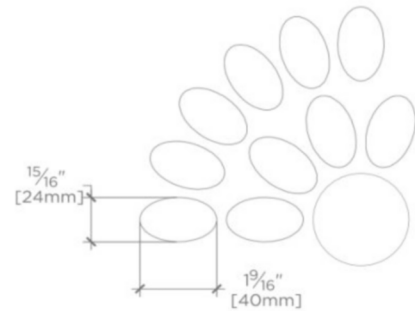
UNWO10 - Waste and Overflow

Dimensional Tolerance	
> 7 ⁷ / ₈ " [200mm]	± 0.8%
< 7 ⁷ / ₈ " [200mm]	± 1.8%



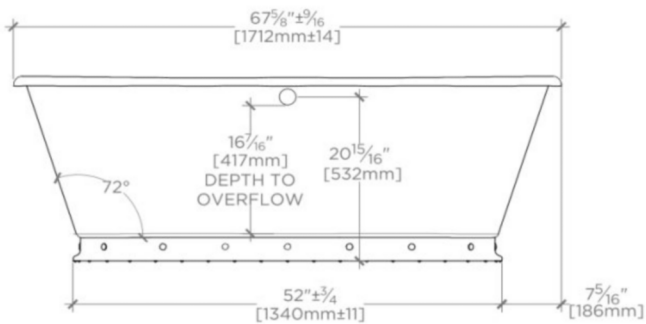
TOP VIEW

SCALE: 1/2"=1'-0"



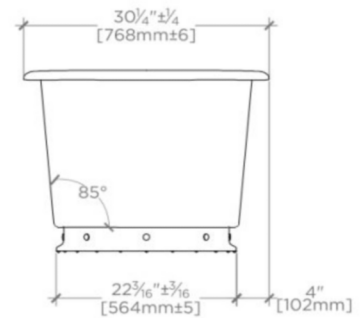
SLIP RESISTANCE PATTERN

SCALE: 3"=1'-0"



SIDE VIEW

SCALE: 1/2"=1'-0"



END VIEW

SCALE: 1/2"=1'-0"