

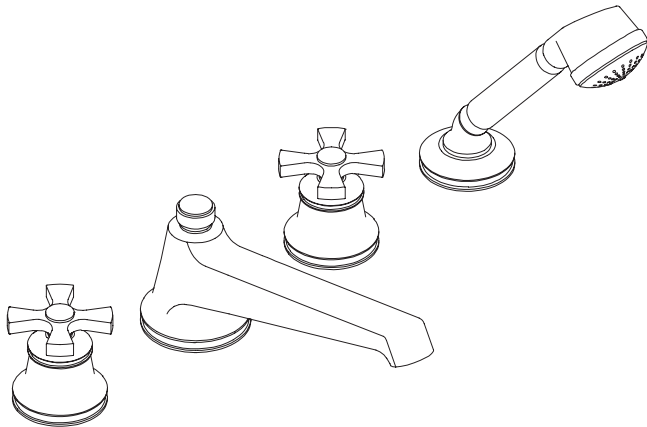
TRANSIT

Low Profile Concealed Tub Filler With Handshower

Installation Guidelines

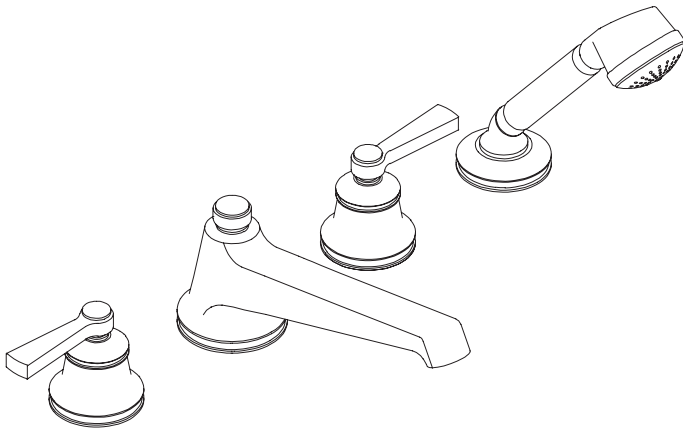
Metal Cross Handles

STYLE No. TRTF01



Metal Cross Handles

STYLE No. TRTF10



SPECIFICATIONS:

Handle Spread: 12" **Maximum**

Handle Spread: 10" **Minimum**

Inlet Connection Size & Type: 1/2" NPSM

Deck Thickness: 1-7/16" **Maximum**

Deck Thickness: 3/8" **Minimum**

Fittings Hole Diameter: Ø1-1/2"

Water Pressure: 80psi **Maximum**

Water Pressure: 20psi **Minimum**

Water Pressure Recommended: 45psi

IMPORTANT:

- To ensure this product is installed properly, you must read and follow these guidelines.
- The owner/user of this product must keep this information for future reference.
- Be sure your installation conforms to all federal, state, and local codes. In the State of Massachusetts, all installations must comply with the rules and regulations set forth within 248 CMR.

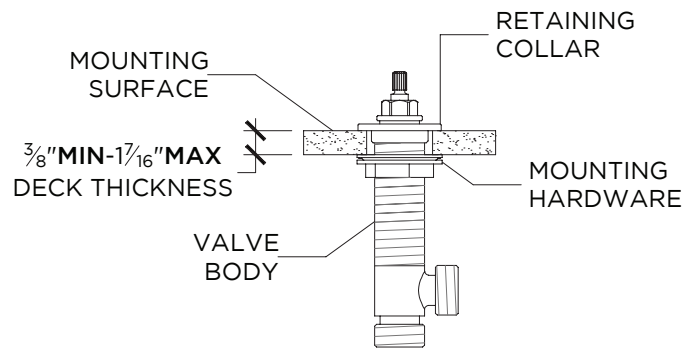
- Anti-scald protection is the responsibility of the installer and according to applicable codes.
- This product must be installed by a professional licensed contractor.
- Product should be on-site prior to rough-in. This allows the installer to visualize the installation and verify the center spread.
- Refer to the specification and assembly drawings attached. Product is **sold partially** assembled but shown fully disassembled for illustrative and service purposes only.
- Inspect this product to ensure you have all the parts required for proper installation.
- For proper installation, the deck surface should be installed prior to mounting this product. Check tub deck and tub measurements to ensure the spout projects far enough into the tub.
- An access panel is required for future servicing. Install accessible **hot** and **cold** service stop valves to facilitate servicing.
- Run 3/4" SUPPLY LINES for **maximum** flow.
- Use only a strap wrench or protected/smooth-jaw wrench on any finished surface.

HANDLE INSTALLATION:

1. Thread the nut (13) onto the valve body (15), then place the metal washer (12) and rubber washer (11) over the valve body.
2. Thread the nut all the way down the valve body, then insert the valve into the hole on the MOUNTING SURFACE from below.
3. Thread the retaining collar (9) onto the valve body (15) until it stops. Make sure the o-ring (10) is under the collar.
4. Allow the collar to rest on the mounting surface and tighten the nut (13) against the underside of the MOUNTING SURFACE to secure the valve body.

NOTE: There is a 3/8" **MINIMUM** deck thickness requirement. See Figure - 01.

FIGURE - 01



These guidelines have been prepared for the professional contractor to aid in the installation of: TRANSIT LOW PROFILE THREE HOLE DECK MOUNTED LAVATORY FAUCET WITH METAL CROSS HANDLES (STYLE No. TRTF01) AND METAL LEVER HANDLES (STYLE No. TRTF10). All dimensions are based on original specification and are subject to change and variation. PLEASE CONSULT YOUR DESIGN ASSOCIATE FOR CURRENT SPECIFICATIONS.

WATERWORKS

TRANSIT

Low Profile Concealed Tub Filler With Handshower

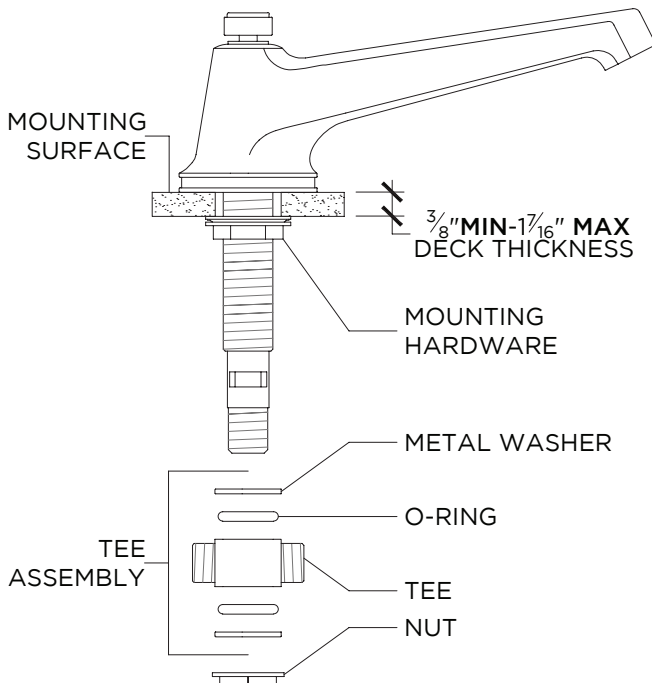
Installation Guidelines

5. Thread the gland cover (7) onto the cartridge until fully seated. Make sure the washer (8) is underneath the cover.
6. Remove the indice assembly (1-2) from the handle (4 or 5) to expose the screw (3).
7. Insert the handle, in the correct orientation, into the gland cover until it stops and has properly attached to the cartridge stem.
8. Thread the screw (3) into the cartridge stem to secure the handle. Re-attach the indice assembly.
9. Repeat Steps 1-8 to install the second valve body and handle.

SPOUT INSTALLATION:

10. Unthread the nut (30) and remove the tee assembly (27-29). Remove the mounting hardware (11-13) from the spout shank.
11. Insert the spout (1) through the hole on the mounting surface. Make sure the washer (8) is underneath the spout.
12. Re-attach the mounting hardware (11-13) to the spout shank and tighten the nut (13) to secure the spout. See Figure - 02.
13. Slide the tee assembly (27-29) onto the spout shank. Thread the nut (30) onto the shank and securely tighten to compress the o-rings (28) and create a water tight seal. See Figure - 02.

FIGURE - 02

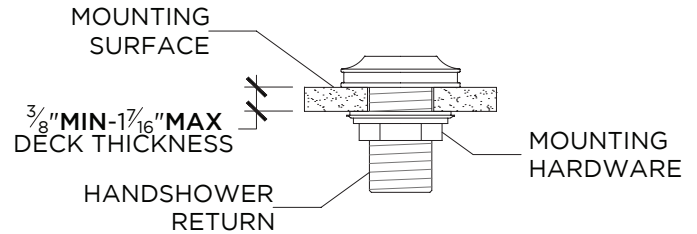


14. Thread the insert housing (33) onto the spout shank. Make sure to use the washer (31) provided and that the check valve (32) is inside the housing.

HANDSHOWER INSTALLATION:

15. Remove the mounting hardware (47-49) from the handshower return (46). Insert the handshower return through the hole on the mounting surface. Make sure the washer (8) is underneath the return.
16. Re-attach the mounting hardware and tighten the nut (49) to secure the return. See Figure - 03.

FIGURE - 03



17. Thread the conical end of the handshower hose (45) onto the handshower (41), then insert the hex end of the hose into the handshower return. The o-ring (42) will allow the handshower to rest securely in the return.

NOTE: A flow regulating check valve (43) is located in the inlet of the handshower.

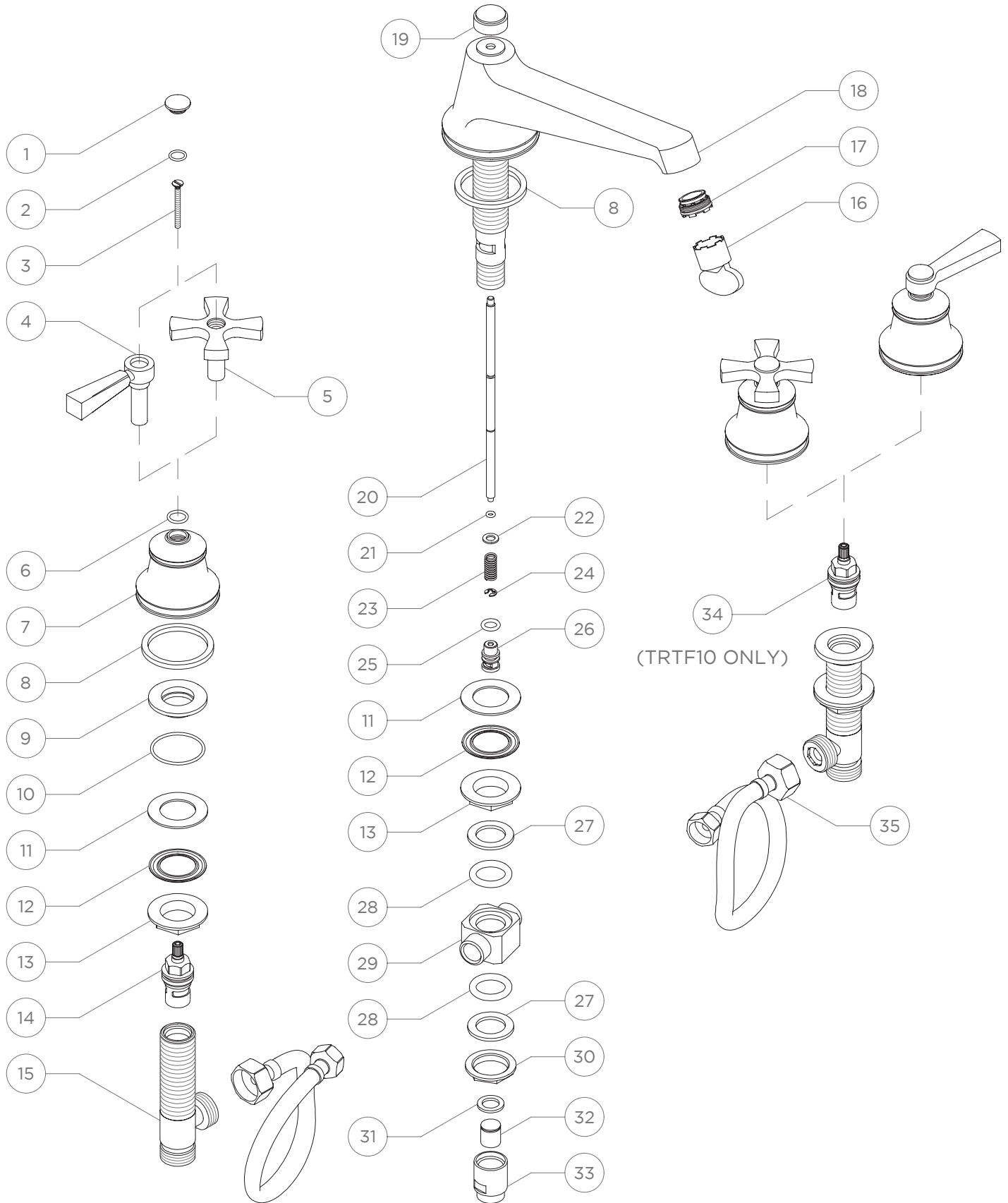
18. Thread the hex end of the hose (45) onto the insert housing (33).

FINAL CONNECTIONS AND INSPECTION:

19. Connect the supply hoses (35) to the tee (29) then to the adjacent valve body (15). Make sure the hoses are not pinched/kinked.
 20. Connect the valve bodies to the water supply valves (**NOT SUPPLIED**).
 21. Remove the flow straightener (17) using the tool (16) provided, then carefully open the **hot** and **cold** valves to flush out any debris in the SUPPLY LINES before diverting to the handshower. To divert to the handshower pull the knob (19) on the top of the spout.
 22. Carefully inspect all connections for **leaks** and check for proper operation before enclosing the unit.
- If further assistance is required, contact Product Support at 1-800-927-2120 (8am-6pm EST).

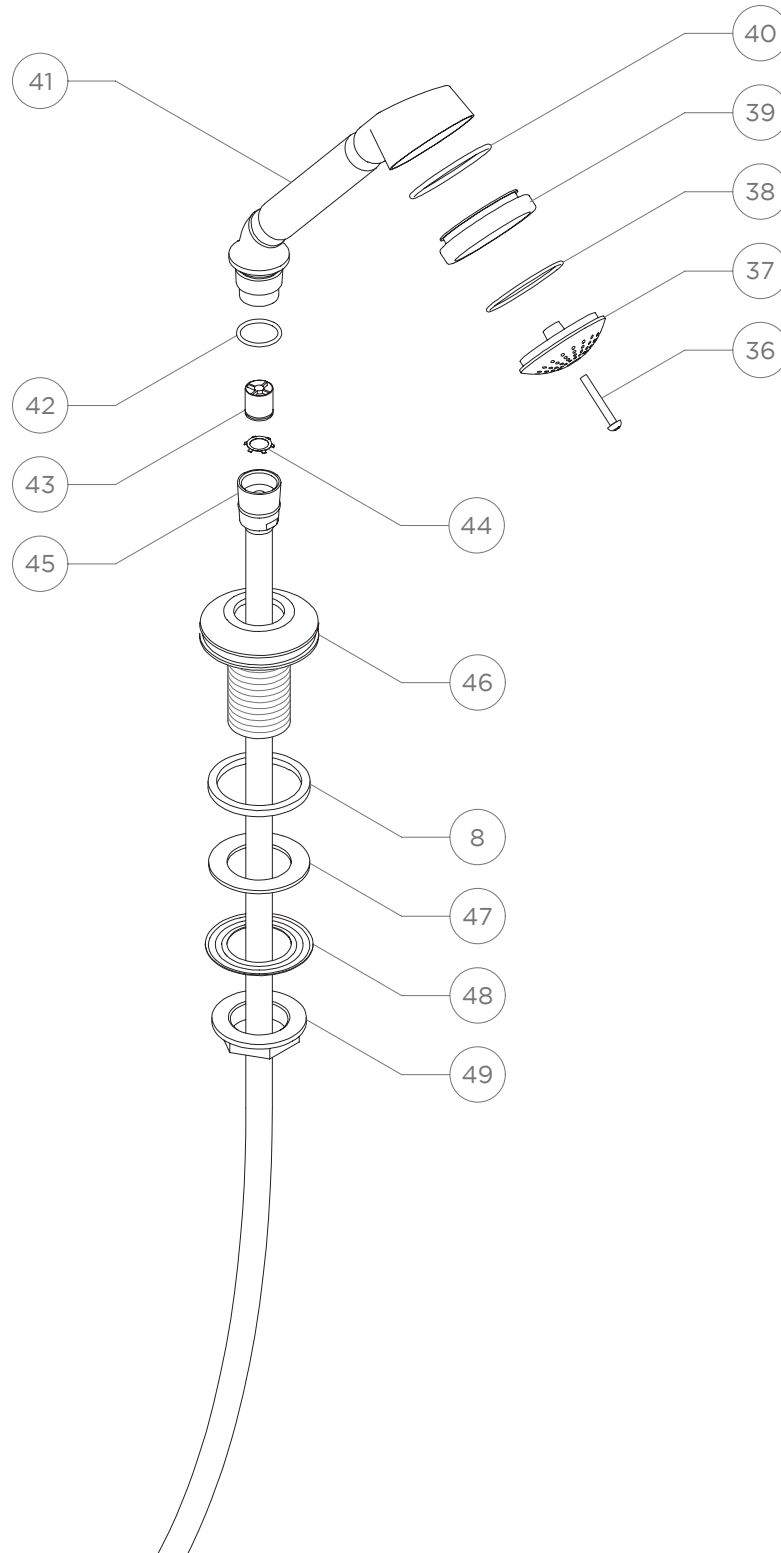
These guidelines have been prepared for the professional contractor to aid in the installation of: TRANSIT LOW PROFILE THREE HOLE DECK MOUNTED LAVATORY FAUCET WITH METAL CROSS HANDLES (STYLE No. TRTF01) AND METAL LEVER HANDLES (STYLE No. TRTF10). All dimensions are based on original specification and are subject to change and variation. PLEASE CONSULT YOUR DESIGN ASSOCIATE FOR CURRENT SPECIFICATIONS.

WATERWORKS



These guidelines have been prepared for the professional contractor to aid in the installation of: **TRANSIT LOW PROFILE THREE HOLE DECK MOUNTED LAVATORY FAUCET WITH METAL CROSS HANDLES (STYLE No. TRTF01) AND METAL LEVER HANDLES (STYLE No. TRTF10).** All dimensions are based on original specification and are subject to change and variation. PLEASE CONSULT YOUR DESIGN ASSOCIATE FOR CURRENT SPECIFICATIONS.

WATERWORKS



TRTF01

ITEM NO.	DESCRIPTION	QTY.
5	Cross Handle, Transit	2
14	Cartridge, CW Close	2

TRTF10

ITEM NO.	DESCRIPTION	QTY.
5	Cross Handle, Transit	2
14	Cartridge, CW Close	2

These guidelines have been prepared for the professional contractor to aid in the installation of:
TRANSIT LOW PROFILE THREE HOLE DECK MOUNTED LAVATORY FAUCET WITH METAL CROSS HANDLES (STYLE No. TRTF01) AND METAL LEVER HANDLES (STYLE No. TRTF10).
 All dimensions are based on original specification and are subject to change and variation.
 PLEASE CONSULT YOUR DESIGN ASSOCIATE FOR CURRENT SPECIFICATIONS.

WATERWORKS

	ITEM NO.	DESCRIPTION	QTY.
	1	Indice, Blank, Transit	2
	2	O-Ring, 10.1mm ID X 1.6mm Width, Rubber	2
	3	Screw, Slotted, 20mm Length	2
	6	O-Ring, 12mm ID X 2mm Width, Rubber	2
	7	Gland Cover, Transit	2
	8	Washer, 45mm ID x 54mm OD x 4mm Thickness, Rubber	4
	9	Retaining Collar	2
	10	O-Ring, 37mm ID X 2mm Width, Rubber	2
	11	Washer, 27mm ID x 45mm OD x 1.5mm Thickness, Rubber	3
	12	Washer, 27mm ID x 43mm OD x 1.5mm Thickness, Metal	3
	13	Nut, Flange, 32mm Hex, Metal	3
	15	Valve Body	2
	16	Aerator, Tool	1
	17	Flow Straightener	1
	18	Spout, Concealed Tub Filler, Low Profile, Transit	1
	19	Diverter Knob, Transit	1
	20	Diverter Rod	1
	21	O-Ring, 3.4mm ID X 1.9mm Thickness, Rubber	1
	22	Washer, 6.8mm ID x 12mm OD x 1.2mm Thickness, Metal	1
	23	Spring	1
	24	Retaining E-Clip	1
COMMON PARTS	25	O-Ring, 9.19mm ID X 2.62mm Width, Rubber	1
	26	Diverter Shuttle	1
	27	Washer, 22.3mm ID x 35mm OD x 2.5mm Thickness, Metal	1
	28	O-Ring, 22mm ID x 5mm Width, Rubber	1
	29	Diverter Tee, 1/2" Male x 1/2" Male	1
	30	Nut, Flange, 30mm Hex, Metal	1
	31	Washer, 13mm ID x 20mm OD x 2mm Thickness, Rubber	1
	32	Check Valve	1
	33	Insert Housing	1
	34	Flexible Supply Hose, 1/2" x 3/4", 600mm Length	2
	36	Face Plate Screw, Phillips	1
	37	Face Plate, Handshower	1
	38	O-Ring, 46mm ID x 2.5mm Thickness, Rubber	1
	39	Face Plate Collar	1
	40	O-Ring, 48mm ID x 1.8mm Thickness, Rubber	1
	41	Handshower	1
	42	O-Ring, Rubber	1
	43	Flow Regulating Check Valve	1
	44	Washer, Tooth Lock, Extranal Tooth, Metal	1
	45	Handshower Hose, 2m Length	1
	46	Handshower Return, Transit	1
	47	Washer, 34mm ID x 53.5mm OD x 2mm Thickness, Rubber	1
	48	Washer, 34mm ID x 57mm OD x 1.5mm Thickness, Metal	1
	49	Nut, Flange, 38mm Hex, Metal	1

These guidelines have been prepared for the professional contractor to aid in the installation of:
TRANSIT LOW PROFILE THREE HOLE DECK MOUNTED LAVATORY FAUCET WITH METAL CROSS HANDLES (STYLE No. TRTF01) AND METAL LEVER HANDLES (STYLE No. TRTF10).
 All dimensions are based on original specification and are subject to change and variation.
 PLEASE CONSULT YOUR DESIGN ASSOCIATE FOR CURRENT SPECIFICATIONS.

WATERWORKS