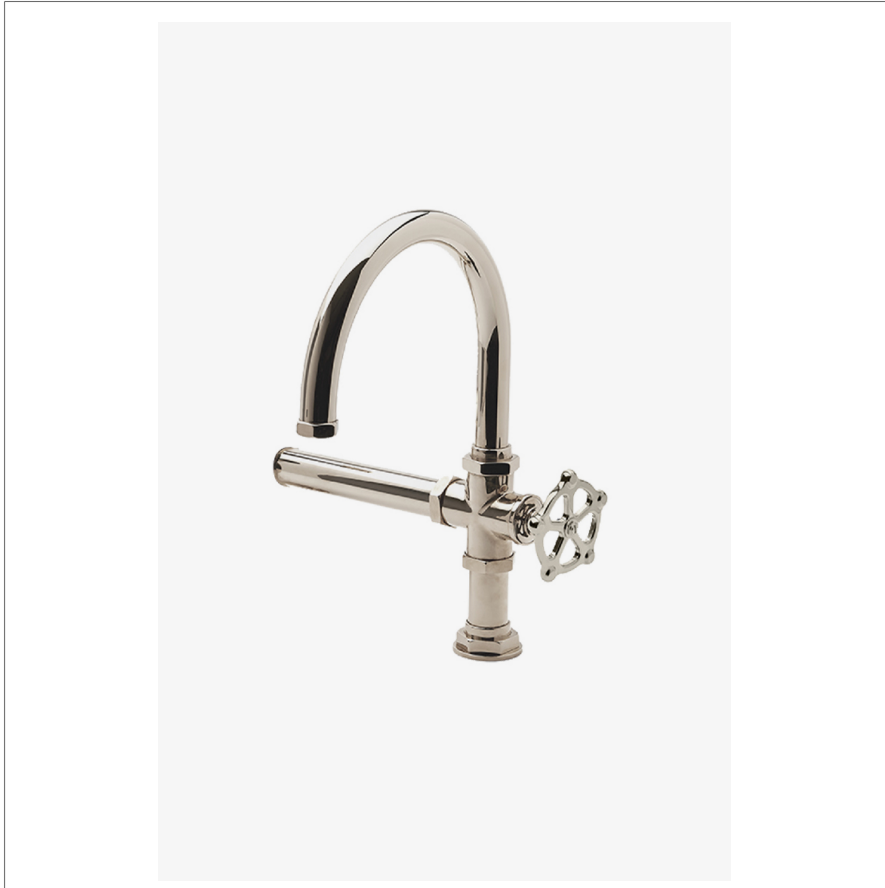


REGULATOR

RGKM7C

COMPONENT ONLY Regulator Add-On Gooseneck Single Inlet Spout with Wheel Handle



SHOWN IN COMPONENT ONLY REGULATOR ADD-ON GOOSENECK SINGLE INLET SPOUT WITH WHEEL HANDLE | RGKM7C

TECHNICAL DETAILS

Deck Thickness Maximum: 2 3/16"
Deck Thickness Minimum: 1/4"
Fittings Hole Diameter: 1 3/4"
Handle Turn Angle: Quarter Turn
Inlet Connection Size: 1/2"
Inlet Connection Type: Female Straight
Water Pressure Maximum: 85.0 psi
Water Pressure Minimum: 20.0 psi
Water Pressure Recommended: 45.0 psi

INSPIRATION

A play on industrial controls from the early 1900s, when pride was lavished on parts. Translated to handcrafted, fittings project rugged beauty through powerful, detailed shapes.

CODES & STANDARDS

RGKM7C-F,RX, NSF/ANSI/CAN 61:Q < 1, NSF/ANSI/CAN 372, CEC

PRODUCT FEATURES

Stocked in Nickel and Brass

Metal Wheel Handle controls volume and on off

Requires RGKM21 for Installation

Spout Installation can be left or right, Center Bar can be field cut or removed

CERTIFICATIONS

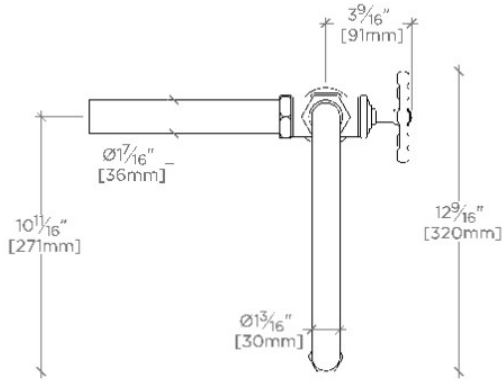
PRODUCT (NOTES)

WATERWORKS

REGULATOR

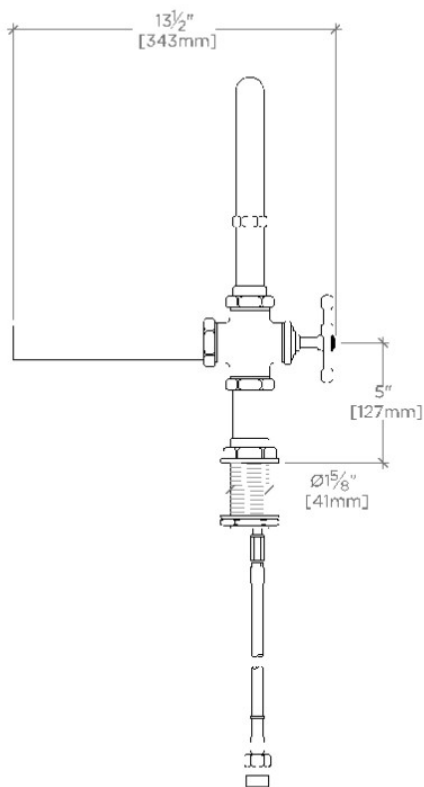
RGKM7C

COMPONENT ONLY Regulator Add-On Gooseneck Single Inlet Spout with Wheel Handle



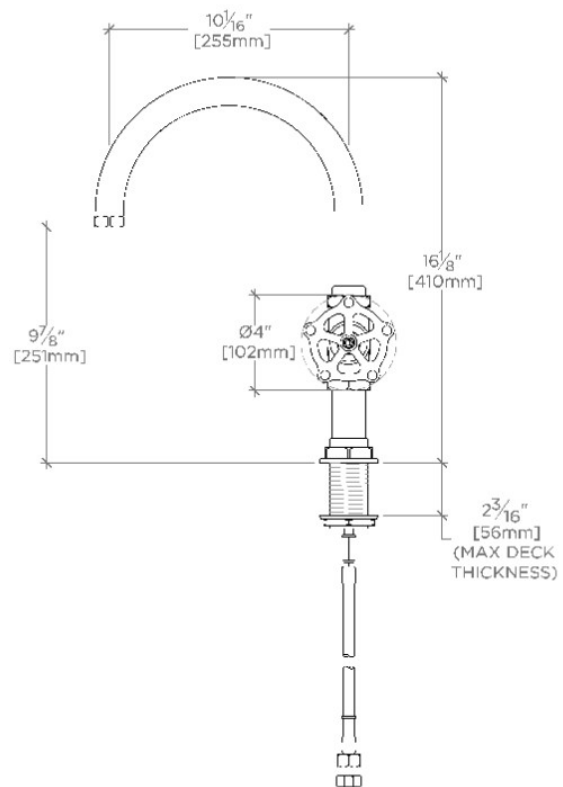
TOP VIEW

SCALE: $1\frac{1}{2}"=1'-0"$



FRONT VIEW

SCALE: $1\frac{1}{2}"=1'-0"$



SIDE VIEW

SCALE: $1\frac{1}{2}"=1'-0"$