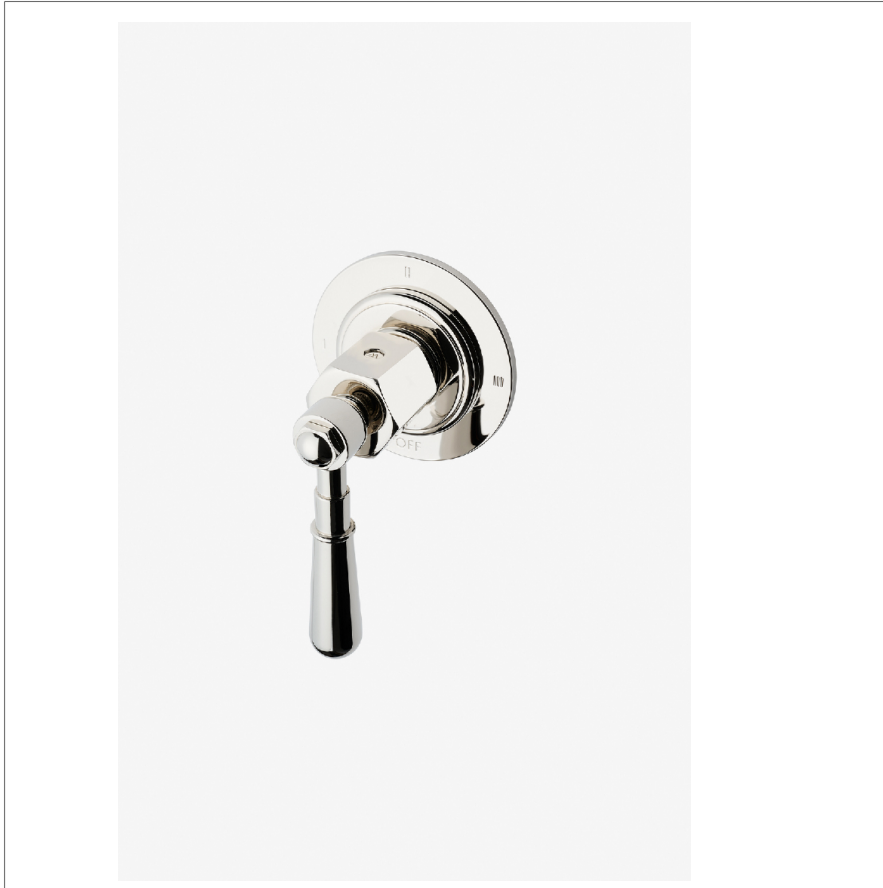


## Regulator

RG3T11

Regulator Three Way Diverter Valve Trim for Thermostatic with Roman Numerals and Level Handle



SHOWN IN REGULATOR THREE WAY DIVERTER VALVE TRIM FOR THERMOSTATIC WITH ROMAN NUMERALS AND LEVEL HANDLE | RG3T11

### TECHNICAL DETAILS

ADA Compliance: Yes  
 Depth/Width: 89 mm  
 Escutcheon Primary Material: Brass  
 Fittings Hole Diameter: 64 mm  
 Height: 165 mm  
 Length: 95 mm  
 Primary Material: Brass  
 Suggested Application: Bath  
 Water Pressure Maximum: 6.0 bar  
 Water Pressure Minimum: 1.5 bar  
 Water Pressure Recommended: 3.0 bar

### INSPIRATION

With striking scale and unique design, Regulator commands attention through its tribute to early 20th-century boiler room controls, when pride was lavished on hard-built parts. Each handcrafted fitting brings dramatic beauty through powerful proportions and honest details.

### CODES & STANDARDS

ASME A112.18.1/CSA B125.1, State of MA

### PRODUCT FEATURES

- Lever Handle
- For Use With a Thermostatic Shower System and Three Waterway Outlets
- Features Roman Numerals Representing Outlet Position
- Stocked in Nickel and Brass
- Requires valve rough sold separately

### CERTIFICATIONS

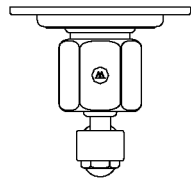


### PRODUCT (NOTES)

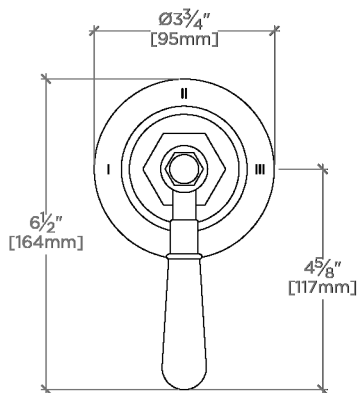
## Regulator

RG3T11

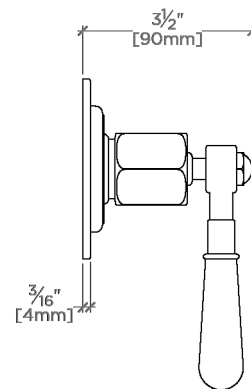
Regulator Three Way Diverter Valve Trim for Thermostatic  
with Roman Numerals and Level Handle



TOP VIEW SCALE: 3"=1'-0"



FRONT VIEW SCALE: 3"=1'-0"



SIDE VIEW SCALE: 3"=1'-0"