

Henry Chronos

CTH101

Henry Chronos Thermostatic Control Valve Trim with Cross Handle



SHOWN IN HENRY CHRONOS THERMOSTATIC CONTROL VALVE TRIM WITH CROSS HANDLE | CTH101

TECHNICAL DETAILS

ADA Compliance: Yes
 Integrated Diverter: N
 Number Of Holes: One Hole
 Primary Material: Brass

INSPIRATION

Inspired by dive watches, Henry Chronos radiates design prowess and technical precision. Chronos retains the design integrity of our original, iconic Henry collection, while imbuing it with modern details and exquisite materials.

CODES & STANDARDS

ASME A112.18.1/CSA B125.1, State of MA

PRODUCT FEATURES

- Features All Metal Cross Handle
- Allows Bather to Adjust Temperature of All Waterway Outlets
- Features Anti-Scald Protection Through an Integrated High Limit Safety Stop
- Stocked in Brass, Chrome and Nickel
- Requires Rough Valve, Sold Separately: GUTH60 (1/2") or GUTH37 (3/4")

CERTIFICATIONS

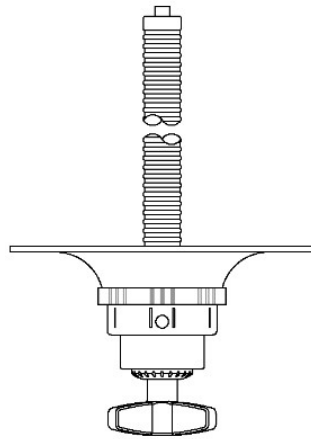


PRODUCT (NOTES)

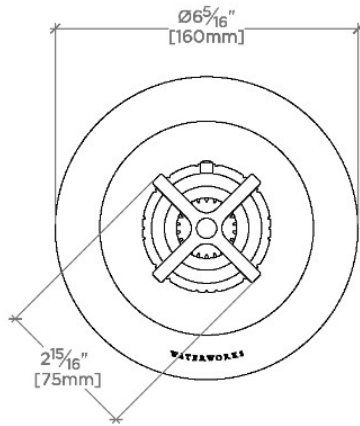
Henry Chronos

CTH101

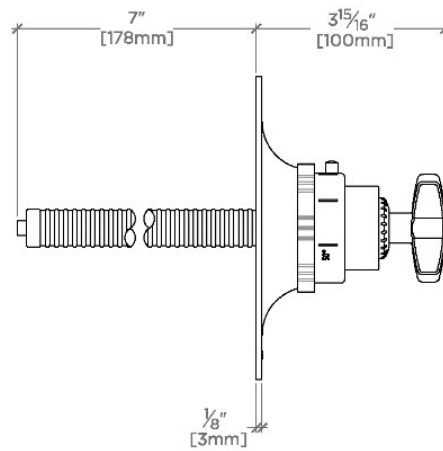
Henry Chronos Thermostatic Control Valve Trim with Cross Handle



TOP VIEW SCALE: 3"=1'-0"



FRONT VIEW SCALE: 3"=1'-0"



SIDE VIEW SCALE: 3"=1'-0"