

VOLTAIRE

VOBT01

Voltaire 67" x 31" x 24" Freestanding Oval Cast Iron Bathtub



SHOWN IN VOLTAIRE 67" X 31" X 24" FREESTANDING OVAL CAST IRON BATHTUB | VOBT01

TECHNICAL DETAILS

Adjustable Levelers Feet: N
 Bathing Type: Bathing and Soaking
 Bathing Well Sitting Angle: 108 degree_angle
 Depth To Overflow: 16 1/2"
 Depth/Width: 31"
 Drain Hole Depth: 1"
 Drain Hole Diameter: 2 1/2"
 Drilling Option: None
 Height: 24"
 Installation Type: Freestanding
 Item Weight Filled: 1095.0 pounds
 Length: 67"
 Material Wall Thickness: 5/16"
 Overflow Hole Diameter: 1 7/8"
 Overflow Opening: Yes
 Primary Material: Cast Iron
 Single Or Double Ended: Double Ended
 Suggested Application: Bath
 Waste And Overflow Outlet Spread: 13 5/8"

INSPIRATION

From its smooth, shaped rim to its riveted base, this industrial tub design incorporates historic detailing and modern comfort. The vintage tone is created through a burnished cast iron exterior that offers a rich patina and a wider, welcoming white enamel interior.

CODES & STANDARDS

PRODUCT FEATURES

- The riveted base detail of Voltaire lends itself to an early industrial influence.
- Double ended and wider for added comfort and easy installation.
- Available with optional slip resistant bottom, a built in safety feature.
- The exterior of primed bathtubs must be finished with a high quality paint before installation.
- Due to the manual finishing process, burnished bathtubs will show variation in the amount of exterior finish distress.

CERTIFICATIONS

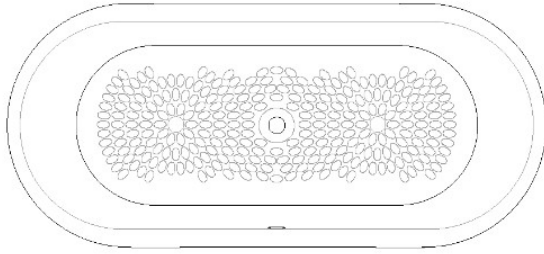
Dimensions of fixtures are nominal. Measure your actual **PRODUCT NOTES** installation of this product in a wet environment such as outdoors, steam rooms, or within showering stalls voids all Warranty.

WATERWORKS

VOLTAIRE

VOBT01

Voltaire 67" x 31" x 24" Freestanding Oval Cast Iron Bathtub



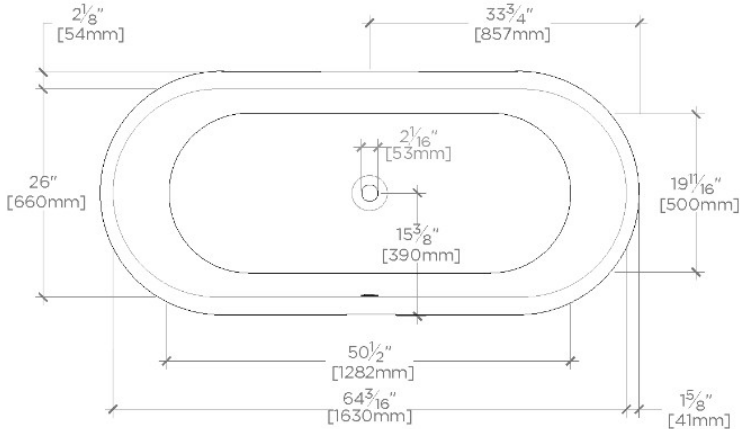
OPTIONAL SLIP RESISTANT

SCALE: 1/2"=1'-0"

RECOMMENDED WASTE & OVERFLOW STYLE #:

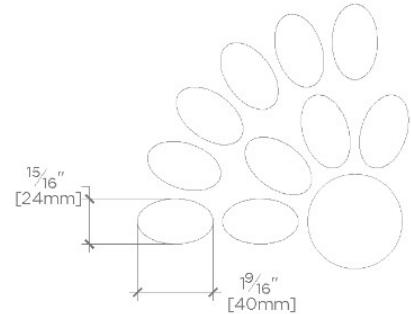
UNWO10 - Waste and Overflow

Dimensional Tolerance	
> 7 ¹ / ₈ " [200mm]	± 0.8%
< 7 ¹ / ₈ " [200mm]	± 1.8%



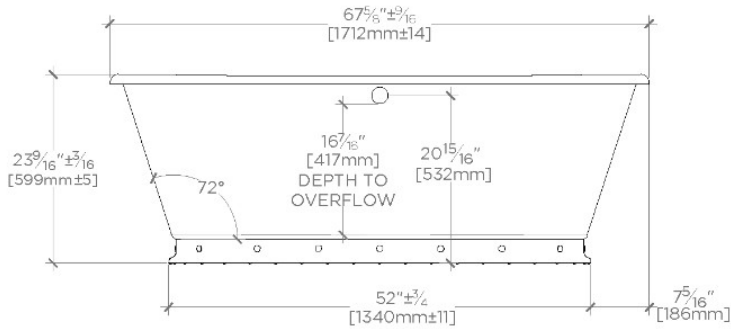
TOP VIEW

SCALE: 1/2"=1'-0"



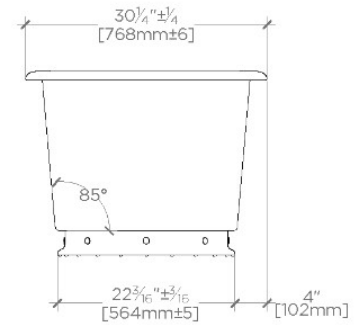
SLIP RESISTANCE PATTERN

SCALE: 3"=1'-0"



SIDE VIEW

SCALE: 1/2"=1'-0"



END VIEW

SCALE: 1/2"=1'-0"