

.25

PTS266

.25 6" Showerhead with 10" Wall Mounted 45 Degree Shower Arm



SHOWN IN .25 6" SHOWERHEAD WITH 10" WALL MOUNTED 45 DEGREE SHOWER ARM | PTS266

## TECHNICAL DETAILS

Adjustable Versus Fixed Spray: Fixed  
 Fittings Hole Diameter: 32 mm  
 Flow Restriction Options: 1.5, 1.75, 2.0  
 Inlet Connection Size: 1/2"  
 Inlet Connection Type: Male NPT  
 Pivot: Y  
 Primary Material: Brass  
 Restricted Maximum Flow Rate: 6.6 liters/min  
 Water Pressure Maximum: 6.0 bar  
 Water Pressure Minimum: 1.5 bar  
 Water Pressure Recommended: 3.0 bar

## INSPIRATION

.25 is the ultimate in utilitarian elegance: A simple and understated design that is equally functional and beautiful.

## CODES & STANDARDS

PTS266X, ASME A112.18.1/CSA B125.1, CEC(1.5GPM & 1.75GPM Only), WaterSense(1.5GPM, 1.75GPM & 2.0GPM Only), DOE, State of MA

## PRODUCT FEATURES

Made of Brass

Features a swivel 6" showerhead with easy clean rubber nozzles

Includes a 10" wall mounted 45 degree shower arm

Stocked in Brass, Chrome, Nickel and Matte Nickel

Showerhead available in 1.75gpm (6.6L/min) flow rate

## CERTIFICATIONS



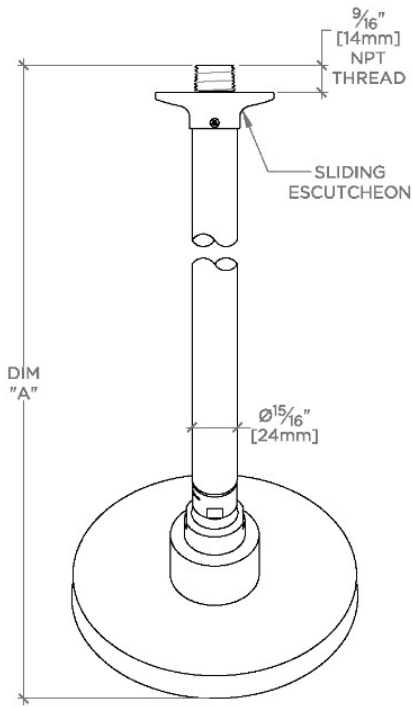
## PRODUCT (NOTES)

# WATERWORKS

.25

PTS266

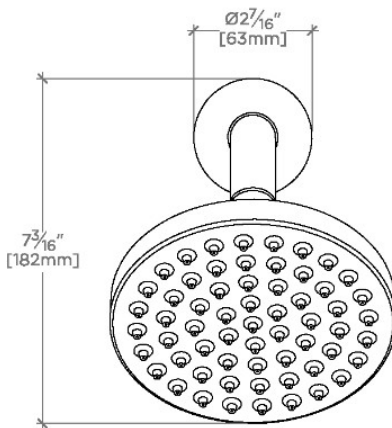
.25 6" Showerhead with 10" Wall Mounted 45 Degree Shower Arm



TOP VIEW

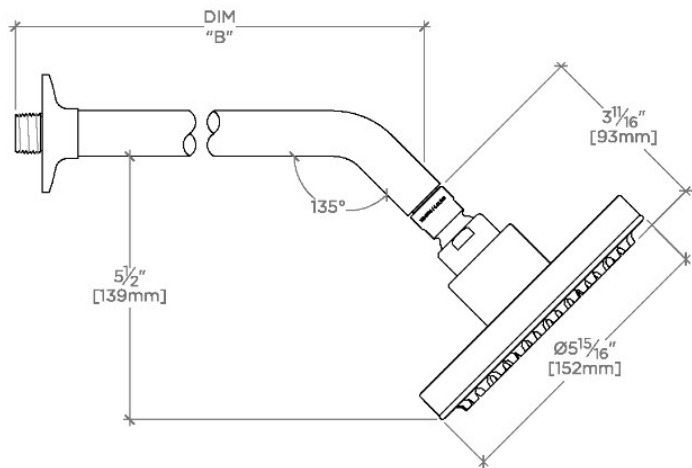
SCALE: 3"=1'-0"

STYLE NO.	DIM "A"	DIM "B"
LVS265	12 <sup>13</sup> / <sub>16</sub> " [325mm]	8 <sup>1</sup> / <sub>4</sub> " [209mm]
PTS265		
LVS266	14 <sup>13</sup> / <sub>16</sub> " [376mm]	10 <sup>1</sup> / <sub>4</sub> " [260mm]
PTS266		



FRONT VIEW

SCALE: 3"=1'-0"



SIDE VIEW

SCALE: 3"=1'-0"