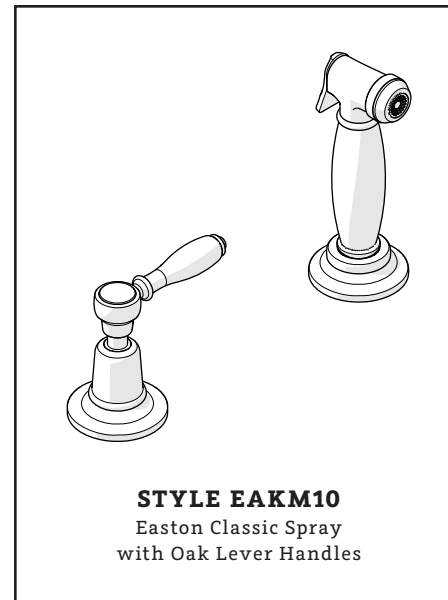
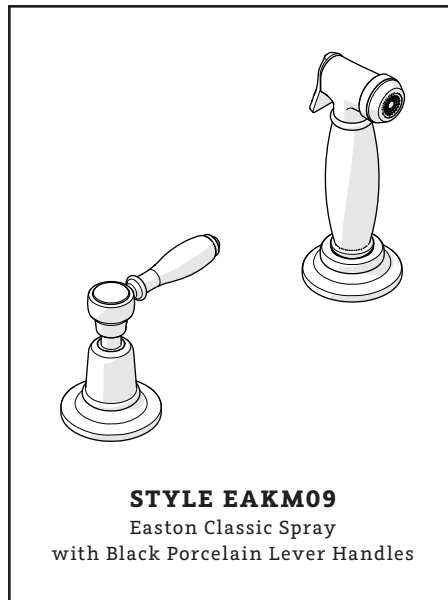
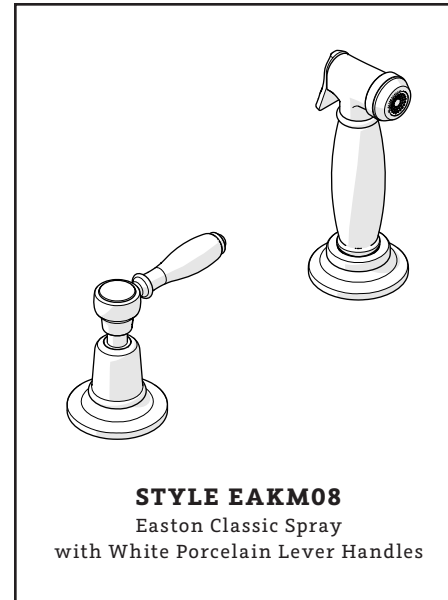




ESTB. 1978

WATERWORKS

SERVICE PARTS



WELCOME TO

WATERWORKS

For over three decades, Waterworks has transformed the bath through an absolute commitment to design authenticity, innovation and quality. A blend of scholarly appreciation and applied experience guarantees mechanical integrity, meticulous craftsmanship, and timeless designs.

**TO ORDER PARTS CALL
1 (800) 927-2120 (EXT 2)**

Order by part number and specify color, finish, or other options if required.

PRODUCT SUPPORT

Our Product Support team provides troubleshooting and technical problem resolution, including replacement parts and installation recommendations throughout the life of your product.

Product Support is available Monday through Friday, 8AM-6PM EST.

**LIMITED LIFETIME
WARRANTY**

Our warranty covers repair and replacement of Waterworks products if within the applicable coverage period and deemed defective by Waterworks. Waterworks will, at its option, repair or replace such products; this does not include installation costs, labor charges, or other incidental or consequential costs.

To obtain your complete warranty or inquire about warranty service, please visit us at www.waterworks.com or contact our Product Support Team.



ESTB. 1978

WATERWORKS

MAIN KITS

STYLES: EAKM07, EAKM08,
EAKM09, EAKM10

103549
BLANK PORCELAIN INDICE

103534*
METAL LEVER HANDLE

103550*
BLANK METAL INDICE

103537*
WHITE PORCELAIN
LEVER HANDLE

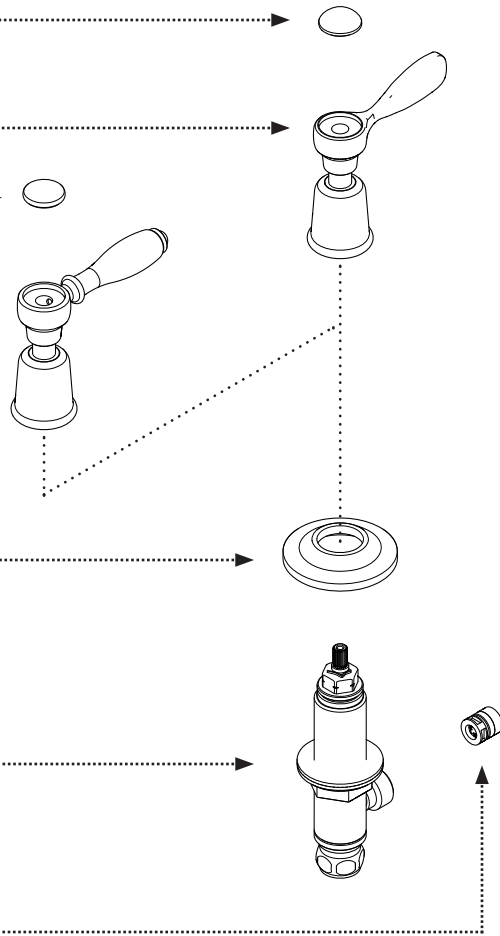
103538*
BLACK PORCELAIN
LEVER HANDLE

103539*
OAK LEVER HANDLE

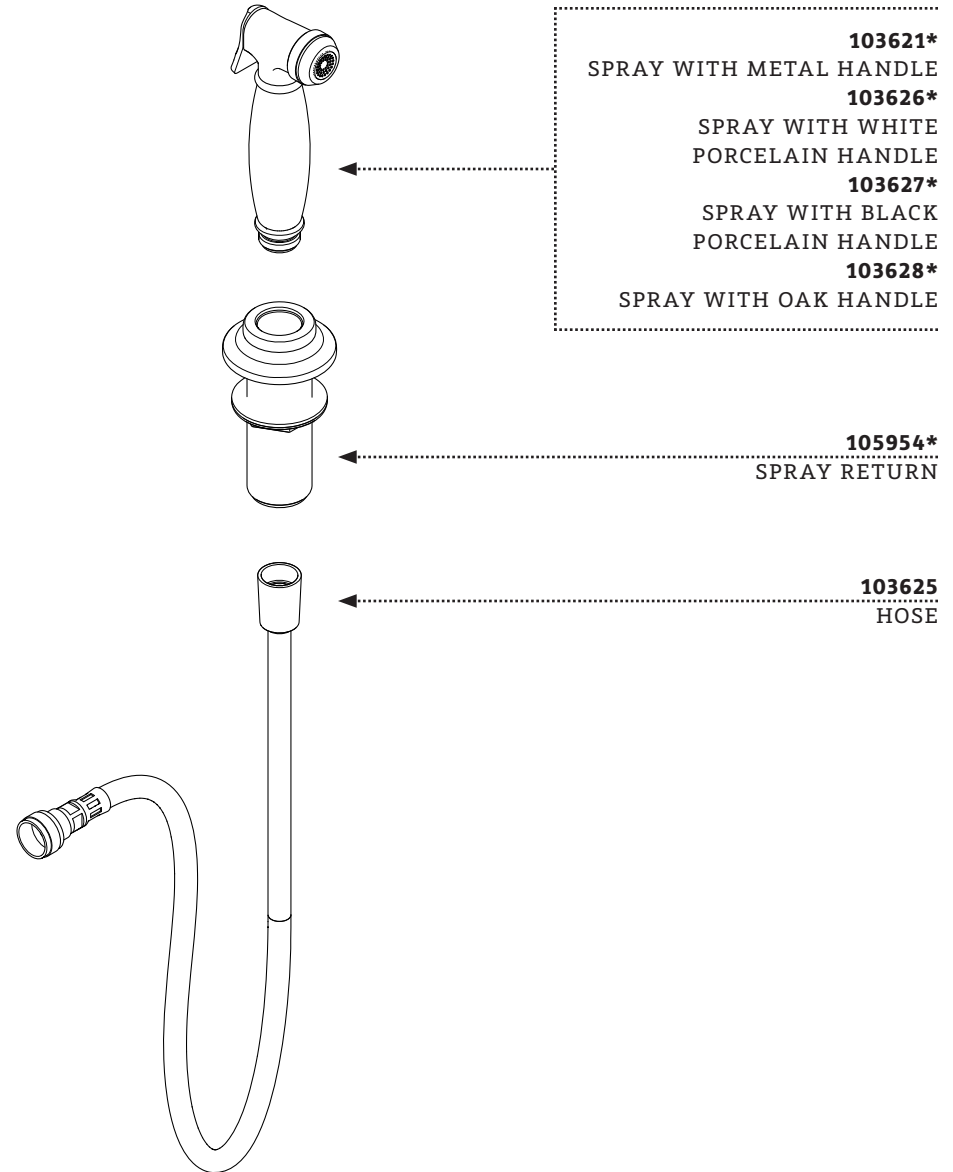
103570*
ESCUTCHEON

103504
CLOCKWISE ON SIDEBODY

103623
CHECK VALVE



*FINISH/COLOR MUST BE SPECIFIED WHEN ORDERING
++SUPPLIED AS A PAIR





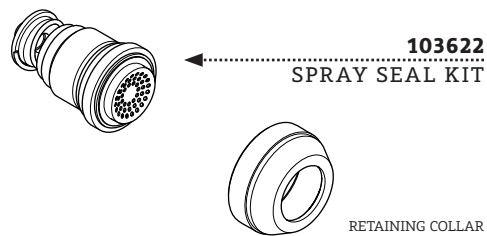
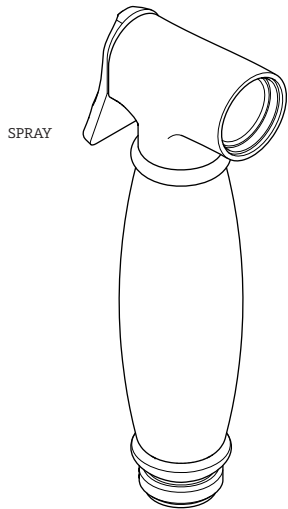
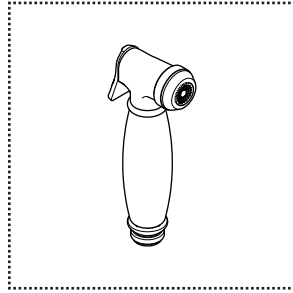
ESTB. 1978

WATERWORKS

KIT COMPONENTS

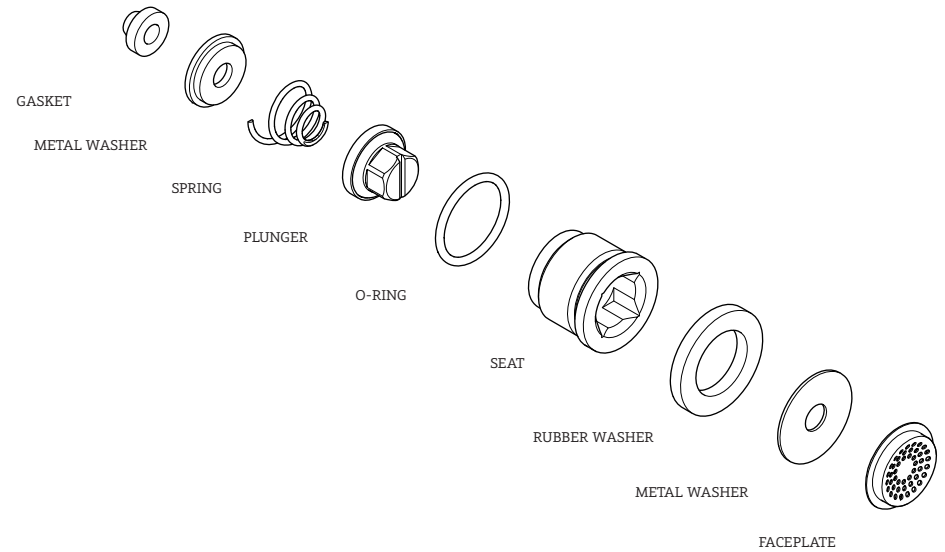
- 103621***
SPRAY WITH METAL HANDLE
- 103626***
SPRAY WITH WHITE PORCELAIN HANDLE
- 103627***
SPRAY WITH BLACK PORCELAIN HANDLE
- 103628***
SPRAY WITH OAK HANDLE

STYLES: EAKM07, EAKM08, EAKM09, EAKM10



*FINISH/COLOR MUST BE SPECIFIED WHEN ORDERING
++SUPPLIED AS A PAIR

KIT COMPONENTS



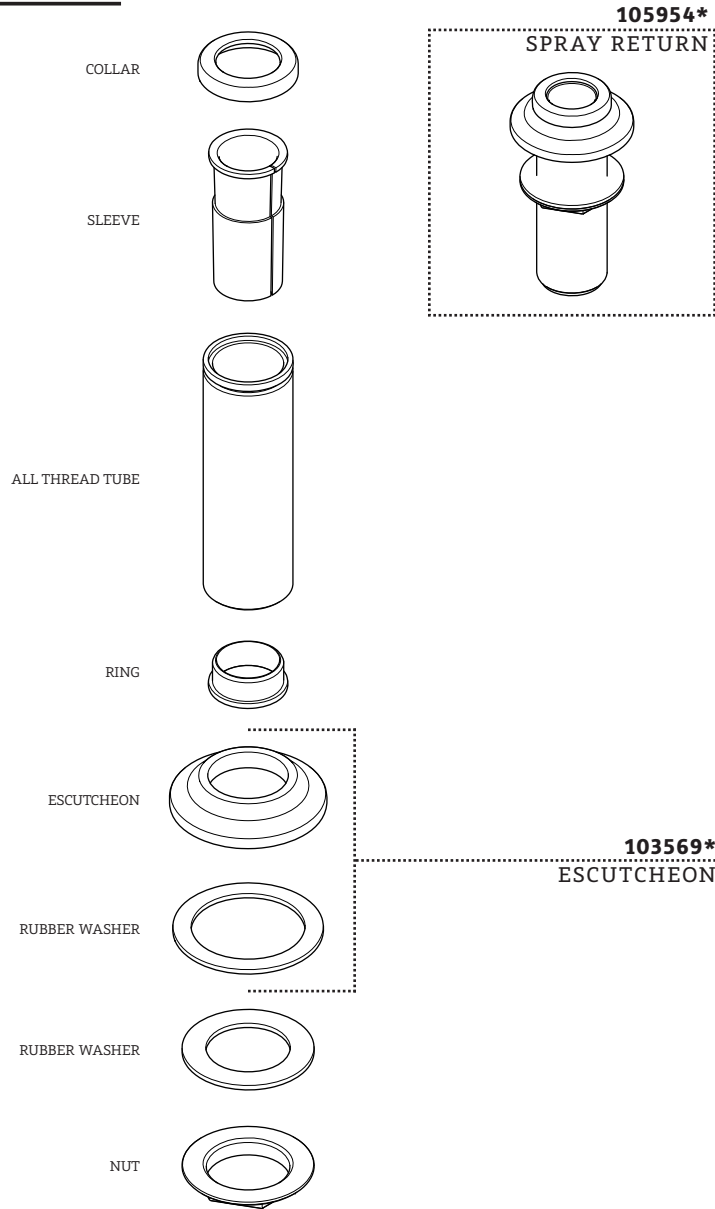


ESTB. 1978

WATERWORKS

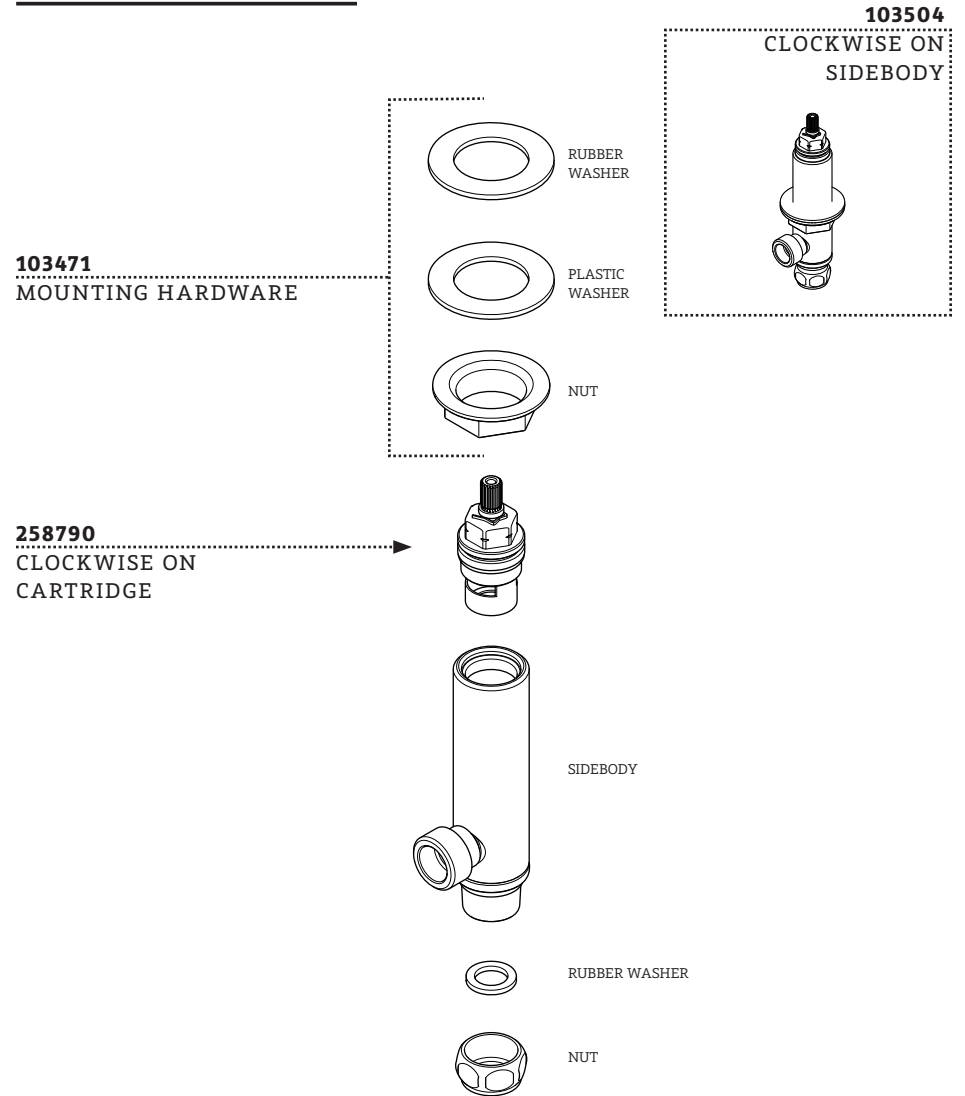
KIT COMPONENTS

**STYLES: EAKM07, EAKM08,
EAKM09, EAKM10**



*FINISH/COLOR MUST BE SPECIFIED WHEN ORDERING
++SUPPLIED AS A PAIR

KIT COMPONENTS



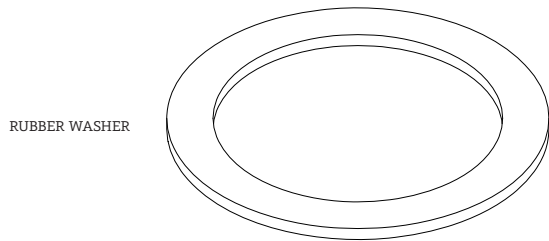
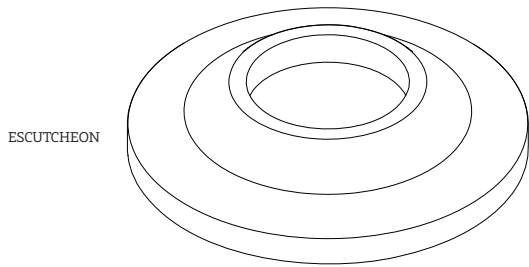
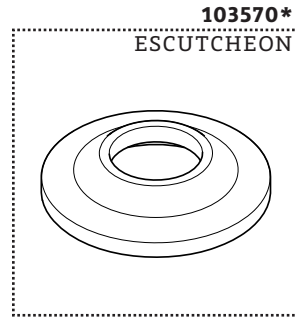


ESTB. 1978

WATERWORKS

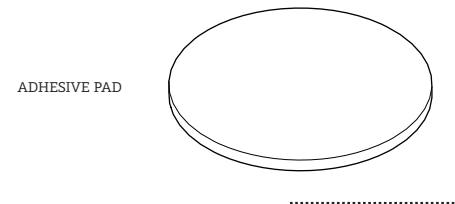
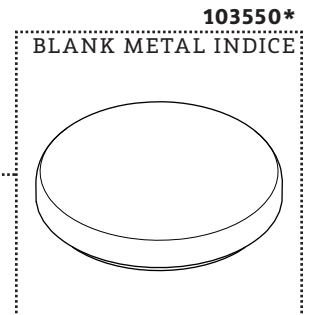
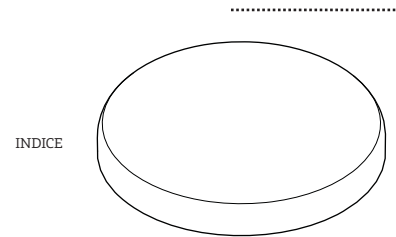
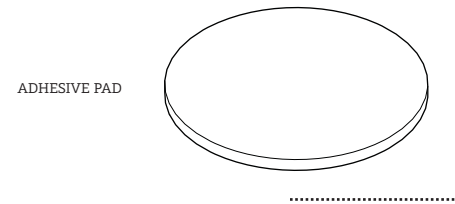
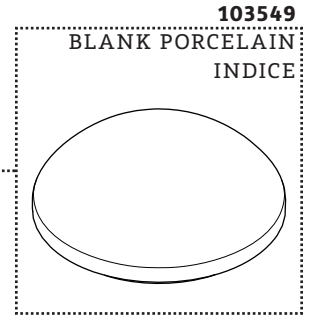
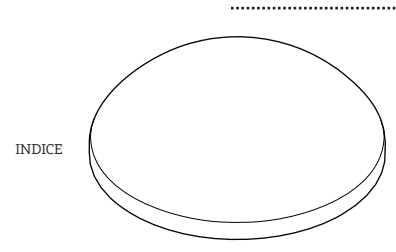
KIT COMPONENTS

**STYLES: EAKM07, EAKM08,
EAKM09, EAKM10**



*FINISH/COLOR MUST BE SPECIFIED WHEN ORDERING
++SUPPLIED AS A PAIR

KIT COMPONENTS





ESTB. 1978

WATERWORKS

**STYLES: EAKM07, EAKM08,
EAKM09, EAKM10**

*FINISH/COLOR MUST BE SPECIFIED WHEN ORDERING
++SUPPLIED AS A PAIR

SERVICE PARTS INDEX

NOTES

<u>STYLE</u>	<u>DESCRIPTION</u>	<u>PG</u>
103538*	BLACK PORCELAIN LEVER HANDLE	2
103550*	BLANK METAL INDICE	9
103549	BLANK PORCELAIN INDICE	9
103623	CHECK VALVE	2
258790	CLOCKWISE ON CARTRIDGE	7
103504	CLOCKWISE ON SIDEBODY	7
103570*	ESCUTCHEON	8
103569*	ESCUTCHEON	6
103625	HOSE	3
103534*	METAL LEVER HANDLE	2
103471	MOUNTING HARDWARE	7
103539*	OAK LEVER HANDLE	2
103622	SPRAY SEAL KIT	5
105954*	SPRAY RETURN	6
103627*	SPRAY WITH BLACK PORCELAIN HANDLE	4
103621*	SPRAY WITH METAL HANDLE	4
103628*	SPRAY WITH OAK HANDLE	4
103626*	SPRAY WITH WHITE PORCELAIN HANDLE	4
103537*	WHITE PORCELAIN LEVER HANDLE	2

DOCUMENT: SPEA05_REV01



ESTB. 1978

WATERWORKS

NOTES

**STYLES: EAKM07, EAKM08,
EAKM09, EAKM10**

*FINISH/COLOR MUST BE SPECIFIED WHEN ORDERING
++SUPPLIED AS A PAIR

NOTES



ESTB. 1978

WATERWORKS

PRODUCT SUPPORT

60 BACKUS AVENUE

DANBURY, CT 06810

1 (800) 927-2120 (EXT 2)

WWW.WATERWORKS.COM