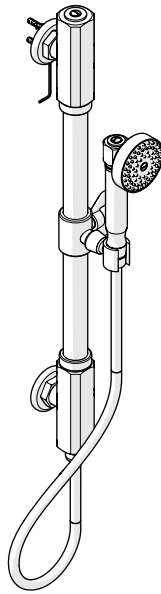


STYLE No. RWHS10



### SPECIFICATIONS:

Connection Type: 3/4" Copper Compression  
Recommended Pressure: 45 psi

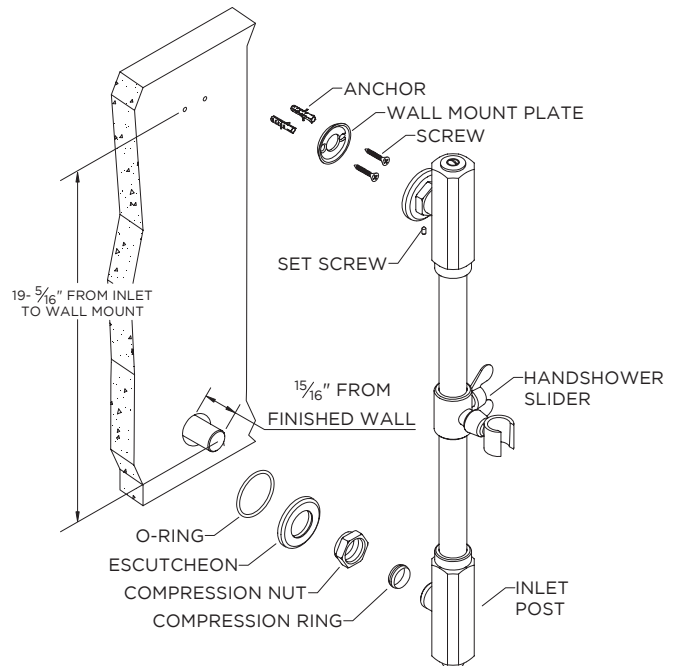
### IMPORTANT:

- To ensure this product is installed properly, you must read and follow these guidelines.
- The owner/user of this product must keep this information for future reference.
- Be sure your installation conforms to federal, state, and local codes. Anti-scald protection is the responsibility of the installer and according to applicable codes. In the State of Massachusetts, all installations must comply with the rules and regulations set forth within 248 CMR.
- **A diverter or wall valve (sold separately) control on/off/volume and must be installed for each fitting that will have water flowing to it.**
- This product must be installed by a professional licensed contractor and must be onsite prior to rough-in, this allows the installer to visualize the installation.
- Proper blocking in the wall is required.
- Inspect this product to ensure you have all the parts required for proper installation.
- Use only a strap wrench or protected/smooth-jaw wrench on any finished surface.
- **DO NOT** use putty on fittings.

### ROUGH IN:

- See Figure - 01 for Steps 1-4.
1. Run a well supported 3/4" copper SUPPLY LINE from the wall valve/diverter (**sold separately**) for **maximum** flow.
  2. Determine the ideal location of the handshower on bar, based on user preferences. Install blocking to properly secure unit. The distance from inlet to wall support is 19-5/16".
  3. Verify the supply is secure and level. Cap off the supply and check for **leaks**.
  4. Cut the copper line so it extend 15/16" from the finished wall.

FIGURE - 01



### HANDSHOWER ON BAR INSTALLATION:

- See Figure - 01 for Steps 5-13.
5. Unthread and remove the compression nut and compression ring, along with escutcheon and o-ring from the inlet post.
  6. Slide the o-ring, escutcheon, compression nut and compression ring over the inlet pipe, making sure the threading on the compression nut is facing outwards.
  7. Position the handshower on bar assembly onto the supply pipe until it is fully seated into the inlet post and then hand tighten the compression nut. Slide the escutcheon back towards the wall; and if the gap is too large, as to where the escutcheon slides off the compression nut, cut the supply pipe accordingly.
  8. With the handshower on bar level and up against the wall, mark the upper wall mounting location.
  9. Loosen the compression nut and remove the handshower on bar assembly.

These guidelines have been prepared for the professional contractor to aid in the installation of: RW ATLAS HANDSHOWER ON BAR (STYLE No. RWHS10) All dimensions are based on original specification and are subject to change and variation. Please consult your Design Associate for current specifications. SEE SERVICE PART DOCUMENT FOR PART ORDERING, AVAILABLE ON WATERWORKS.COM

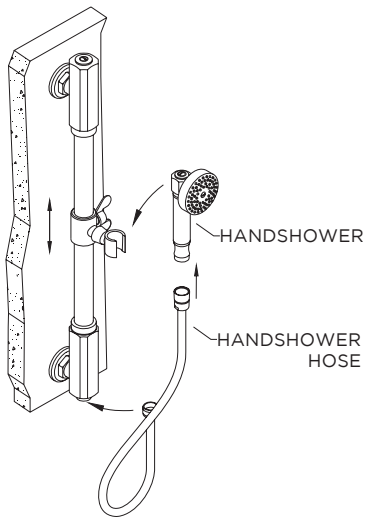
# WATERWORKS

10. Drill the wall for the 2 wall anchors provided and install them (if necessary). Install the wall mount plate.
11. Position the handshower on bar assembly back onto inlet pipe and over the wall mount plate. Using a wrench, tighten the compression nut fully. Use the set screw to tighten the upper escutcheon to the wall mount plate.
12. Unthread the handle assembly from the limit stop assembly and loosen the 4 set screws on the limit stop.
13. Insert the limit stop assembly onto the trim nut making sure the limit stop pin (shown removed) makes contact with the limit stop on the trim plate, then tighten the 4 set screws.

**HANDSHOWER INSTALLATION:**

- See Figure - 02 for Steps 14 & 15.
14. Connect the knurled end of the handshower hose to the bottom of the inlet post. Connect the conical end of the handshower hose to the bottom of the handshower.
  15. Place handshower into the clip on the slider.
- Note:** The handshower slider is adjusted by loosening the wing-nut on the slider and then retightening at the desired height.

FIGURE - 02



**INSPECT THE INSTALLATION:**

16. Remove the handshower from the hose. Turn on the wall valve/diverter (**sold separately**) to flush out any debris in the SUPPLY LINE.
  17. Inspect all connections for **leaks**.
  18. Turn off supply and re-attach the handshower to the hose.
- **If further assistance is required, please contact Product Support at 1-800-927-2120 (8am-6pm EST).**
  - **See service part document for parts ordering, available on WATERWORKS.COM.**

These guidelines have been prepared for the professional contractor to aid in the installation of: RW ATLAS HANDSHOWER ON BAR (STYLE No. RWHS10) All dimensions are based on original specification and are subject to change and variation. Please consult your Design Associate for current specifications. SEE SERVICE PART DOCUMENT FOR PART ORDERING, AVAILABLE ON WATERWORKS.COM