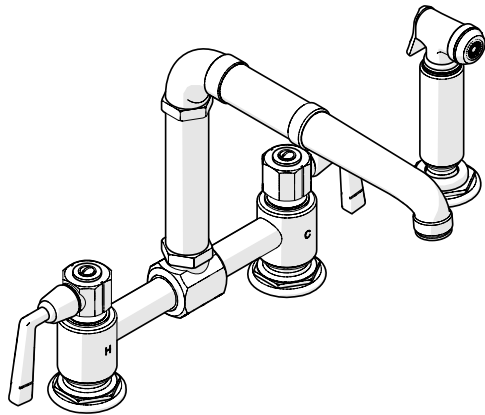


Side Mounted Metal Lever Handles  
Style No. RWKM10

**SPECIFICATIONS:**

Fitting Hole Diameter: 1-3/8"  
Handle Spread: 8" [NOT ADJUSTABLE]  
Inlet Connection Size: 3/8"  
Inlet Connection Type: Female Straight  
Maximum Deck Thickness: 1-1/2"  
Minimum Deck Thickness: 1/4"  
Recommended Water Pressure: 45psi  
Spout Reach: 10"  
Spout Swivel: Yes

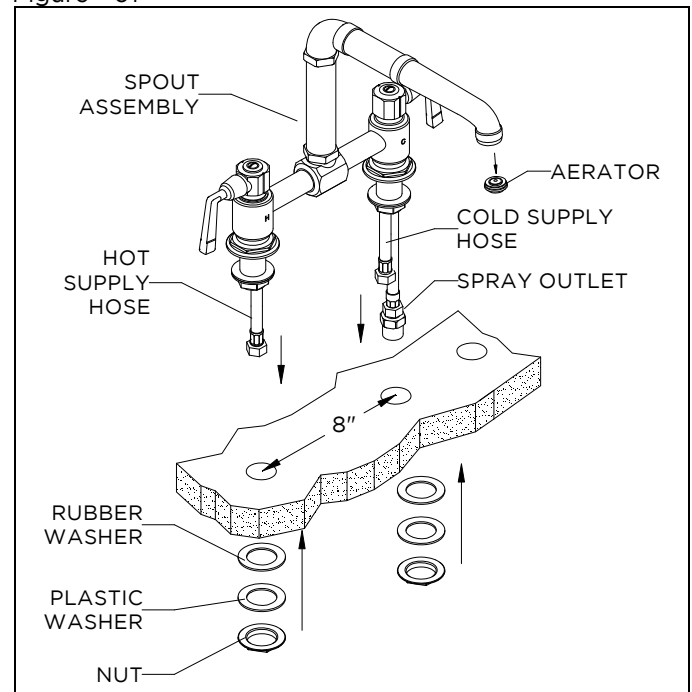
**IMPORTANT:**

- **NOTE: The screws on the top of the handles are aesthetic and do not serve any mechanical purpose and should not be removed.**
- To ensure this product is installed properly, you must read and follow these guidelines.
- The owner/user of this product must keep this information for future reference.
- Be sure your installation conforms to federal state, and local codes. In the State of Massachusetts, all installations must comply with the rules and regulations set forth within 248 CMR.
- This product must be installed by a professional licensed contractor.
- Product should be on-site prior to rough-in. This allows the installer to visualize the installation and verify the center spread.
- Inspect this product to ensure you have all the parts required for proper installation.
- Use only a strap wrench or protected/smooth-jaw wrench on any finished surface.
- DO NOT use putty on deck fittings. Upper and lower washers are provided.

**SPOUT INSTALLATION:**

- See Figure 1. for Steps 1-3.
1. Remove the rubber washer, plastic washer & nut from both of the spout assembly's threaded shanks. Note: The inlet tube may need to be unthreaded and removed in order to remove nut.
  2. Place the spout assembly through both holes in the deck, along with the supply hoses and spray outlet hose.
  3. Re-install rubber washer, plastic washer and nut from under the deck. Tighten the nut up against the bottom of the mounting surface to secure the spout assembly.

Figure - 01

**SIDE SPRAY INSTALLATION:**

- See Figure 2. for Steps 4-10.
4. Remove the nut and rubber washer from the bottom of the threaded tube. Unthread the retaining collar from the top of the threaded tube and remove the plastic sleeve.
  5. Loosen the hex collar and insert the threaded tube along with the escutcheon and hex collar into the hole in the deck, making sure the o-ring is between the escutcheon and the deck.
  6. Re-attach the rubber washer and nut to the threaded tube from under the deck.

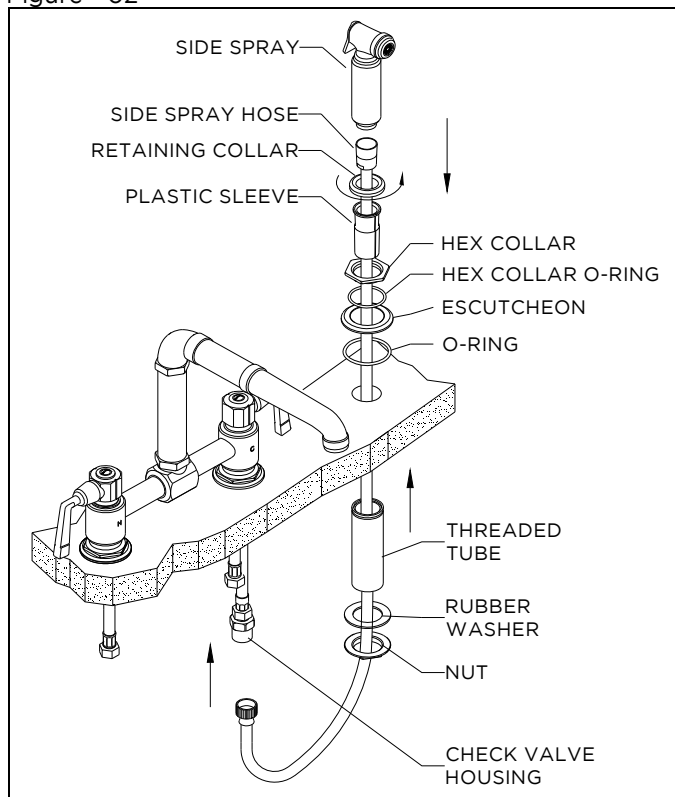
These guidelines have been prepared for the professional contractor to aid in the installation of:  
**RW ATLAS TWO HOLE KITCHEN MIXER WITH SIDE MOUNT LEVER HANDLES AND SPRAY**  
(STYLE # RWKM10).

All dimensions are based on original specification and are subject to change and variation.  
Please consult your Design Associate for current specifications.  
**SEE SERVICE PART DOCUMENT FOR PART ORDERING, AVAILABLE ON WATERWORKS.COM**

WATERWORKS

7. Slide the retaining collar over the conical end of the handshower hose and insert the hose into the plastic sleeve. Pass the knurled end of the hose through the threaded tube until the plastic sleeve is fully seated inside the threaded tube. Thread the retaining collar back onto the threaded tube.
8. Thread the hex collar up until it touches the retaining collar, then fully tighten the nut to secure the assembly to the deck.
9. Connect the conical end of the hose to the side spray.
10. Connect the knurled end of the handshower hose to the male end of the check valve housing.

Figure - 02

**INSPECT THE INSTALLATION:**

11. Connect the hot and cold inlet hoses to supply valves (Sold Separately).
  12. Remove the flow restricting aerator using a flat head screwdriver or a coin, then carefully open the hot and cold valves to flush out any debris in the supply lines. (See Figure - 01).
  13. Inspect all connections for leaks.
  14. Re-install the flow restricting aerator making sure the washer is in place.
  15. Make sure the hoses are tight and are not pinched/kinked.
- The hex collars on the bottoms of the handle assembly, and the bottom of the side spray deck return can be rotated after installation to orientate the hexes so they are straight.
  - **NOTE: The screws on the top of the handles are aesthetic and do not serve any mechanical purpose and should not be removed.**
  - \* Putty contains oils and can cause permanent discoloration on certain materials such as marble, granite and any porous surface.
  - **If further assistance is required, please contact Product Support at 1-800-927-2120 (8am-6pm EST).**
  - **See service part document for parts ordering, available on WATERWORKS.COM.**

These guidelines have been prepared for the professional contractor to aid in the installation of:  
**RW ATLAS TWO HOLE KITCHEN MIXER WITH SIDE MOUNT LEVER HANDLES AND SPRAY**  
 (STYLE # RWKM10).

All dimensions are based on original specification and are subject to change and variation.  
 Please consult your Design Associate for current specifications.  
**SEE SERVICE PART DOCUMENT FOR PART ORDERING, AVAILABLE ON WATERWORKS.COM**

**WATERWORKS**