

Universal

UMWL22

Universal Modern 22" Wall Mounted 90 Degree Shower Arm with Flange



SHOWN IN UNIVERSAL MODERN 22" WALL MOUNTED 90 DEGREE SHOWER ARM WITH FLANGE | UMWL22

TECHNICAL DETAILS

Fittings Hole Diameter: 32 mm
Inlet Connection Size: 1/2"
Inlet Connection Type: Male NPT
Outlet Connection Size: 1/2"
Outlet Connection Type: Male NPT
Water Pressure Recommended: 3.0 bar

INSPIRATION

Featuring enduring designs that complement any Waterworks element, this collection spans fittings to accessories, bringing exquisite proportion and balance to any environment.

CODES & STANDARDS

PRODUCT FEATURES

Compatible with an assortment of Waterworks showerheads, sold separately

Brass Construction

Includes 22" wall mounted 90 degree shower arm

Stocked in Chrome, Nickel and Brass

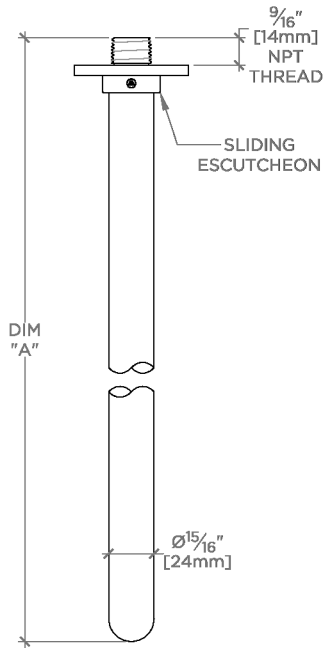
CERTIFICATIONS

PRODUCT (NOTES)

Universal

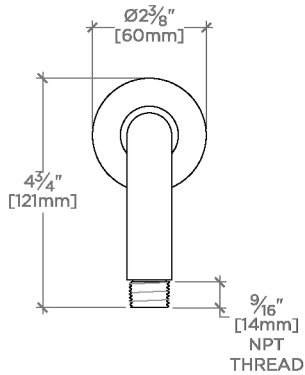
UMWL22

Universal Modern 22" Wall Mounted 90 Degree Shower Arm with Flange

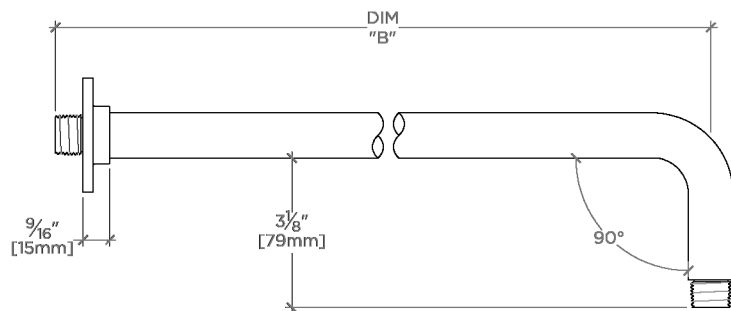


TOP VIEW SCALE: 3"=1'-0"

STYLE NO.	DIM "A"	DIM "B"
UMWL12	13 1/16" [331mm]	12 1/2" [319mm]
UMWL18	19 1/16" [484mm]	18 1/2" [472mm]
UMWL22	23 1/16" [585mm]	22 1/2" [572mm]



FRONT VIEW SCALE: 3"=1'-0"



SIDE VIEW SCALE: 3"=1'-0"