

## PULLMAN

100695

Pullman Single Vanity with Tapered Legs and Hardware 24" x 21" x 33 1/4"



SHOWN IN PULLMAN SINGLE VANITY WITH TAPERED LEGS AND HARDWARE 24" X 21" X 33 1/4" | 100695

### TECHNICAL DETAILS

ADA Compliance: No  
Adjustable Levelers Feet: N  
Bowl Shape: Oval  
Depth To Overflow: 4 1/2"  
Drain Hole Depth: 1 3/4"  
Drain Hole Diameter: 1 3/4"  
Fittings Hole Depth: 1 1/4"  
Fittings Hole Diameter: 1 3/8"  
Overflow Opening: Yes  
Primary Material: Wood  
Sink Visibility: N

### INSPIRATION

A custom, layered look that transcends eras. Our exclusive design references iconic campaign furniture & Regency forms, with hand-applied metalwork & integrated hardware.

### CODES & STANDARDS

### PRODUCT FEATURES

Designed by and exclusive to Waterworks

Vanity with Integrated Hardware; specify Brass or Nickel when ordering

Stocked in Clear Oak, Antique Walnut Finish or Factory Finished in Chalk, Driftwood, Midnight, Steel, Franklin Gray, or Whisper

Available with sink and slab top: use PLVN10

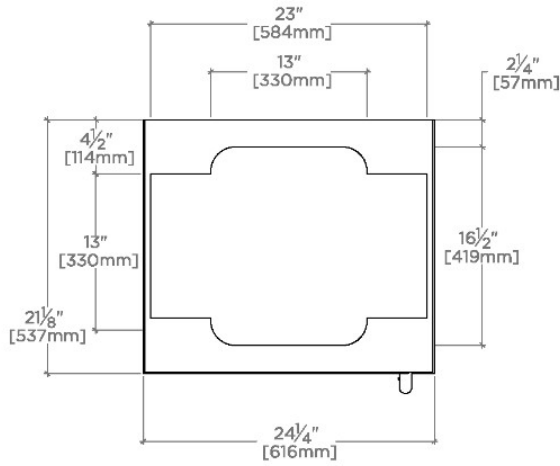
### CERTIFICATIONS

### PRODUCT (NOTES)

## PULLMAN

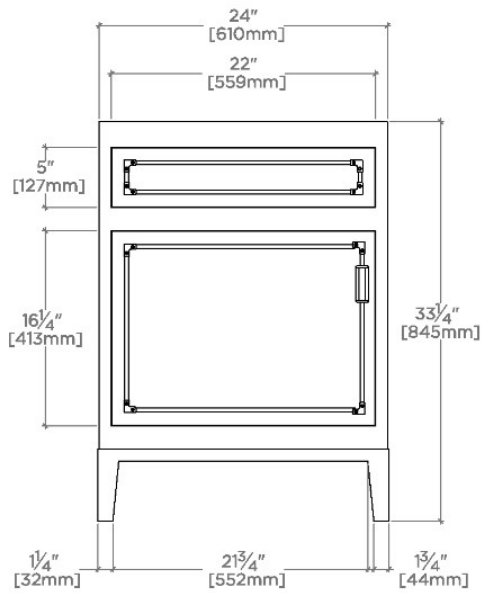
100695

Pullman Single Vanity with Tapered Legs and Hardware 24" x 21" x 33 1/4"



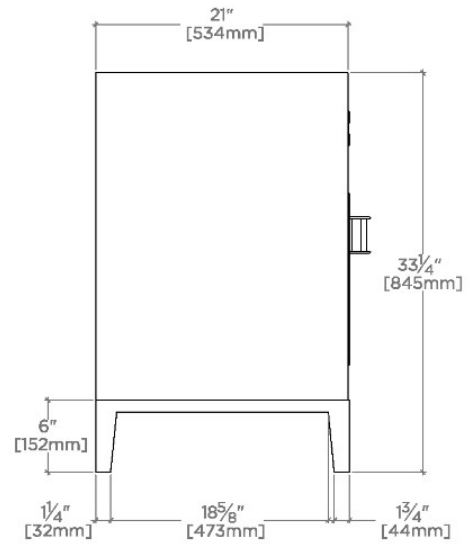
TOP VIEW

SCALE: 3/4"=1'-0"



FRONT VIEW

SCALE: 3/4"=1'-0"



SIDE VIEW

SCALE: 3/4"=1'-0"