

## Clothilde

COBT01

Clothilde 70" x 33" x 29" Freestanding Oval Copper Bathtub



SHOWN IN CLOTHILDE 70" X 33" X 29" FREESTANDING OVAL COPPER BATHTUB | COBT01

### TECHNICAL DETAILS

ADA Compliance: No  
 Adjustable Levelers Feet: N  
 Assembly Configuration: One Piece  
 Bathing Type: Bathing and Soaking  
 Depth To Overflow: 387 mm  
 Depth/Width: 838 mm  
 Drain Hole Depth: 10 mm  
 Drain Hole Diameter: 57 mm  
 Drilling Option: None  
 Height: 737 mm  
 Installation Type: Freestanding  
 Item Weight Filled: 319.78236 kg  
 Length: 1778 mm  
 Material Wall Thickness: 51 mm  
 Number Of Holes: One Hole  
 Overflow Opening: No  
 Primary Material: Copper  
 Single Or Double Ended: Double Ended  
 Suggested Application: Bath

### INSPIRATION

Inspired by high-sloping, 19th-century French bathtubs and rendered on a grand scale, this copper design is lavish yet lends warmth and character to a bath. Handcrafted in Normandy, it elevates both classic and transitional spaces.

### CODES & STANDARDS

### PRODUCT FEATURES

Our tub is completely handmade using the artisan methods and tools as the original 19th century designs.

The Clothilde is lined with tin to protect the purity of the water.

No visible seams or soldering joints.

Double ended bathing vessel

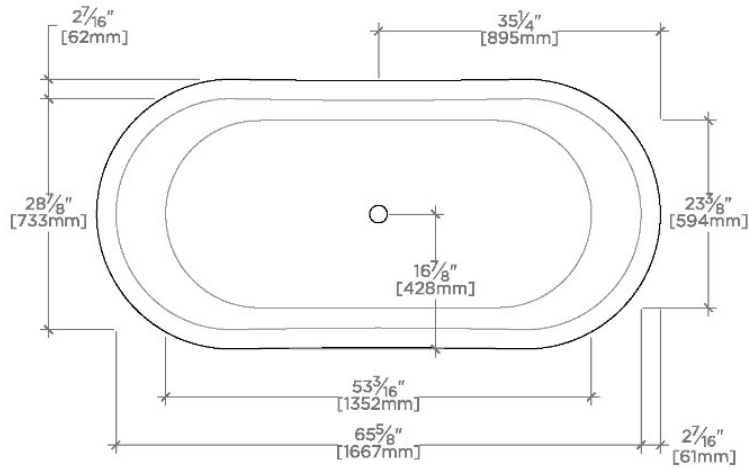
### CERTIFICATIONS

Dimensions of fixtures are nominal. Measure your actual **PRODUCT NOTES** installation of this product in a wet environment such as outdoors, steam rooms, or within showering stalls voids all Warranty.

## Clothilde

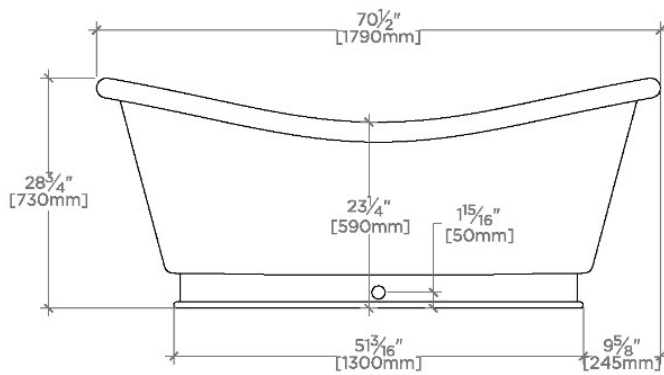
COBT01

Clothilde 70" x 33" x 29" Freestanding Oval Copper Bathtub



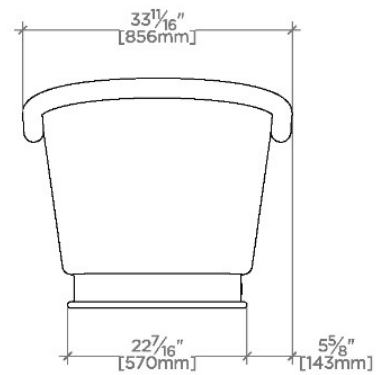
TOP VIEW

SCALE: 1/2"=1'-0"



SIDE VIEW

SCALE: 1/2"=1'-0"



END VIEW

SCALE: 1/2"=1'-0"