

## Highgate

HGS354

Highgate 5" Showerhead with Adjustable Spray with 6" Wall Mounted 45 Degree Shower Arm



SHOWN IN HIGHGATE 5" SHOWERHEAD WITH ADJUSTABLE SPRAY WITH 6" WALL MOUNTED 45 DEGREE SHOWER ARM | HGS354

### TECHNICAL DETAILS

Adjustable Versus Fixed Spray: Adjustable Spray  
Fittings Hole Diameter: 32 mm  
Inlet Connection Size: 1/2"  
Inlet Connection Type: Male NPT  
Pivot: Y  
Primary Material: Brass  
Restricted Maximum Flow Rate: 6.6 liters/min  
Water Pressure Maximum: 6.0 bar  
Water Pressure Minimum: 1.5 bar  
Water Pressure Recommended: 3.0 bar

### INSPIRATION

Our take on old English style: simple, functional shapes, detailed with white porcelain indices and hexagonal accents for a timeless feel.

### CODES & STANDARDS

HGS354X, ASME A112.18.1/CSA B125.1, CEC(1.5GPM & 1.75GPM Only), DOE, State of MA

### PRODUCT FEATURES

Made of Brass

Features a swivel 5" showerhead with three adjustable spray patterns

Includes a 6" wall mounted 45 degree shower arm

Stocked in Brass, Chrome, Nickel and Matte Nickel

Showerhead available in 1.75gpm (6.6L/min) flow rate

### CERTIFICATIONS

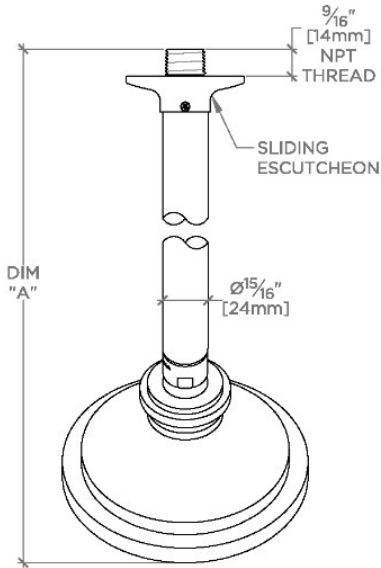


### PRODUCT (NOTES)

## Highgate

## HGS354

Highgate 5" Showerhead with Adjustable Spray with 6" Wall Mounted 45 Degree Shower Arm



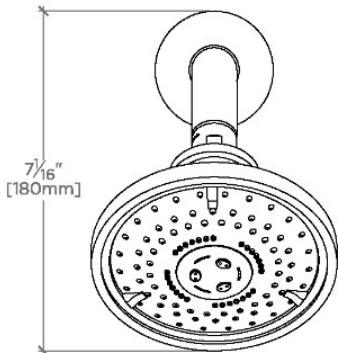
TOP VIEW

SCALE: 3"=1'-0"

STYLE NO.	DIM "A"	DIM "B"
DSS354		
HGS354	10 1/16" [272mm]	6 1/4" [158mm]
RRS354		
DSS355		
HGS355	12 1/16" [323mm]	8 1/4" [209mm]
RRS355		

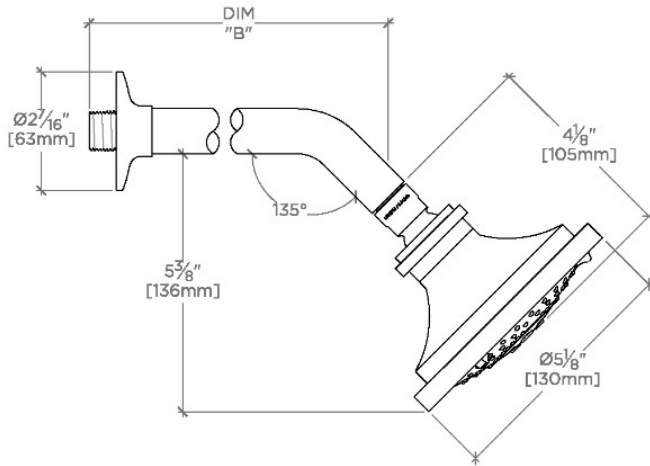


SPRAY PATTERNS



FRONT VIEW

SCALE: 3"=1'-0"



SIDE VIEW

SCALE: 3"=1'-0"