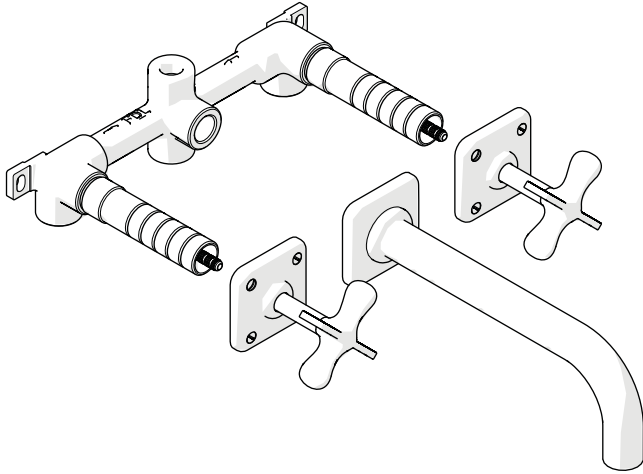
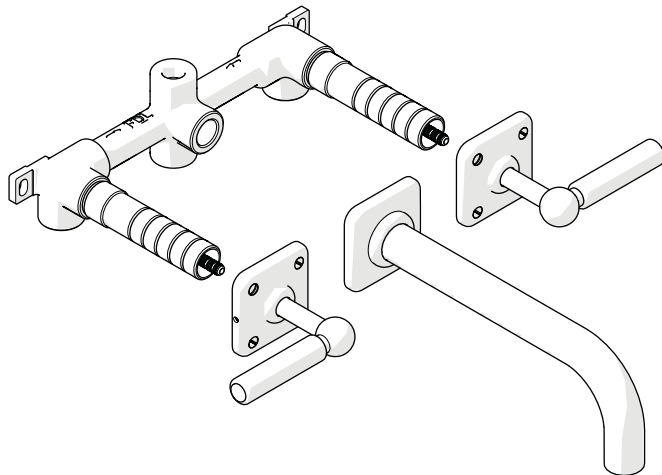


STYLE No. LDLS60, LD60LS⁺
with Metal Cross Handles**LDLS60 INCLUDES:**

- Ludlow Low Profile Three Hole Wall Mounted Lavatory Faucet with Metal Cross Handles
 - **STYLE No. LDLS6C** and
- Universal Lavatory Wall Mounted Rough Valve
 - **STYLE No. GULV27**

LD60LS⁺ INCLUDES:

- Ludlow Low Profile Three Hole Wall Mounted Lavatory Faucet with Metal Cross Handles
 - **STYLE No. LD6CLS⁺** and
- Universal Lavatory Wall Mounted Rough Valve
 - **STYLE No. GU27LV⁺**

STYLE No. LDLS70, LD70LS⁺
with Metal Lever Handles**LDLS70 INCLUDES:**

- Ludlow Low Profile Three Hole Wall Mounted Lavatory Faucet with Metal Lever Handles
 - **STYLE No. LDLS7C** and
- Universal Lavatory Wall Mounted Rough Valve
 - **STYLE No. GULV25**

LD70LS⁺ INCLUDES:

- Ludlow Low Profile Three Hole Wall Mounted Lavatory Faucet with Metal Lever Handles
 - **STYLE No. LD7CLS⁺** and
- Universal Lavatory Wall Mounted Rough Valve
 - **STYLE No. GU25LV⁺**

SPECIFICATIONS:

Control Valve Rough-in Depth Minimum: 2-5/8" [67mm]
 Control Valve Rough-in Depth Maximum: 5-1/2" [140mm]
 Drain Depth Minimum: 1-1/2" [38mm][†]
 Drain Depth Maximum: 2-1/8" [54mm][†]
 Drain Hole Diameter: Ø1-1/2" [38mm][†]
 Drain Style: Push Touch (Drain Included)
 Fittings Hole Diameter: Ø1-3/8" [35mm]
 Handle Spread: 8" [203mm] (NOT ADJUSTABLE)
 Inlet Connection (Spout): 1/2" Female NPT[†]
 Inlet/Outlet Connection (Valve): 1/2" Female NPT[†]
 Restricted Maximum Flow Rate: 1.2gpm [4.5L/min]
 Water Pressure Minimum: 20psi [1.5 bar]
 Water Pressure Maximum: 85psi [6.0 bar]
 Water Pressure Recommended: 45psi [3.0 bar]

[†] UK Style No. **LD60LS** and **LD70LS** are supplied with an alternate DRAIN, 1 **BSPP ADAPTER** for the SPOUT, and 3 **BSPP ADAPTERS** for the VALVE. The ADAPTERS are packaged separately and assembly is required.

- Inlet Connection (Spout): 1/2" Male BSPP
- Inlet/Outlet Connection (Valve): 1/2" Female BSPP
- Drain Depth: 10mm MIN - 51mm MAX
- Drain Hole Diameter: Ø44mm

IMPORTANT:

- To ensure this product is installed properly, you must read and follow these guidelines.
- The owner/user of this product must keep this information for future reference.
- This product must be installed by a professional licensed contractor. Be sure your installation conforms to all federal, state, and local codes. In the State of Massachusetts, all installations must comply with the rules and regulations set forth within 248 CMR.
- This product must be on-site prior to rough-in. This allows the installer to visualize the installation and verify the 8" center spread.
- Refer to the specification and assembly drawings attached. Product is sold partially assembled but shown fully disassembled for illustrative and service purposes only.
- Inspect the product to ensure you have all the parts required for proper installation.
- Use only a strap wrench or protected/smooth-jaw wrench on any finished surface.

These guidelines have been prepared for the professional contractor to aid in the installation of:
LUDLOW LOW PROFILE THREE HOLE WALL MOUNTED LAVATORY FAUCET WITH METAL CROSS HANDLES AND VALVE (STYLE No. LDLS60, LD60LS) & LUDLOW LOW PROFILE THREE HOLE WALL MOUNTED LAVATORY FAUCET WITH METAL LEVER HANDLES AND VALVE (STYLE No. LDLS70, LD70LS).
 All dimensions are based on original specification and are subject to change and variation.
 Please consult your Design Associate for current specifications.

WATERWORKS
STUDIO

- The use of certain plumber's putty may stain stone or tile surfaces.

TRIM INSTALLATION:

1. Remove the TILE GUARDS and the O-RINGS from the VALVE as shown in Figure - 01.

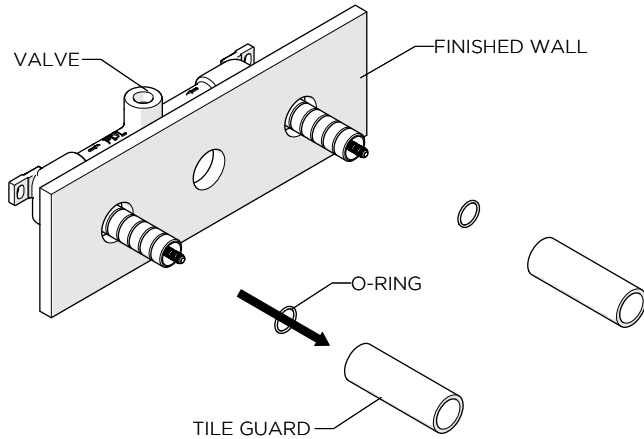


FIGURE - 01

- See Figure - 02 for Steps 2 - 4.

DIM	VALUE
A	1/4" [6mm]
B	1/2" [13mm]

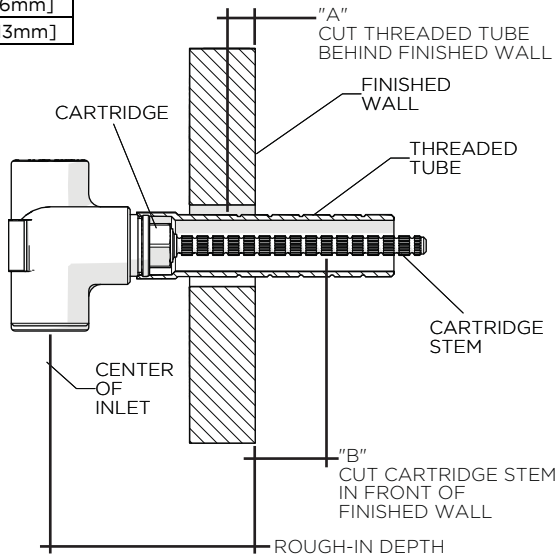


FIGURE - 02

2. Mark the THREADED TUBES as shown then remove and cut the TUBES.
3. Mark the CARTRIDGE STEMS as shown then remove the CARTRIDGES and cut the STEMS.
4. Thread and securely tighten the CARTRIDGES into the VALVE and then thread the TUBES back onto the CARTRIDGES.

5. Thread a 1/2" NPT x 1/2" NPT NIPPLE[†] (not included) into the spout outlet of the VALVE as shown below.

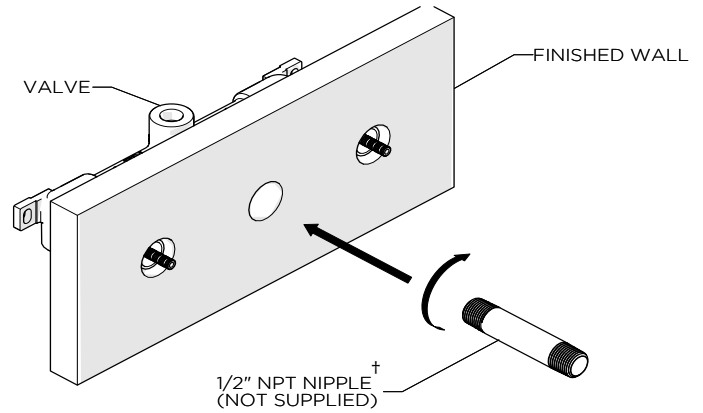


FIGURE - 03

6. Ensure the front face of the NIPPLE[†] is 1/2" from the finished wall as shown below.

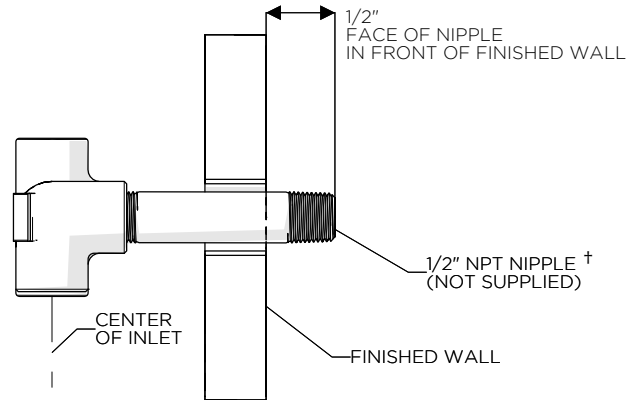


FIGURE - 04

7. Slide the ESCUTCHEON up the SPOUT then thread the SPOUT onto the NIPPLE[†]. Make sure the O-RING is behind the ESCUTCHEON as shown below.

NOTE: A 1.2gpm AERATOR is located inside the SPOUT.

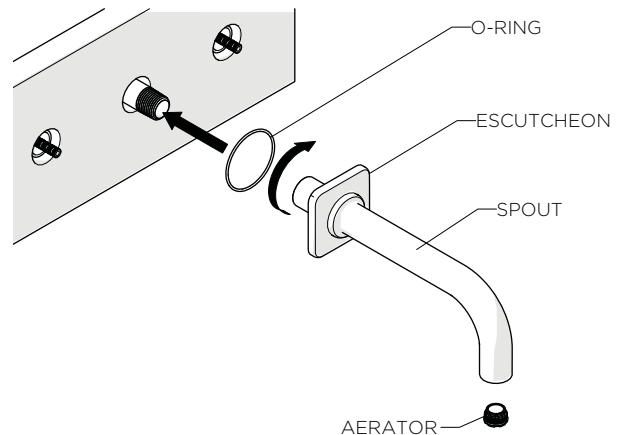


FIGURE - 05

These guidelines have been prepared for the professional contractor to aid in the installation of:
LUDLOW LOW PROFILE THREE HOLE WALL MOUNTED LAVATORY FAUCET WITH METAL CROSS HANDLES AND VALVE (STYLE No. LDLS60, LD60LS) & LUDLOW LOW PROFILE THREE HOLE WALL MOUNTED LAVATORY FAUCET WITH METAL LEVER HANDLES AND VALVE (STYLE No. LDLS70, LD70LS).
All dimensions are based on original specification and are subject to change and variation.
Please consult your Design Associate for current specifications.

8. Thread the TRIM ADAPTER onto the THREADED TUBE making sure to include the O-RING and securely tighten as shown below.

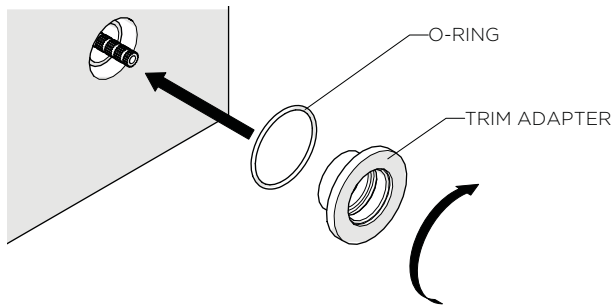


FIGURE - 06

- See Figure - 07 for Steps 9 - 11.

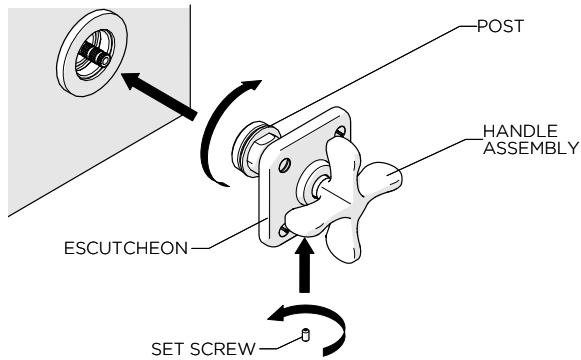


FIGURE - 07

9. Slide the ESCUTCHEON up the HANDLE STEM to expose the threaded POST at the base. Place the HANDLE STEM onto the CARTRIDGE STEM then, with the HANDLE in the desired orientation, thread the POST into the TRIM ADAPTER until fully seated. Make sure to securely tighten the POST.
10. Push the ESCUTCHEON against the finished wall and securely tighten the SET SCREW using a 1/16" HEX KEY.

NOTE: If desired, a bead of caulk or a clear silicone may be applied where the ESCUTCHEON contacts the finished wall. The use of certain plumber's putty may stain stone or tile surfaces.

11. Repeat Step 8 - 10 to install the second HANDLE.
12. For LDLS60 and LDLS70 installation proceed to Step 13 or for LD60LS and LD70LS proceed to Step 19.

LDLS60 & LDLS70 DRAIN INSTALLATION:

- See Figure - 08 for Steps 13 - 17.

13. Remove the TAILPIECE, NUT, PLASTIC WASHER and RUBBER GASKET from DRAIN FLANGE

NOTE: The FOAM WASHER can be discarded.

14. Set the DRAIN FLANGE in the lavatory using putty or a clear adhesive silicone.
15. Re-attach the RUBBER GASKET, PLASTIC WASHER and NUT. Tighten the NUT, making sure the GASKET makes a full seal on the underside of the lavatory.
16. NOTE: Putty or a clear adhesive silicone may be used to ensure a watertight seal between the GASKET and lavatory.
17. Re-attach the TAILPIECE to the DRAIN FLANGE and connect to p-trap (SOLD SEPERATELY).
18. Proceed to Step 25.

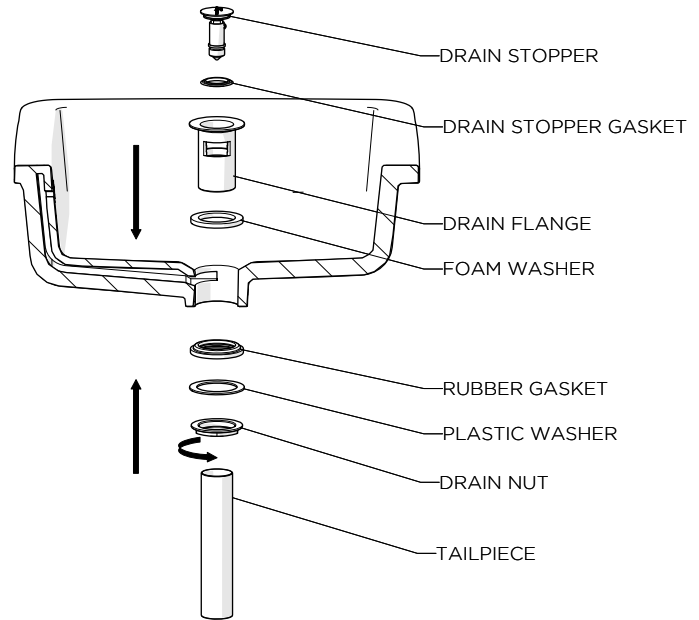


FIGURE - 08

LD60LS & LD70LS DRAIN INSTALLATION:

- See Figure - 09 for Steps 19 - 24.

19. Remove the TAILPIECE from the LOWER DRAIN BODY.
20. Unthread and remove the DRAIN STOPPER and LOWER DRAIN BODY from the DRAIN FLANGE.

NOTE: The FOAM WASHER can be discarded.

21. Set the DRAIN FLANGE in the lavatory drain opening using putty or a clear adhesive silicone.
22. Re-install the LOWER DRAIN BODY making sure to use the GASKET provided. Ensure the GASKET makes a full seal on the underside of the lavatory then securely tighten the SCREW using a 5/32" or 4mm hex key.

NOTE: Putty or a clear adhesive silicone may be used to ensure a water-tight seal between the RUBBER GASKET and lavatory.

23. Re-install the TAILPIECE using the WASHER and NUT provided and re-install the STOPPER.
24. Connect the TAILPIECE to the p-trap (sold separately).

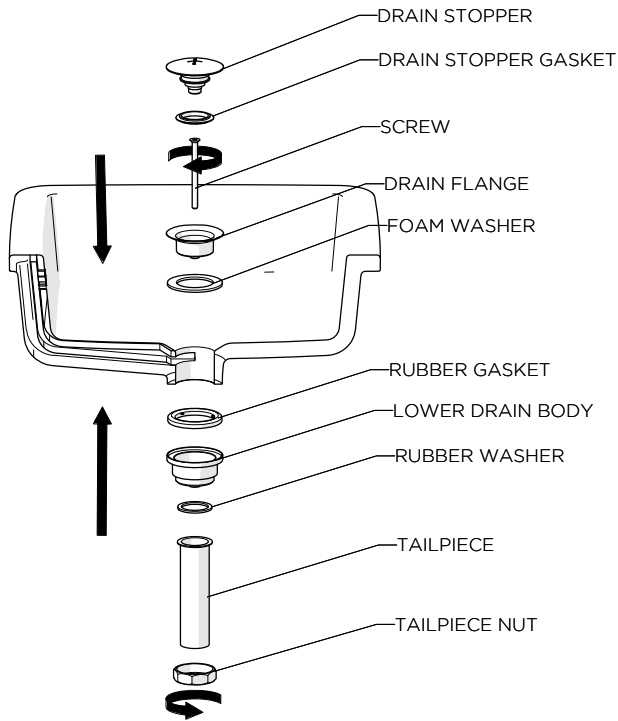


FIGURE - 09

INSPECT AND FINISH THE INSTALLATION:

25. Remove the AERATOR using the tool provided and then carefully open the hot and cold water supplies to flush out any debris in the supply lines.
26. Operate both HANDLES to ensure they are functioning properly.
27. Inspect all connections for leaks.
28. Close the DRAIN and fill the lavatory with water to make sure the DRAIN STOPPER operates and seals properly.
29. Turn off the water and re-install the AERATOR.
30. Push the ESCUTCHEON on the SPOUT against the finished wall.

NOTE: An O-RING for the ESCUTCHEON is provided. If desired, a bead of caulk or a clear silicone may be applied where the ESCUTCHEON contacts the finished wall. The use of certain plumber's putty may stain stone or tile surfaces.

- If further assistance is required, please contact Product Support at 1-800-927-2120 Monday through Friday, 8am - 6pm EST.

- Refer to the separate Service Parts Documents for available replacement parts.
- The **BSPP** adapter provided with the SPOUT for **LD60LS** and **LD70LS** can be ordered separately:
 - Universal 1/2" NPT Male x 1/2" BSP 50mm Long Male Nipple Adapter
STYLE No. UNUK04

These guidelines have been prepared for the professional contractor to aid in the installation of:
LUDLOW LOW PROFILE THREE HOLE WALL MOUNTED LAVATORY FAUCET WITH METAL CROSS HANDLES AND VALVE (STYLE No. LDLS60, LD60LS) & LUDLOW LOW PROFILE THREE HOLE WALL MOUNTED LAVATORY FAUCET WITH METAL LEVER HANDLES AND VALVE (STYLE No. LDLS70, LD70LS).
All dimensions are based on original specification and are subject to change and variation.
Please consult your Design Associate for current specifications.

WATERWORKS
STUDIO