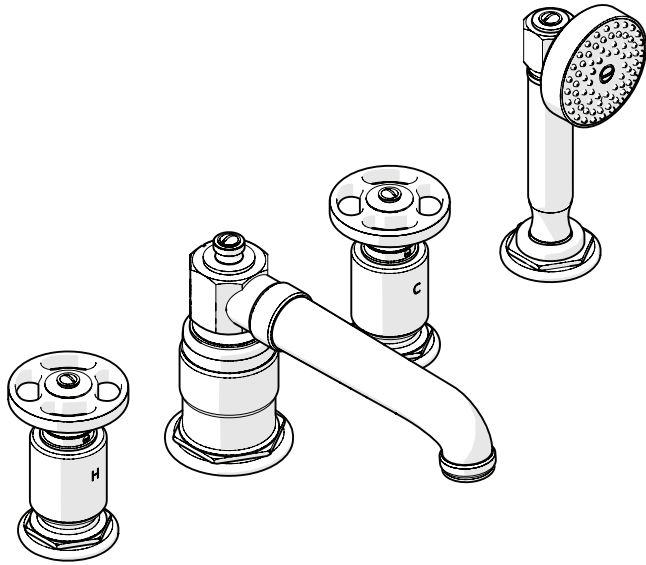


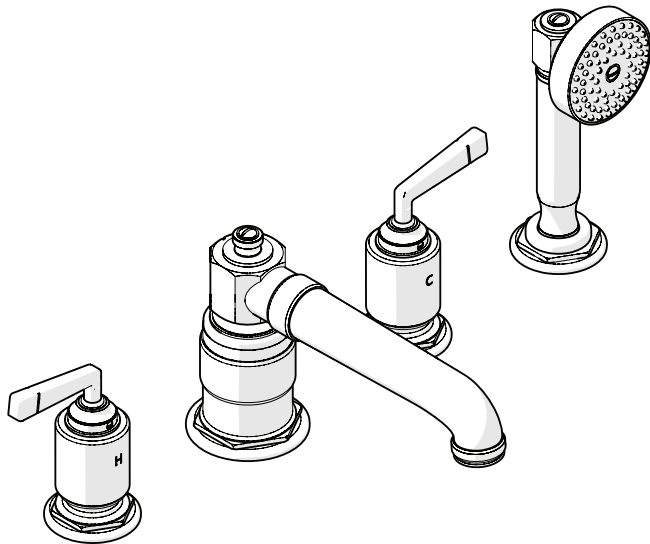
Metal Wheel Handles

STYLE No. RWTF01



Metal Lever Handles

STYLE No. RWTF10

**SPECIFICATIONS:**

Fitting Hole Diameter: Ø1-3/8" [35mm]

Handle Spread: 12" [305mm] **MAX**Handle Spread: 8" [203mm] **MIN**

Inlet Connection Size: 3/4" [19mm]

Inlet Connection Type: Male NPT

Deck Thickness: 1-1/16" [27mm] **MAX**Deck Thickness: 3/8" [10mm] **MIN**

Recommended Water Pressure: 45psi

Spout Reach: 7-1/2" [191mm]

**IMPORTANT:**

- **NOTE:** The screw on the top of the handle assembly, on the front of the handle assembly, on the top of the spout assembly, and on top of the handshower are aesthetic and do **not** serve any mechanical purpose and should **not** be removed.
- To ensure this product is installed properly, you must read and follow these guidelines.
- The owner/user of this product must keep this information for future reference.
- Be sure your installation conforms to federal state, and local codes. In the State of Massachusetts, all installations must comply with the rules and regulations set forth within 248 CMR.
- This product must be installed by a professional licensed contractor.
- Product should be on-site prior to rough-in. This allows the installer to visualize the installation and verify the center spread.
- Check tub deck and tub measurements to assure the spout projects far enough into the tub.
- Inspect this product to ensure you have all the parts required for proper installation.
- Use only a strap wrench or protected/smooth-jaw wrench on any finished surface.
- For proper installation, the deck surface should be installed prior to mounting this product.
- An access panel is required for future servicing.
- Install accessible hot and cold service stop valves to facilitate servicing.
- Run 3/4" SUPPLY LINES for **maximum** flow.
- **DO NOT** use putty on deck fittings. Upper and lower washers are provided.

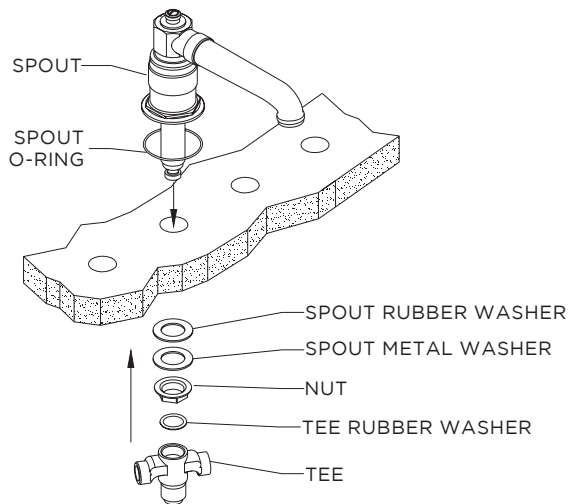
These guidelines have been prepared for the professional contractor to aid in the installation of: RW ATLAS LOW PROFILE CONCEALED TUB FILLER WITH HANDSHOWER WITH METAL WHEEL HANDLES (STYLE No. RWTF01) & METAL LEVER HANDLES (STYLE No. RWTF10). All dimensions are based on original specification and are subject to change and variation. Please consult your Design Associate for current specifications. SEE SERVICE PART DOCUMENT FOR PART ORDERING, AVAILABLE ON WATERWORKS.COM

WATERWORKS

**SPOUT INSTALLATION:**

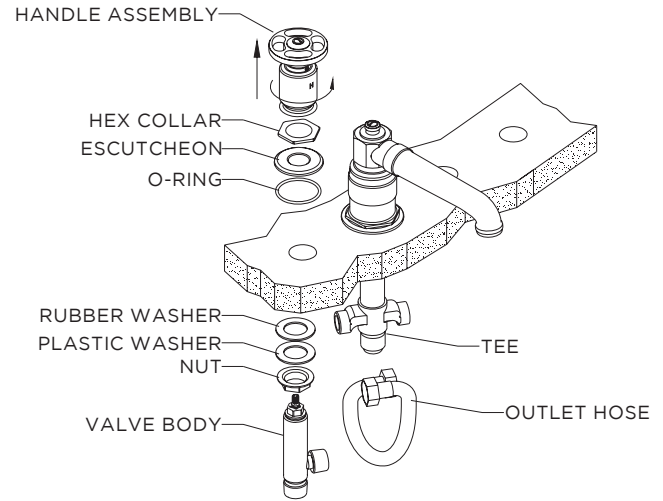
- See Figure 1. for Steps 1-3.
1. Remove the tee, tee rubber washer, nut, metal washer & spout rubber washer from the bottom of the spout.
  2. Insert the spout into the hole on the mounting surface making sure the o-ring is underneath the spout.
  3. Re-install rubber washer, metal washer and tighten the nut, to secure the spout. Re-attach the tee making sure the rubber washer is in the outlet.

FIGURE - 01

**HANDLE INSTALLATION:**

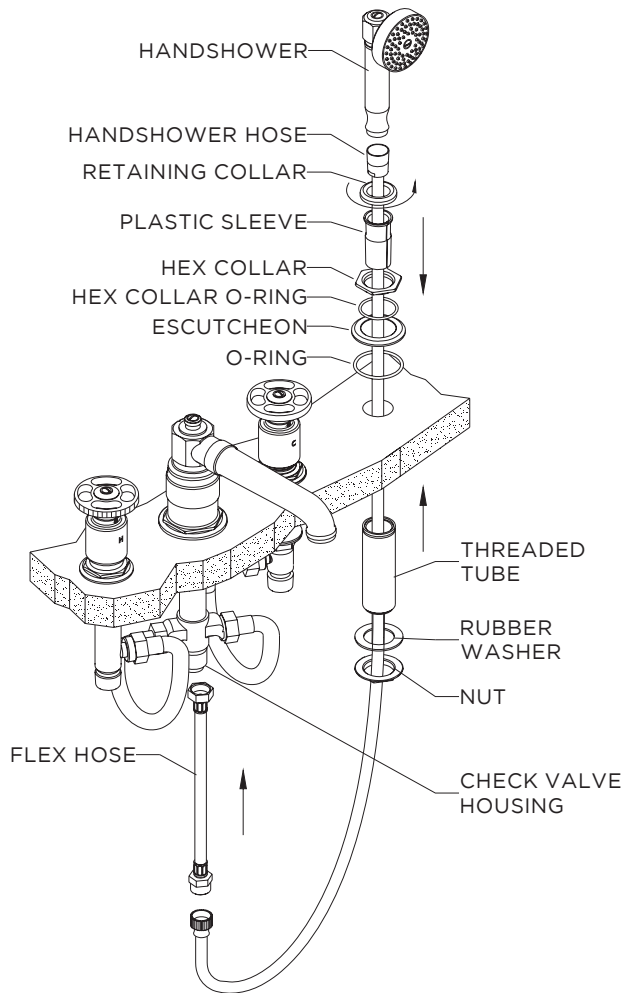
- See Figure 2. for Steps 4-9.
4. Unthread the handle assembly from the valve body, also removing the hex collar, escutcheon and o-ring.
  5. Thread the nut all the way down the valve body and insert it through the hole on the underside of the deck. When the valve body is sticking through the hole, thread on the escutcheon making sure the oring is between it and the deck.
  6. Thread the handle assembly onto the cartridge of the valve body, making sure the hex collar is between the handle assembly and the escutcheon.
  7. If there is a gap between the handle assembly and hex collar, un-thread the escutcheon up to meet the handle assembly.
  8. Tighten the nut up against the bottom of the deck to secure the handle.
  9. Connect outlet hose from valve body side outlet to tee.
  10. Connect 3/4" SUPPLY LINE (**NOT SUPPLIED**) to bottom inlet on side valve.
  11. Repeat steps 4-8 to install second handle.

FIGURE - 02

**HANDSHOWER INSTALLATION:**

- See Figure 3. for Steps 12-18.
12. Remove the nut and rubber washer from the bottom of the threaded tube. Unthread the retaining collar from the top of the threaded tube and remove the plastic sleeve.
  13. Loosen the hex collar and insert the threaded tube along with the escutcheon and hex collar into the hole in the deck, making sure the o-ring is between the escutcheon and the deck.
  14. Re-attach the rubber washer and nut to the threaded tube from under the deck.
  15. Slide the retaining collar over the conical end of the handshower hose and insert the hose into the plastic sleeve. Pass the knurled end of the hose through the threaded tube until the plastic sleeve is fully seated inside the threaded tube. Thread the retaining collar back onto the threaded tube.
  16. Thread the hex collar up until it touches the retaining collar, then fully tighten the nut to secure the assembly to the deck.
  17. Connect the conical end of the hose to the handshower.
- NOTE:** A flow restricting check valve is located in the inlet of the handshower.
18. Connect the female end of the flex hose to the check valve housing on the tee, then connect the knurled end of the handshower hose to the male end of the flex hose.

FIGURE - 03



- See service part document for parts ordering, available on [WATERWORKS.COM](http://WATERWORKS.COM).

**INSPECT THE INSTALLATION:**

19. Inspect all connections for **leaks**.
20. Make sure the hoses are tight and are **not** pinched/kinked.
  - The hex collars on the bottoms of the handle assembly, the bottom of the spout assembly, and the bottom of the handshower deck return can be rotated after installation to orientate the hexes so they are straight.
  - The handle barrels can also be rotated to the proper orientation to align the "H" & "C".

**NOTE:** The screw on the top of the handle assembly, on the front of the handle assembly, on the top of the spout assembly, and on top of the handshower are aesthetic and do **not** serve any mechanical purpose and should **not** be removed.

- \* Putty contains oils and can cause permanent discoloration on certain materials such as marble, granite and any porous surface.
- **If further assistance is required, please contact Product Support at 1-800-927-2120 (8am-6pm EST).**

These guidelines have been prepared for the professional contractor to aid in the installation of: **RW ATLAS LOW PROFILE CONCEALED TUB FILLER WITH HANDSHOWER WITH METAL WHEEL HANDLES (STYLE No. RWTF01) & METAL LEVER HANDLES (STYLE No. RWTF10).** All dimensions are based on original specification and are subject to change and variation. Please consult your Design Associate for current specifications. **SEE SERVICE PART DOCUMENT FOR PART ORDERING, AVAILABLE ON WATERWORKS.COM**

# WATERWORKS